

Project

Date Product Code

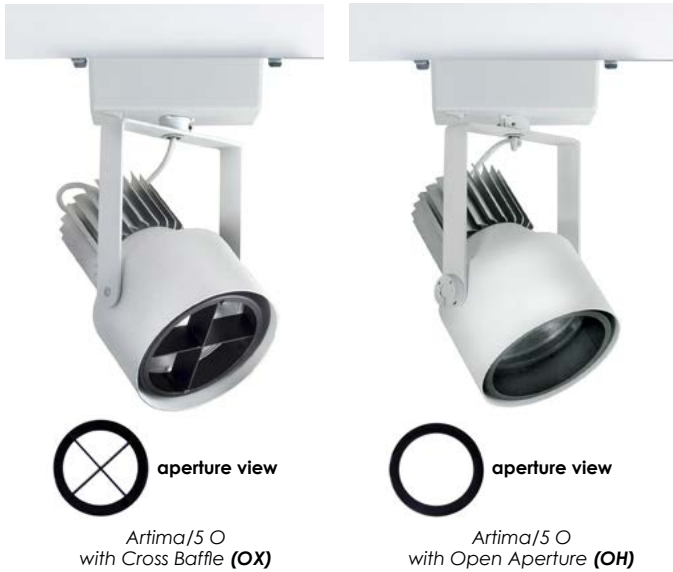
Type

Designer



ARTIMA®/5 O

track mounted LED accent light



Artima/5 O is a track mounted cross-baffled accent light capable of 16° to 40° beam spreads. Luminaire is powered by Citizen chip-on-board LED's providing either a CRI of 97 within 2-step MacAdam ellipses or a CRI of 80 within 3-step MacAdam ellipses. See tables on reverse for wattages and efficacies.

- Luminaire may be configured to mount to any of eighteen 20-amp, 120-volt track systems – or – to any of six 277-volt track systems.
- Luminaire may be ordered with one of a number of drivers. An on-off rocker switch, mounted in the driver case, is included standard on luminaires equipped for 120-volt track only.
- Fixture function can be changed with your choice of Aperture Assembly and your choice of 'twist and lock' reflector.
- Aperture Assembly / Reflector choices
 - Cross Baffle (OX) for enhanced glare control; for use with interchangeable 16°, 28° and 40° reflectors.
 - Open Aperture (OH) for maximum efficacy; for use with interchangeable 16°, 28° and 40° reflectors.
- Fixture is provided with a single Aperture Assembly and a single reflector. Additional reflectors may be ordered as accessories.
- Optical Accessories: Both OX and OH Aperture Assemblies accept one or two of a number of spread lenses or color filters. With the OX assembly lens orientation may be adjusted by rotating the cross baffle. A complimentary beam smoother is included with either assembly.
- Luminaire provides 385° horizontal rotation and vertical adjustment from 0° to 90°. Lamp focus can be locked by tightening two collar clamps using a 9/64" hex key.
- For more information, [click here](#).

For an outlet box mounted model, see [Artima/5 O-OBM](#).

PRODUCT CODE

For complete product code, list basic unit and select one item from each following box.

Basic Unit	A5*CZS2
Track Configuration	
120-volt track (e.g. SightLine)	+2C
277-volt track (e.g. HighLine)	no switch; not dimmable +HC
Finish	
white: white paint, white lead cord, matte aluminum heat sink; white switch	- WH
black: black paint, black lead cord, black heat sink; black switch	- BL
Industrial Silver: silver paint, black lead cord, black heat sink; black switch	- SI
custom color: include paint number or physical chip with order and select one from below	
• white lead cord, matte aluminum heat sink; white switch	- CCW
• black lead cord, black heat sink; black switch	- CCB
• any other combinations require a special order	
Aperture Assembly	
Cross Baffle	- OX
Open Aperture	- OH
Beam Spread Reflector (specify one to ship with fixture)	
16° spot	- 16D
28° narrow flood	- 28D
40° flood	- 40D
Driver	
dimmable to 5% with either incandescent or electronic low voltage (ELV) dimmer on 120-volt track	- DMP
dimmable to 1% (see Light Source Output box below) with a Lutron® incandescent dimmer on 120-volt track	- DM1LU
For a model that dims wirelessly; see Artima/5 O Bluetooth	
For a model with an integral dimmer; see IDM Artima/5 O	
Light Source Output (Lumens)	
2100 lumens/97 CRI ... 2700K, 3000K & 4000K only	- L21A
2800 lumens/97 CRI ... 2700K, 3000K & 4000K only	- L28A
3000 lumens/97 CRI ... 2700K, 3000K & 4000K only	- L30A
3900 lumens/97 CRI ... 2700K, 3000K & 4000K only	- L39A
2700 lumens/80 CRI	- L27S
3600 lumens/80 CRI	- L36S
4000 lumens/80 CRI	- L40S
5100 lumens/80 CRI	- L51S
Light Color	
2700 K	- 27K
3000 K	- 30K
3500 K	- 35K
4000 K	- 40K
5000 K	- 50K
► For luminaires modified for 50A or 60A track systems, contact factory.	
EXTRA APERTURES & REFLECTORS	
Specify as separate line items.	
Aperture Assembly	
Cross Baffle	RK-A5-CZ-OX
Open Aperture	RK-A5-CZ-OH
16° spot reflector	
28° narrow flood reflector	
40° flood reflector	



OPTICAL ACCESSORIES

Specify as separate line items.
All are 4 3/4" (121 mm) diameter. Lenses and filters are glass; screens are aluminum.

30° spread lens	LENS/4.75-30
20° x 55° spread lens	LENS/4.75
70° spread lens	LENS/4.75-70
prismatic lens (Solite)	PLS/4.75
40° x 70° spread lens	LENS/4.75-4070
beam smoother	included with fixture CLR/4.75
color filters	
Daylight Blue	DAY/4.75
Surprise Pink	PNK/4.75
amber	AMB/4.75
blue	BLU/4.75
green	GRN/4.75
red	RED/4.75
33% light reduction screen	SCR33/4.75
50% light reduction screen	SCR50/4.75

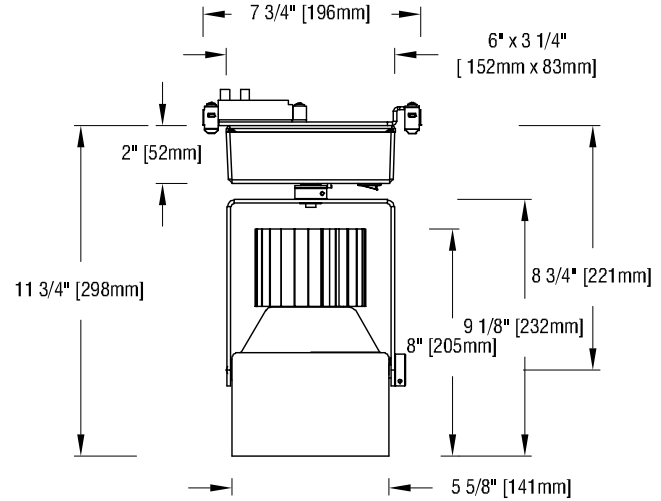
BARN DOORS

Specify as separate line items.
Specify with one optical accessory (not included), see above.

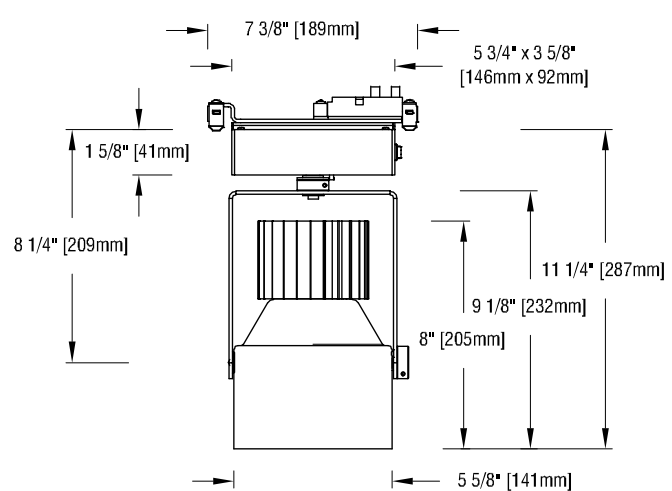
white	BD-A5-WH
black	BD-A5-BL
silver	BD-A5-SI
custom color	BD-A5-CC



DMP model



DMI-LU model



APPLICATIONS

Luminaire is suitable for highlighting vertical or horizontal surfaces, as well as objects in museums, galleries, showrooms, residences, offices and stores.

Luminaire is listed for mounting on Edison Price Lighting 120-volt or 277-volt track.

Fixture Spacing Requirements The track adapter of this fixture is 7 3/4" long. For this reason 1) it cannot be track-mounted closer than 8" on center and 2) it cannot be used with 2 of our 7 **Unicep** single-fixture track units.

Warranty Details

- This fixture is not suitable for use in direct sunlight, as under a skylight. Fixtures used in this way are not covered by our warranty.
- Our 5-year warranty does not include the provision of extraordinary means of access, e.g. scaffolding or Genie lifts, to service a product.

– see below for photometric reports –



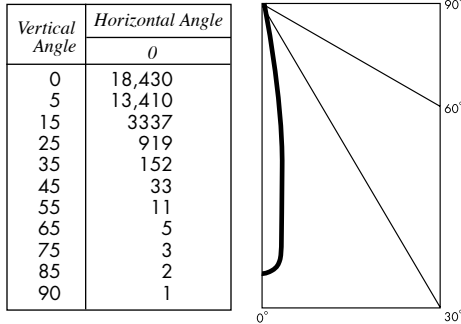
PHOTOMETRIC REPORT with 16° reflector (tested per IESNA LM-79-2008)



Prorated from Verification Services Report No. 12186406.04. Original test report furnished upon request.

Luminaire track-mounted LED accent light with a 16° reflector and black cross-baffle (NO LENS)
 Lamp Citizen LED, 5100 lumens, 3000K CCT
 Lamp Life rated 50.000 hours based on L70/B50 criteria. LM80 report by LED manufacturer furnished upon request

CANDLEPOWER DISTRIBUTION



LUMINAIRE LIGHT OUTPUT AND EFFICACY

LED Module Type	Luminaire Light Output	Luminaire CBCP	Luminaire Efficacy (lumens/watt)	System Wattage
2700 Lumens 80 CRI (L27S)	1396*	9768*	73*	19
3600 Lumens 80 CRI (L36S)	1870*	13,085*	69*	27
4000 Lumens 80 CRI (L40S)	2055*	14,375*	66*	31
5100 Lumens 80 CRI (L51S)	2634	18,430	59	45
2100 Lumens 97 CRI (L21A)	1159*	8109*	61*	19
2800 Lumens 97 CRI (L28A)	1422*	9952*	53*	27
3000 Lumens 97 CRI (L30A)	1580*	11,058*	51*	31
3900 Lumens 97 CRI (L39A)	2028*	14,191*	45*	45

*estimated values

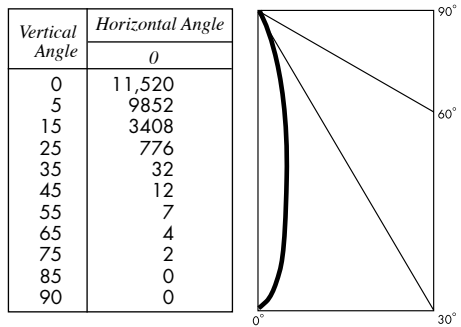
PHOTOMETRIC REPORT with 28° reflector (tested per IESNA LM-79-2008)



Verification Services Report No. 12186406.06. Original test report furnished upon request.

Luminaire track-mounted LED accent light with a 28° reflector and black cross-baffle (NO LENS)
 Lamp Citizen LED, 5100 lumens, 3000K Lamp Life..... see above

CANDLEPOWER DISTRIBUTION



LUMINAIRE LIGHT OUTPUT AND EFFICACY

LED Module Type	Luminaire Light Output	Luminaire CBCP	Luminaire Efficacy (lumens/watt)	System Wattage
2700 Lumens 80 CRI (L27S)	1205*	6106*	63*	19
3600 Lumens 80 CRI (L36S)	1614*	8179*	60*	27
4000 Lumens 80 CRI (L40S)	1773*	8986*	57*	31
5100 Lumens 80 CRI (L51S)	2273	11,520	51	45
2100 Lumens 97 CRI (L21A)	1000*	5069*	53*	19
2800 Lumens 97 CRI (L28A)	1227*	6221*	45*	27
3000 Lumens 97 CRI (L30A)	1364*	6912*	44*	31
3900 Lumens 97 CRI (L39A)	1750*	8870*	39*	45

*estimated values

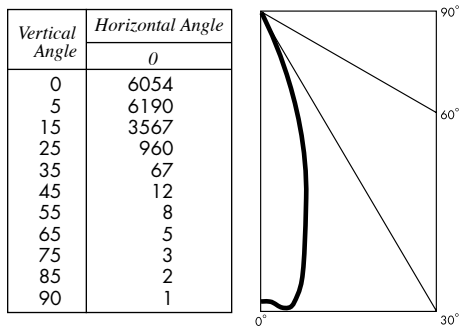
PHOTOMETRIC REPORT with 40° reflector (tested per IESNA LM-79-2008)



Verification Services Report No. 12186406.08. Original test report furnished upon request.

Luminaire track-mounted LED accent light with a 40° reflector and black cross-baffle (NO LENS)
 Lamp Citizen LED, 5100 lumens, 3000K Lamp Life..... see above

CANDLEPOWER DISTRIBUTION



LUMINAIRE LIGHT OUTPUT AND EFFICACY

LED Module Type	Luminaire Light Output	Luminaire CBCP	Luminaire Efficacy (lumens/watt)	System Wattage
2700 Lumens 80 CRI (L27S)	1118*	3281*	59*	19
3600 Lumens 80 CRI (L36S)	1497*	4395*	55*	27
4000 Lumens 80 CRI (L40S)	1645*	4828*	53*	31
5100 Lumens 80 CRI (L51S)	2109	6190	47	45
2100 Lumens 97 CRI (L21A)	928*	2724*	49*	19
2800 Lumens 97 CRI (L28A)	1139*	3343*	42*	27
3000 Lumens 97 CRI (L30A)	1265*	3714*	41*	31
3900 Lumens 97 CRI (L39A)	1624*	4766*	36*	45

*estimated values

PHOTOMETRIC REPORT with 16° reflector (tested per IESNA LM-79-2008)

Prorated from Verification Services Report No. 12186406.03. Original test report furnished upon request.

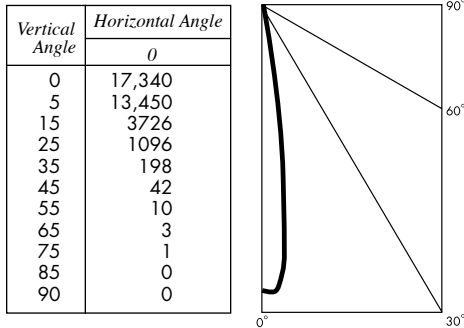
Luminaire track-mounted LED accent light with a 16° reflector and black lens holder (NO LENS)

Lamp Citizen LED, 5100 lumens, 3000K CCT

Lamp Life rated 50,000 hours based on L70/B50 criteria. LM80 report by LED manufacturer furnished upon request



CANDLEPOWER DISTRIBUTION



LUMINAIRE LIGHT OUTPUT AND EFFICACY

LED Module Type	Luminaire Light Output	Luminaire CBCP	Luminaire Efficacy (lumens/watt)	System Wattage
2700 Lumens 80 CRI (L27S)	1527*	9190*	80*	19
3600 Lumens 80 CRI (L36S)	2046*	12,311*	76*	27
4000 Lumens 80 CRI (L40S)	2247*	13,525*	72*	31
5100 Lumens 80 CRI (L51S)	2881	17,340	64	45
2100 Lumens 97 CRI (L21A)	1268*	7630*	67*	19
2800 Lumens 97 CRI (L28A)	1556*	9364*	58*	27
3000 Lumens 97 CRI (L30A)	1729*	10,404*	56*	31
3900 Lumens 97 CRI (L39A)	2218*	13,352*	49*	45

*estimated values

PHOTOMETRIC REPORT with 28° reflector (tested per IESNA LM-79-2008)

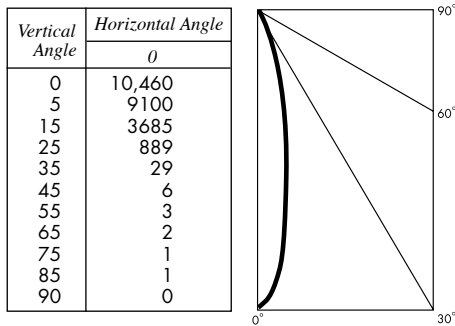
Verification Services Report No. 12186406.05. Original test report furnished upon request.

Luminaire track-mounted LED accent light with a 28° reflector and black lens holder (NO LENS)

Lamp Citizen LED, 5100 lumens, 3000K Lamp Life see above



CANDLEPOWER DISTRIBUTION



LUMINAIRE LIGHT OUTPUT AND EFFICACY

LED Module Type	Luminaire Light Output	Luminaire CBCP	Luminaire Efficacy (lumens/watt)	System Wattage
2700 Lumens 80 CRI (L27S)	1225*	5544*	64*	19
3600 Lumens 80 CRI (L36S)	1642*	7427*	61*	27
4000 Lumens 80 CRI (L40S)	1803*	8159*	58*	31
5100 Lumens 80 CRI (L51S)	2312	10,460	52	45
2100 Lumens 97 CRI (L21A)	1017*	4602*	54*	19
2800 Lumens 97 CRI (L28A)	1248*	5648*	46*	27
3000 Lumens 97 CRI (L30A)	1387*	6276*	45*	31
3900 Lumens 97 CRI (L39A)	1780*	8054*	40*	45

*estimated values

PHOTOMETRIC REPORT with 40° reflector (tested per IESNA LM-79-2008)

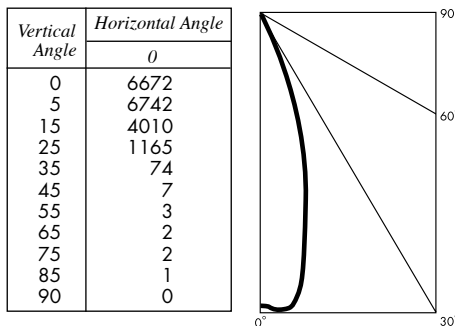
Verification Services Report No. 12186406.07. Original test report furnished upon request.

Luminaire track-mounted LED accent light with a 40° reflector and black lens holder (NO LENS)

Lamp Citizen LED, 5100 lumens, 3000K Lamp Life see above



CANDLEPOWER DISTRIBUTION



LUMINAIRE LIGHT OUTPUT AND EFFICACY

LED Module Type	Luminaire Light Output	Luminaire CBCP	Luminaire Efficacy (lumens/watt)	System Wattage
2700 Lumens 80 CRI (L27S)	1256*	3582*	66*	19
3600 Lumens 80 CRI (L36S)	1682*	4798*	62*	27
4000 Lumens 80 CRI (L40S)	1848*	5271*	60*	31
5100 Lumens 80 CRI (L51S)	2369	6758	53	45
2100 Lumens 97 CRI (L21A)	1042*	2974*	55*	19
2800 Lumens 97 CRI (L28A)	1279*	3649*	47*	27
3000 Lumens 97 CRI (L30A)	1421*	4055*	46*	31
3900 Lumens 97 CRI (L39A)	1824*	5204*	41*	45

*estimated values

STANDARD DRIVER INFORMATION (UL Class 2, dry and damp location)

Voltage	120	277
Input Watts (L27S/L36S/L40S/L51S/L21A/L28A/L30A/L39A)	19/27/31/45/19/27/31/45	19/27/31/45/19/27/31/45
Input Current(A) (L27S/L36S/L40S/L51S/L21A/L28A/L30A/L39A)	16/23/26/38/16/23/26/38	.07/10/11/16/07/10/11/16
Output Current (mA)	500-1100	500-1100
Min. Power Factor	0.90	0.90
Operating Temperature Range (F)	-4 to 122	-4 to 122

LIGHT OUTPUT MULTIPLIER

LED Module Type	Light Output Multiplier
2700 Lumens 80 CRI (L27S)	0.53*
3600 Lumens 80 CRI (L36S)	0.71*
4000 Lumens 80 CRI (L40S)	0.78*
5100 Lumens 80 CRI (L51S)	1
2100 Lumens 97 CRI (L21A)	0.44*
2800 Lumens 97 CRI (L28A)	0.54*
3000 Lumens 97 CRI (L30A)	0.6*
3900 Lumens 97 CRI (L39A)	0.77*