

Project

Type

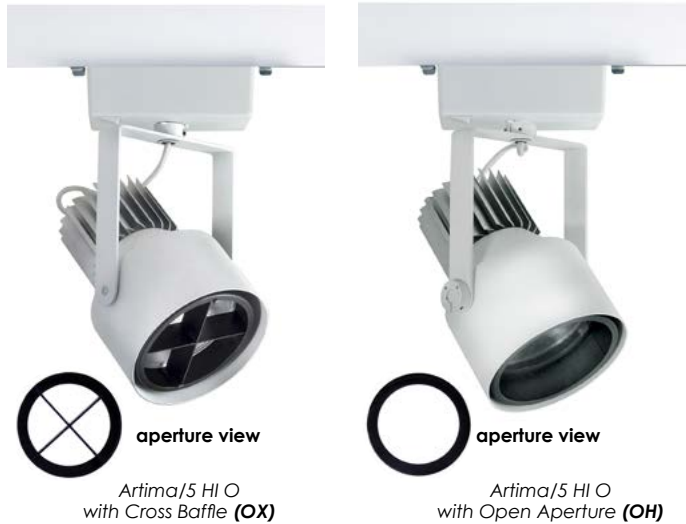


Date Product Code

Designer

ARTIMA®/5 HI O

track mounted LED accent light



Artima/5 HI O is a track mounted accent light powered by two sets of Citizen chip-on-board LED modules: one set providing a CRI of 97 within 2-step MacAdam ellipses; and one set providing a CRI of 80 within 3-step MacAdam ellipses. See tables on the reverse for wattages and efficiencies.

- Luminaire may be configured to mount to any of eighteen 20-amp, 120-volt track systems – or – to any of six 277-volt track systems.
- An on-off rocker switch, mounted in the driver case, is included standard on luminaires equipped for 120-volt track only.
- Fixture function can be changed with your choice of Aperture Assembly and your choice of 'twist and lock' reflector.
- Aperture Assembly/Reflector choices
 - Cross Baffle (OX) for enhanced glare control; for use with interchangeable 15°, 21° and 38° reflectors.
 - Open Aperture (OH) for maximum efficacy; for use with interchangeable 15°, 21° and 38° reflectors.
- Fixture is ordered with a single Aperture Assembly and a single reflector. Additional reflectors may be ordered as accessories.
- Optical Accessories: Both OX and OH Aperture Assemblies accept one or two of a number of spread lenses or color filters. With the OX assembly lens orientation may be adjusted by rotating the cross baffle. A complimentary beam smoother is included with either assembly.
- Luminaire provides 385° horizontal rotation and vertical adjustment from 0° to 90°. Lamp focus can be locked by tightening two collar clamps using a 9/64" hex key.
- For more information, [click here](#).

For an outlet box mounted model, see [Artima/5 HI O-OBM](#).

Warranty Details

- This fixture is not suitable for use in direct sunlight, as under a skylight. Fixtures used in this way are not covered by our warranty.
- Our 5-year warranty does not include the provision of extraordinary means of access, e.g. scaffolding or Genie lifts, to service a product.

PRODUCT CODE

For complete product code, list basic unit and select one item from each following box.

Basic UnitA5-CZL2

Track Configuration

120-volt track (e.g. SightLine) 2C
 277-volt track (e.g. HighLine) no switch; not dimmable HC

Finish

white: white paint, white lead cord, matte aluminum heat sink; white switch WH
 black: black paint, black lead cord, black heat sink; black switch BL
 Industrial Silver: silver paint, black lead cord, black heat sink; black switch SI
 custom color: include paint number or physical chip with order and select one from below

- white lead cord, matte aluminum heat sink; white switch CCW
- black lead cord, black heat sink; black switch CCB
- any other combinations require a special order

Aperture Assembly

Cross Baffle OX
 Open Aperture OH

Beam Spread Reflector (specify one to ship with fixture)

15° spot 15D
 21° narrow flood 21D
 38° flood 38D

Driver

dimnable to 10% with either incandescent or electronic low voltage (ELV) dimmer on 120-volt track DMP
 dimmable to 1% (see Light Output box below) by a 2-wire Lutron® compatible dimmer on 120-volt track DMLU
 For a model with an integral dimmer; see [IDM Artima/5 HI O](#)

Light Source Output (Lumens)

4300L / CRI 97 2700K, 3000K & 4000K only L43A
 5500L / CRI 97 2700K, 3000K & 4000K only DMP only L55A
 5600L / CRI 80 all light colors L56S
 7200L / CRI 80 all light colors DMP only L72S

Light Color

2700 K 27K
 3000 K 30K
 3500 K not available with all Light Outputs (see above) 35K
 4000 K not available with all Light Outputs (see above) 40K
 5000 K not available with all Light Outputs (see above) 50K

EXTRA APERTURES & REFLECTORS

Specify as separate line items.

Aperture Assembly

Cross Baffle RK-A5-CZ-OX
 Open Aperture RK-A5-CZ-OH

Reflector

15° spot RK-A5-CZL2-REF*15D
 21° narrow flood RK-A5-CZL2-REF*21D
 38° flood RK-A5-CZL2-REF*38D

OPTICAL ACCESSORIES ▼ See next page



OPTICAL ACCESSORIES

Specify as separate line items.
All are 4 3/4" (121 mm) diameter. Lenses and filters are glass; screens are aluminum.

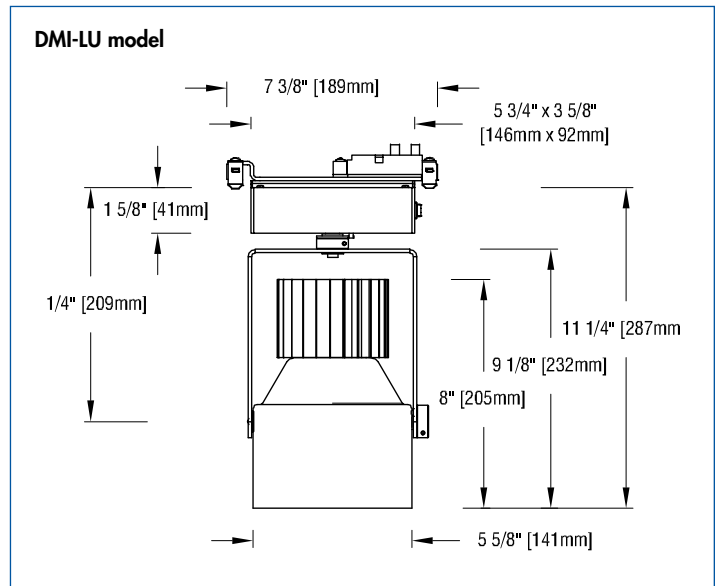
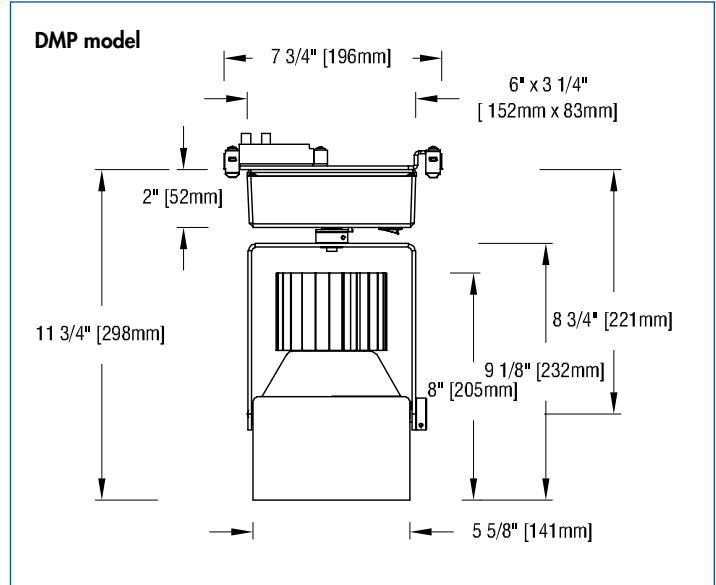
30° spread lens	LENS/4.75-30
20° x 55° spread lens	LENS/4.75
70° spread lens	LENS/4.75-70
prismatic lens (Solite)	PLS/4.75
40° x 70° spread lens	LENS/4.75-4070
beam smoother	included with fixture CLR/4.75
color filters	
Daylight Blue	DAY/4.75
Surprise Pink	PNK/4.75
amber	AMB/4.75
blue	BLU/4.75
green	GRN/4.75
red	RED/4.75
33% light reduction screen	SCR33/4.75
50% light reduction screen	SCR50/4.75

APPLICATIONS

Luminaire is suitable for highlighting vertical or horizontal surfaces, as well as objects in museums, galleries, showrooms, residences, offices and stores.

Luminaire is listed for mounting on Edison Price Lighting 120-volt or 277-volt track.

Fixture Spacing Requirements The track adapter of this fixture is 7 3/4" long. For this reason 1) it cannot be track-mounted closer than 8" on center and 2) it cannot be used with 2 of our 7 **Unicep** single-fixture track units.



– see below for photometric reports –



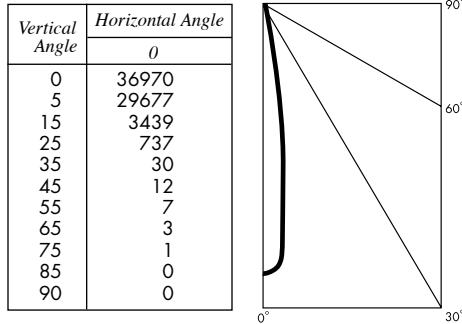
PHOTOMETRIC REPORT with 15° reflector (tested per IESNA LM-79-2008)



Prorated from Verification Services Report No. 717366. Original test report furnished upon request.

Luminaire track-mounted LED accent light with a 15° reflector and black cross-baffle (NO LENS)
 Lamp Citizen LED, 5600 lumens, 3000K CCT
 Lamp Life rated 50.000 hours based on L70/B50 criteria. LM80 report by LED manufacturer furnished upon request

CANDLEPOWER DISTRIBUTION



LUMINAIRE LIGHT OUTPUT AND EFFICACY

LED Module Type	Luminaire Light Output	Luminaire CBCP	Luminaire Efficacy (lumens/watt)	System Wattage
5600 Lumens 80 CRI (L56S)	3579	36,970	89	40
7200 Lumens 80 CRI (L72S)	4581*	47,322*	88*	52
4300 Lumens 97 CRI (L43A)	2720*	28,097*	68*	40
5500 Lumens 97 CRI (L55A)	3472*	35,861*	67*	52

*estimated values

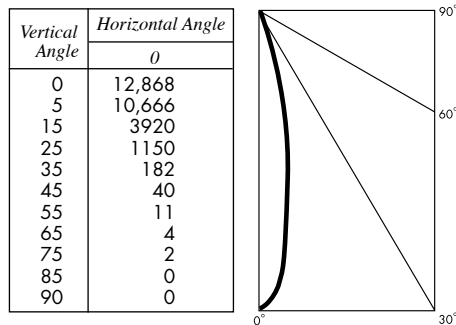
PHOTOMETRIC REPORT with 21° reflector (tested per IESNA LM-79-2008)



Verification Services Report No. 717365. Original test report furnished upon request.

Luminaire track-mounted LED accent light with a 21° reflector and black cross-baffle (NO LENS)
 Lamp Citizen LED, 5600 lumens, 3000K Lamp Life..... see above

CANDLEPOWER DISTRIBUTION



LUMINAIRE LIGHT OUTPUT AND EFFICACY

LED Module Type	Luminaire Light Output	Luminaire CBCP	Luminaire Efficacy (lumens/watt)	System Wattage
5600 Lumens 80 CRI (L56S)	2742	12,868	69	40
7200 Lumens 80 CRI (L72S)	3510*	16,471*	67*	52
4300 Lumens 97 CRI (L43A)	2084*	9780*	52*	40
5500 Lumens 97 CRI (L55A)	2660*	12,482*	51*	52

*estimated values

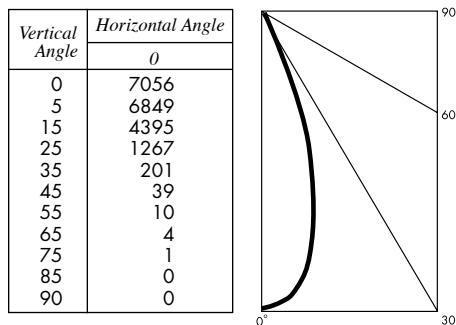
PHOTOMETRIC REPORT with 38° reflector (tested per IESNA LM-79-2008)



Verification Services Report No. 717367. Original test report furnished upon request.

Luminaire track-mounted LED accent light with a 38° reflector and black cross-baffle (NO LENS)
 Lamp Citizen LED, 5600 lumens, 3000K Lamp Life..... see above

CANDLEPOWER DISTRIBUTION



LUMINAIRE LIGHT OUTPUT AND EFFICACY

LED Module Type	Luminaire Light Output	Luminaire CBCP	Luminaire Efficacy (lumens/watt)	System Wattage
5600 Lumens 80 CRI (L56S)	2642	7056	66	40
7200 Lumens 80 CRI (L72S)	3382*	9032*	65*	52
4300 Lumens 97 CRI (L43A)	2008*	5363*	50*	40
5500 Lumens 97 CRI (L55A)	2563*	6844*	49*	52

*estimated values

PHOTOMETRIC REPORT with 15° reflector (tested per IESNA LM-79-2008)

Prorated from Verification Services Report No. 717362. Original test report furnished upon request.

Luminaire track-mounted LED accent light with a 15° reflector and black lens holder (NO LENS)

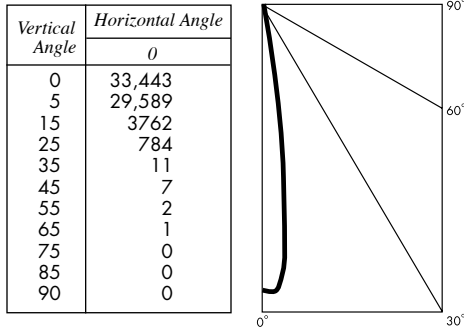
Lamp Citizen LED, 5600 lumens, 3000K CCT

Lamp Life rated 50,000 hours based on L70/B50 criteria. LM80 report by LED manufacturer furnished upon request

15°



CANDLEPOWER DISTRIBUTION



LUMINAIRE LIGHT OUTPUT AND EFFICACY

LED Module Type	Luminaire Light Output	Luminaire CBCP	Luminaire Efficacy (lumens/watt)	System Wattage
5600 Lumens 80 CRI (L56S)	3697	33,888	92	40
7200 Lumens 80 CRI (L72S)	4732*	43,377*	91*	52
4300 Lumens 97 CRI (L43A)	2810*	25,755*	70*	40
5500 Lumens 97 CRI (L55A)	3586*	32,871*	69*	52

*estimated values

PHOTOMETRIC REPORT with 21° reflector (tested per IESNA LM-79-2008)

Verification Services Report No. 717360. Original test report furnished upon request.

Luminaire track-mounted LED accent light with a 21° reflector and black lens holder (NO LENS)

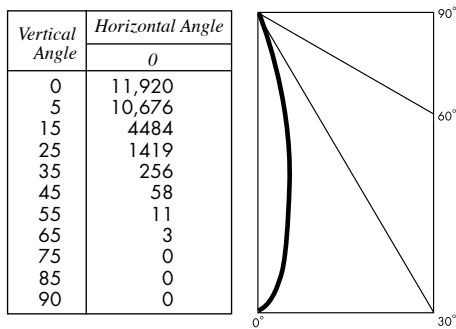
Lamp Citizen LED, 5600 lumens, 3000K

Lamp Life see above

21°



CANDLEPOWER DISTRIBUTION



LUMINAIRE LIGHT OUTPUT AND EFFICACY

LED Module Type	Luminaire Light Output	Luminaire CBCP	Luminaire Efficacy (lumens/watt)	System Wattage
5600 Lumens 80 CRI (L56S)	3092	11,920	77	40
7200 Lumens 80 CRI (L72S)	3958*	15,258*	76*	52
4300 Lumens 97 CRI (L43A)	2350*	9059*	59*	40
5500 Lumens 97 CRI (L55A)	2999*	11,562*	58*	52

*estimated values

PHOTOMETRIC REPORT with 38° reflector (tested per IESNA LM-79-2008)

Verification Services Report No. 717363. Original test report furnished upon request.

Luminaire track-mounted LED accent light with a 38° reflector and black lens holder (NO LENS)

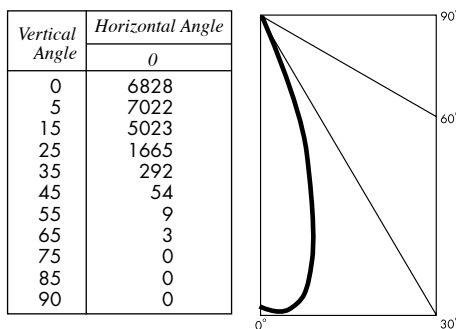
Lamp Citizen LED, 5600 lumens, 3000K

Lamp Life see above

38°



CANDLEPOWER DISTRIBUTION



LUMINAIRE LIGHT OUTPUT AND EFFICACY

LED Module Type	Luminaire Light Output	Luminaire CBCP	Luminaire Efficacy (lumens/watt)	System Wattage
5600 Lumens 80 CRI (L56S)	3084	6828	77	40
7200 Lumens 80 CRI (L72S)	3948*	8740*	76*	52
4300 Lumens 97 CRI (L43A)	2344*	5189*	59*	40
5500 Lumens 97 CRI (L55A)	2991*	6623*	58*	52

*estimated values

STANDARD DRIVER INFORMATION (UL Class 2, dry and damp location)

Voltage	120	277
Input Watts (L56S/L72S/L43A/L55A)	40/52/40/52	40/52/40/52
Input Current(A) (L56S/L72S/L43A/L55A)	.33/.43/.33/.43	.14/.19/.14/.19
Output Current (mA)	350-940	350-940
Min. Power Factor	0.90	0.90
Operating Temperature Range (F)	-4 to 122	-4 to 122

LIGHT OUTPUT MULTIPLIER

LED Module Type	Light Output Multiplier
5600 Lumens 80 CRI (L56S)	1
7200 Lumens 80 CRI (L72S)	1.28*
4300 Lumens 97 CRI (L43A)	.76*
5500 Lumens 97 CRI (L55A)	.97*