

Project

Type



Date

Product Code

Designer

IDM ARTIMA®/5 HI W

track mounted LED wallwasher with integral dimmer



IDM Artima/5 HI W is a track mounted wallwasher powered by Citizen chip-on-board LED's providing either a CRI of 97 within 2-step MacAdam ellipses or a CRI of 80 within 3-step MacAdam ellipses. See tables on the reverse for wattages and efficiencies.

PRODUCT CODE

For complete product code, list basic unit and select one item from each following box.

Basic UnitIDM-A5-CZL2-W

Track Configuration
120-volt track (e.g. SightLine) 2C
277-volt track (e.g. HighLine) no switch; not dimmable HC

Finish
white: white paint, white lead cord, matte aluminum heat sink; white switch WH
black: black paint, black lead cord, black heat sink; black switch BL
Industrial Silver: silver paint, black lead cord, black heat sink; black switch SI
custom color: include paint number or physical chip with order and select one from below
• white lead cord, matte aluminum heat sink; white switch CCW
• black lead cord, black heat sink; black switch CCB
• any other combinations require a special order

Light Source Output (Lumens)
4300L / CRI 972700K, 3000K & 4000K only L43A
5600L / CRI 80all light colors L56S

Light Color
2700 K 27K
3000 K 30K
3500 K not available with all Light Outputs (see above) 35K
4000 K not available with all Light Outputs (see above) 40K
5000 K not available with all Light Outputs (see above) 50K

Dimming Notes:
• Fixture may be dimmed only by its integral dimmer.
• Fixture cannot be dimmed by a dimmer of any kind on the track circuit.
• Fixture may be damaged by use of an incandescent or ELV dimmer on the track circuit.
• Fixture will not be dimmed or damaged by use of a 0-10V dimmer on the track circuit.

► For luminaires modified for 50A or 60A track systems, contact factory.

- Luminaire may be configured to mount to any of eighteen 20-amp, 120-volt [track systems](#) – or – to any of six 277-volt track systems.
- Whether operated on 120-volt or 277-volt track, luminaire may be dimmed to 10% by an integral rotary dimmer located on one side of the driver case. Dimmer control shaft is spring loaded, permitting shaft to be exposed for adjustment and then depressed flush with the driver case to conserve dimmer setting. 'Clock face' markings permit registration of dimmer setting. (See illustrations below.)
- Driver case measures 6 1/8" long x 3 5/8" wide x 1 7/8" high. An on-off rocker switch, mounted in the driver case, is included standard on luminaires equipped for 120-volt track only.
- Luminaire optical assembly consists of an aluminum [reflector](#) and a 40° x 70° spread lens. In addition, the assembly can accept one of a number of optional [Optical Accessories](#) including color filters and screens. Assembly is keyed relative to luminaire housing, to retain critical lens orientation.
- Luminaire provides 385° horizontal rotation and vertical adjustment from 0° to 90°. Lamp focus can be locked by tightening two collar clamps using a 9/64" hex key.
- For more information, [click here](#).

For the outlet box mounted version of luminaire, see [IDM Artima/5 HI W-OBM](#).

Warranty Details

- This fixture is not suitable for use in direct sunlight, as under a skylight. Fixtures used in this way are not covered by our warranty.
- Our 5-year warranty does not include the provision of extraordinary means of access, e.g. scaffolding or Genie lifts, to service a product.

OPTICAL ACCESSORIES ▼ See next page



DIMMER OPERATION



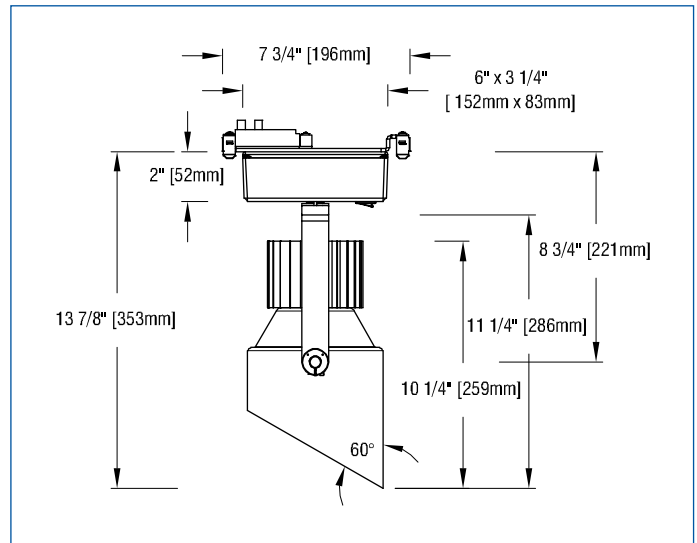
OPTICAL ACCESSORIES

Specify as separate line items; only for use with one of the above.
All are 4 3/4" (121 mm) diameter. Lenses and filters are glass; screens are aluminum.

40° x 70° spread lens included with fixture..... LENS/4.75-4070

color filters

- Daylight Blue DAY/4.75
- Surprise Pink PNK/4.75
- amber AMB/4.75
- blue BLU/4.75
- green GRN/4.75
- red RED/4.75
- 33% light reduction screen** SCR33/4.75
- 50% light reduction screen** SCR50/4.75



APPLICATIONS

Luminaire is suitable for highlighting vertical surfaces, as well as objects in museums, galleries, showrooms, residences, offices and stores.

Luminaire is listed for mounting on Edison Price Lighting 120-volt or 277-volt track.

Fixture Spacing Requirements The track adapter of this fixture is 7 5/8" long. For this reason 1) it cannot be track-mounted closer than 8" on center and 2) it cannot be used with 3 of our 7 **Unicep** single-fixture track units.

– see below for photometric reports –



PHOTOMETRIC REPORT (tested per IESNA LM-79-2008)

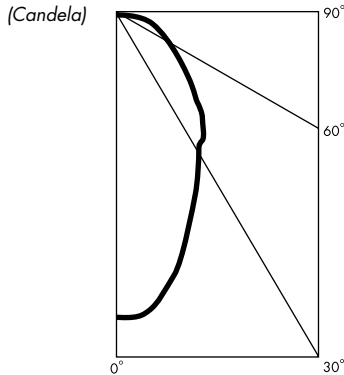
Prorated from (UL) Verification Services Report No. 717364. Original test report furnished upon

Luminairetrack-mounted LED lensed wallwasher with a 38° internal reflector, a 40° x 70° spread lens and a specular aluminum kicker reflector

LampCitizen LED, 5600 lumens, 3000K CCT

Lamp Liferated 50,000 hours based on L70/B50 criteria. LM80 report by LED manufacturer furnished upon request

CANDLEPOWER DISTRIBUTION



LUMINAIRE LIGHT OUTPUT AND EFFICACY

LED Module Type	Luminaire Light Output	Luminaire Efficacy (lumens/watt)	System Wattage
5600 Lumens 80 CRI (L56S)	2506	63	40
4300 Lumens 97 CRI (L43A)	1905*	48*	40

*estimated values

STANDARD DRIVER INFORMATION (UL Class 2, dry and damp location)

Voltage	120	277
Input Watts (L56S/L43A)	40/40	40/40
Input Current(A) (L56S/L43A)	.33/.33	.14/.14
Output Current (mA)	350-940	350-940
Min. Power Factor	0.90	0.90
Operating Temperature Range (F)	-4 to 122	-4 to 122

WALLWASH INFORMATION

Distance From Ceiling (Feet)	5' from wall; 5' O.C.		5' 6" from wall; 5' 6" O.C.		6' from wall; 6' O.C.	
	Below Fixture	Between Fixtures	Below Fixture	Between Fixtures	Below Fixture	Between Fixtures
1	15	13	12	11	10	9
2	27	24	22	19	18	16
3	33	30	27	24	23	20
4	38	33	31	27	25	22
5	35	34	30	28	26	23
6	33	32	28	28	24	23
7	30	30	26	26	23	22
8	26	26	23	24	21	21
9	23	23	21	21	19	19
10	20	19	18	18	17	17
11	17	16	16	16	15	15
12	14	14	14	14	13	13
13	12	12	12	12	12	11
14	10	10	10	10	10	10
15	9	9	9	9	9	9
16	8	7	8	8	8	8
17			7	7	7	7
18			6	6	6	6
19					5	5
20					5	5

This table lists initial illuminance values at the center of a row of at least 5 fixtures with no contribution from ceiling or floor reflectance. Fixtures were modeled with maximum candlepower at 20° above vertical.

LIGHT OUTPUT MULTIPLIER

LED Module Type	Light Output Multiplier
5600 Lumens 80 CRI (L56S)	1
4300 Lumens 97 CRI (L43A)	.76*