

Project

Type

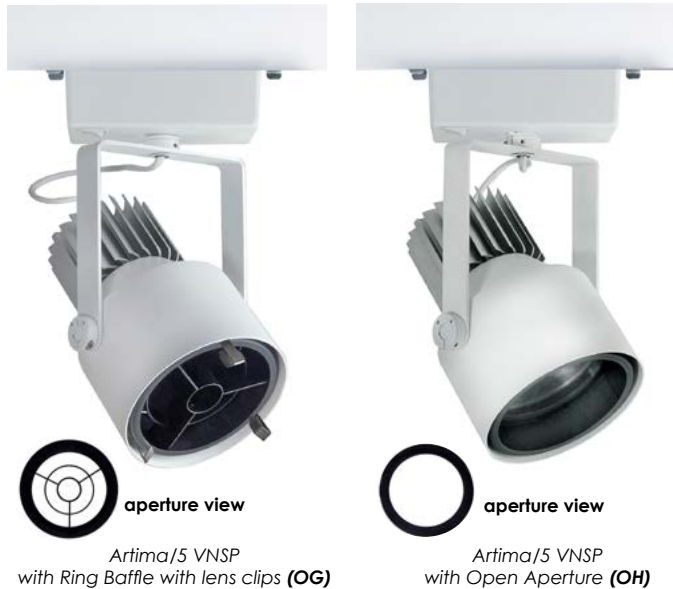


Date Product Code

Designer

# ARTIMA®/5 VN5P

track mounted LED 5° spotlight



Artima/5 VN5P with Ring Baffle with lens clips (OG)

Artima/5 VN5P with Open Aperture (OH)

- Luminaire may be configured to mount to any of eighteen 20-amp, 120-volt track systems – or – to any of six 277-volt track systems.
- Luminaire may be ordered with one of a number of drivers. An on-off rocker switch, mounted in the driver case, is included standard on luminaires equipped for 120-volt track only.
- Fixture appearance and performance can be changed with your choice of Aperture Assembly.
- Aperture Assembly choices
  - Ring Baffle (OP) for enhanced glare control (not shown above).
  - Ring Baffle with lens clips (OG) for enhanced glare control; clips accept one or two [Optical Accessories](#) including spread lenses, filters and screens.
  - Open Aperture (OH) for maximum efficacy; concealed lens holder accepts one or two [Optical Accessories](#).
- [Optical Accessories](#): Both OG and OH Aperture Assemblies accept one or two of a number of spread lenses or color filters. A complimentary beam smoother is included with either assembly.
- Luminaire provides 385° horizontal rotation and vertical adjustment from 0° to 90°. Lamp focus can be locked by tightening two collar clamps using a 9/64" hex key.
- For more information, [click here](#).

For the outlet box mounted version of luminaire, see [Artima/5 VN5P-OBM](#).

**Warranty Details**

- This fixture is not suitable for use in direct sunlight, as under a skylight. Fixtures used in this way are not covered by our warranty.
- Our 5-year warranty does not include the provision of extraordinary means of access, e.g. scaffolding or Genie lifts, to service a product.

Artima/5 VN5P is a track mounted 5° spotlight powered by two sets of chip-on-board LED modules, one set providing a CRI of 98 and one a CRI of 80+, both within 2-step MacAdam ellipses, capable of CBCP as high as 114,900! See tables below for wattages and efficacies.

## PRODUCT CODE

For complete product code, list basic unit and select one item from each following box.

Basic Unit .....	A5-CLT
<b>Track Configuration</b>	
120-volt track (e.g. SightLine) .....	+2C
277-volt track (e.g. HighLine) .....	no switch; not dimmable ..... +HC
<b>Finish</b>	
white: white paint, white lead cord, matte aluminum heat sink; white switch .....	- WH
black: black paint, black lead cord, black heat sink; black switch .....	- BL
Industrial Silver: silver paint, black lead cord, black heat sink; black switch .....	- SI
custom color: include paint number or physical chip with order and select one from below	
• white lead cord, matte aluminum heat sink; white switch .....	- CCW
• black lead cord, black heat sink; black switch .....	- CCB
• any other combinations require a special order	
<b>Aperture Assembly</b>	
Ring Baffle without Optical Accessory clips (not shown) .....	- OP
Ring Baffle with Optical Accessory clips .....	- OG
Open Aperture .....	- OH
<b>Driver</b>	
dimmable to 5% with either incandescent or electronic low voltage (ELV) dimmer on 120-volt track .....	- DMP
dimmable to 1% by a 2-wire Lutron® compatible dimmer on 120-volt track .....	- DMI-LU
Dimmable by integral dimmer, see <a href="#">IDM Artima/5 VN5P-OBM</a>	
Dimmable wirelessly, see <a href="#">Artima/5 VN5P-OBM Bluetooth</a>	
<b>Light Source Output (Lumens)</b>	
1200L / CRI 98 .....	2700K or 3000K ..... - L12A
1600L / CRI 98 .....	2700K or 3000K ..... - L16A
2000L / CRI 98 .....	2700K or 3000K ..... - L20A
1600L / CRI 80+ .....	all light colors ..... - L16S
2100L / CRI 80+ .....	all light colors ..... - L21S
2700L / CRI 80+ .....	all light colors ..... - L27S
<b>Light Color</b>	
2700 K .....	- 27K
3000 K .....	- 30K
3500 K .....	not available with all Light Outputs (see above) ..... - 35K
4000 K .....	not available with all Light Outputs (see above) ..... - 40K
5000 K .....	not available with all Light Outputs (see above) ..... - 50K

► For luminaires modified for 50A or 60A track systems, contact factory.

## OPTICAL ACCESSORIES ▼ See next page



41-50 22<sup>ND</sup> STREET, LIC NY 11101 TEL 718.685.0700 FAX 718.786.8530 www.epl.com

©Copyright, Edison Price Lighting 2019  
Artima is a registered trademark of Edison Price Lighting.

TF 11-184.5 7:19

## OPTICAL ACCESSORIES

Suitable for use only with 'OG' and 'OH' models.

Specify as separate items.

All are 4 3/4" (121 mm) diameter. Lenses and filters are glass; screens are aluminum.

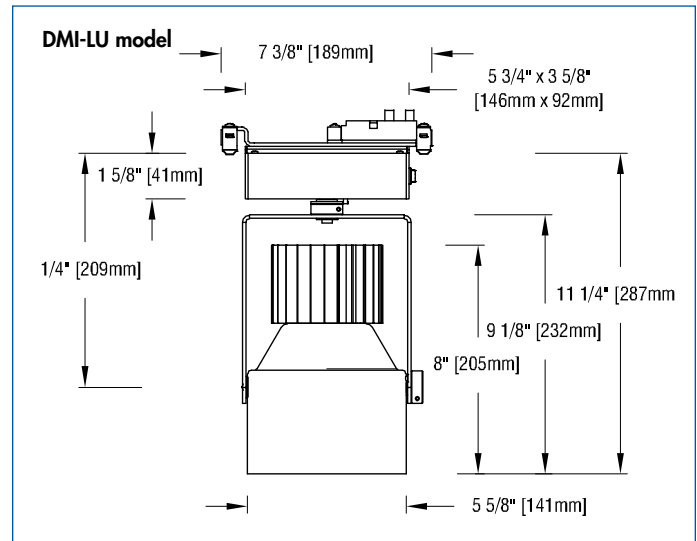
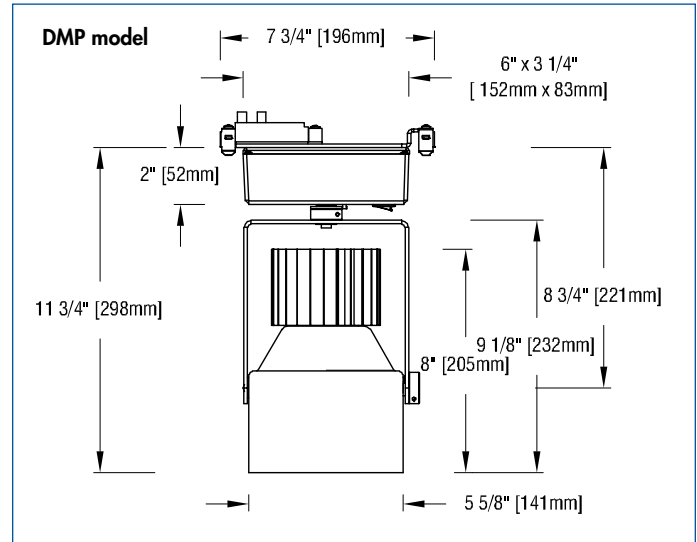
<b>30° spread lens</b> .....	LENS/4.75-30
<b>20° x 55° spread lens</b> .....	LENS/4.75
<b>70° spread lens</b> .....	LENS/4.75-70
<b>prismatic lens (Solite)</b> .....	PLS/4.75
<b>40° x 70° spread lens</b> .....	LENS/4.75-4070
<b>beam smoother</b> .....	CLR/4.75
<b>color filters</b>	
Daylight Blue .....	DAY/4.75
Surprise Pink .....	PNK/4.75
amber .....	AMB/4.75
blue .....	BLU/4.75
green .....	GRN/4.75
red .....	RED/4.75
<b>33% light reduction screen</b> .....	SCR33/4.75
<b>50% light reduction screen</b> .....	SCR50/4.75

## APPLICATIONS

Luminaire is suitable for spotlighting objects in museums, galleries, show-rooms, residences, offices and stores.

Luminaire is listed for mounting on Edison Price Lighting 120-volt or 277-volt track.

**Fixture Spacing Requirements** The track adapter of this fixture is 7 3/4" long. For this reason 1) it cannot be track-mounted closer than 8" on center and 2) it cannot be used with 2 of our 7 **Unicep** single-fixture track units.



– see below for photometric reports –



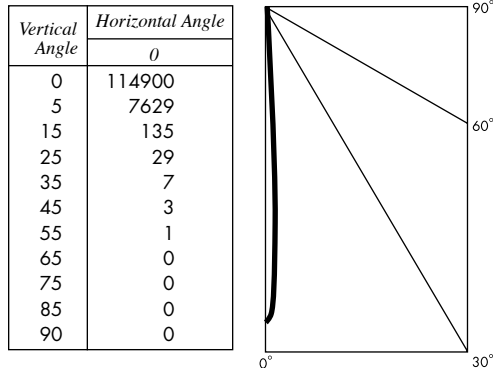
## PHOTOMETRIC REPORT (tested per IESNA LM-79-2008)

Prorated from Verification Services Report No. 12092412. Original test report furnished upon request.

Luminaire ..... track-mounted LED accent light with a 5° reflector and black ring baffle (NO LENS)  
 Lamp ..... Cree LED, 2700 lumens, 3000K CCT  
 Lamp Life ..... rated 50,000 hours based on L70/B50 criteria. LM80 report by LED manufacturer furnished upon request



### CANDLEPOWER DISTRIBUTION



### LUMINAIRE LIGHT OUTPUT AND EFFICACY

LED Module Type	Luminaire Light Output	Luminaire CBCP	Luminaire Efficacy (lumens/watt)	System Wattage
1600 Lumens 80 CRI (L16S)	628*	66,642*	45*	14
2100 Lumens 80 CRI (L21S)	844*	89,622*	42*	20
2700 Lumens 80 CRI (L27S)	1082	114,900	38	28
1200 Lumens 98 CRI (L12A)	476*	50,556*	34*	14
1600 Lumens 98 CRI (L16A)	638*	67,791*	32*	20
2000 Lumens 98 CRI (L20A)	812*	86,175*	29*	28

\*estimated values

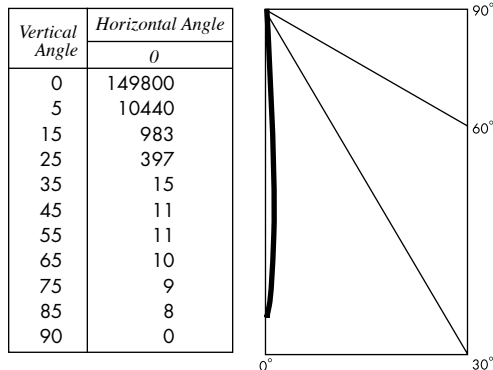
## PHOTOMETRIC REPORT (tested per IESNA LM-79-2008)

Prorated from Verification Services Report No. 12139550. Original test report furnished upon request.

Luminaire ..... track-mounted LED accent light with a 5° reflector and black lens holder (NO LENS)  
 Lamp ..... Cree LED, 2700 lumens, 3000K CCT  
 Lamp Life ..... rated 50,000 hours based on L70/B50 criteria. LM80 report by LED manufacturer furnished upon request



### CANDLEPOWER DISTRIBUTION



### LUMINAIRE LIGHT OUTPUT AND EFFICACY

LED Module Type	Luminaire Light Output	Luminaire CBCP	Luminaire Efficacy (lumens/watt)	System Wattage
1600 Lumens 80 CRI (L16S)	1099*	86,884*	78*	14
2100 Lumens 80 CRI (L21S)	1477*	116,844*	74*	20
2700 Lumens 80 CRI (L27S)	1894	149,800	67	28
1200 Lumens 98 CRI (L12A)	833*	65,921*	60*	14
1600 Lumens 98 CRI (L16A)	1117*	88,382*	56*	20
2000 Lumens 98 CRI (L20A)	1421*	112,350*	51*	28

\*estimated values

### LIGHT OUTPUT MULTIPLIER

(based on 2700 lumens 80 CRI option)

LED Module	Light Output Multiplier
1600 Lumens 80 CRI (L16S)	.58*
2100 Lumens 80 CRI (L21S)	.78*
2700 Lumens 80 CRI (L27S)	1
1200 Lumens 98 CRI (L12A)	.44*
1600 Lumens 98 CRI (L16A)	.59*
2000 Lumens 98 CRI (L20A)	.75*

\*estimated values

### STANDARD DRIVER INFORMATION (UL Class 2, dry and damp location)

Voltage	120	277
Input Watts (L16S/L21S/L27S/L12A/L16A/L20A)	14/20/28/14/20/28	14/20/28/14/20/28
Input Current (A) (L16S/L21S/L27S/L12A/L16A/L20A)	.12/.17/.23/.12/.17/.23	.05/.07/.10/.05/.07/.10
Output Current (mA) 350-700	350-700	
Min. Power Factor	0.90	0.90
Operating Temperature Range (F)	-4 to 122	-4 to 122