

Project

Type



MADE IN USA

[Click Here](#)

Date

Product Code

Designer

# IDM ARTIMA<sup>®</sup>/5 VN<sup>®</sup>SP

track mounted LED 5° spotlight with integral dimmer



- Luminaire may be configured to mount to any of eighteen 20-amp, 120-volt track systems – or – to any of six 277-volt track systems.
- Whether operated on 120-volt or 277-volt track, luminaire may be dimmed to 10% by an integral rotary dimmer located on one side of the driver case. Dimmer control shaft is spring loaded, permitting shaft to be exposed for adjustment and then depressed flush with the driver case to conserve dimmer setting. ‘Clock face’ markings permit registration of dimmer setting. (See illustrations below.)
- Fixture appearance and performance can be changed with your choice of Aperture Assembly.
- Aperture Assembly choices
  - Ring Baffle (OP) for enhanced glare control (not shown above).
  - Ring Baffle with lens clips (OG) for enhanced glare control; clips accept one or two [Optical Accessories](#) including spread lenses, filters and screens.
  - Open Aperture (OH) for maximum efficacy; concealed lens holder accepts one or two [Optical Accessories](#).
- [Optical Accessories](#): Both OG and OH Aperture Assemblies accept one or two of a number of spread lenses or color filters. A complimentary beam smoother is included with either assembly.
- Luminaire provides 385° horizontal rotation and vertical adjustment from 0° to 90°. Lamp focus can be locked by tightening two collar clamps using a 9/64" hex key.
- For more information, [click here](#).

For the outlet box mounted version of luminaire, see [IDM Artima/5 VN<sup>®</sup>SP-OBM](#).

**Warranty Details**

- This fixture is not suitable for use in direct sunlight, as under a skylight. Fixtures used in this way are not covered by our warranty.
- Our 5-year warranty does not include the provision of extraordinary means of access, e.g. scaffolding or Genie lifts, to service a product.

IDM Artima/5 VN<sup>®</sup>SP is a track mounted 5° spotlight powered by two sets of chip-on-board LED modules, one set providing a CRI of 98 and one a CRI of 80+, both within 2-step MacAdam ellipses, capable of CBCP as high as 114,900! See tables below for wattages and efficacies.

## PRODUCT CODE

For complete product code, list basic unit and select one item from each following box.

Basic Unit .....	IDM-A5-CLT
<b>Track Configuration</b>	
120-volt track (e.g. SightLine) .....	- 2C
277-volt track (e.g. HighLine) .....	no switch; not dimmable - HC
<b>Finish</b>	
white: white paint, white lead cord, matte aluminum heat sink; white switch .....	- WH
black: black paint, black lead cord, black heat sink; black switch .....	- BL
Industrial Silver: silver paint, black lead cord, black heat sink; black switch .....	- SI
custom color: include paint number or physical chip with order and select one from below	
• white lead cord, matte aluminum heat sink; white switch .....	- CCW
• black lead cord, black heat sink; black switch .....	- CCB
• any other combinations require a special order	
<b>Aperture Assembly</b>	
Ring Baffle without Optical Accessory clips (not shown) .....	- OP
Ring Baffle with Optical Accessory clips .....	- OG
Open Aperture .....	- OH
<b>Light Source Output (Lumens)</b>	
2000L / CRI 98 .....	2700K or 3000K - L20A
2700L / CRI 80+ .....	all light colors - L27S
<b>Light Color</b>	
2700 K .....	- 27K
3000 K .....	- 30K
3500 K .....	not available with all Light Outputs (see above) - 35K
4000 K .....	not available with all Light Outputs (see above) - 40K
5000 K .....	not available with all Light Outputs (see above) - 50K
<b>Dimming Notes:</b>	
• Fixture may be dimmed only by its integral dimmer.	
• Fixture cannot be dimmed by a dimmer of any kind on the track circuit.	
• Fixture may be damaged by use of an incandescent or ELV dimmer on the track circuit.	
• Fixture will not be dimmed or damaged by use of a 0-10V dimmer on the track circuit.	

## OPTICAL ACCESSORIES ▼ See next page

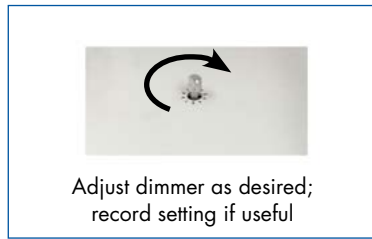


41-50 22<sup>ND</sup> STREET, LIC NY 11101 TEL 718.685.0700 FAX 718.786.8530 [www.epl.com](http://www.epl.com)

©Copyright, Edison Price Lighting 2019  
Artima is a registered trademark of Edison Price Lighting.

TF 11-186 6:19

## DIMMER OPERATION



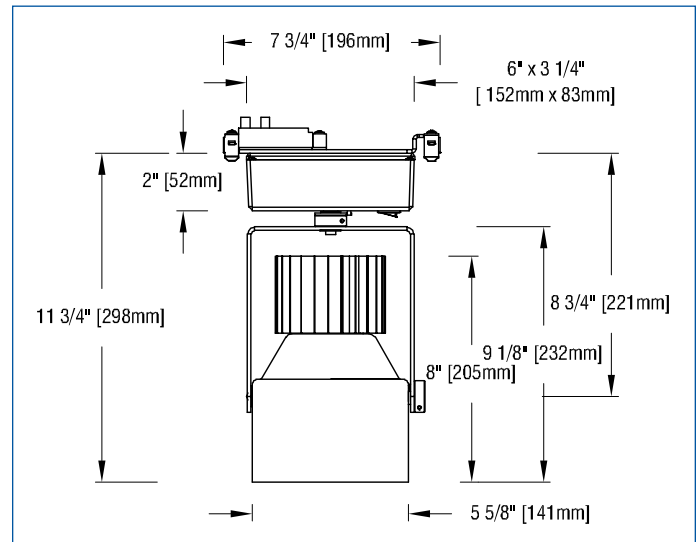
## OPTICAL ACCESSORIES

Suitable for use only with 'OG' and 'OH' models.

Specify as separate items.

All are 4 3/4" (121 mm) diameter. Lenses and filters are glass; screens are aluminum.

<b>30° spread lens</b> .....	LENS/4.75-30
<b>20° x 55° spread lens</b> .....	LENS/4.75
<b>70° spread lens</b> .....	LENS/4.75-70
<b>prismatic lens (Solite)</b> .....	PLS/4.75
<b>40° x 70° spread lens</b> .....	LENS/4.75-4070
<b>beam smoother</b> .....	CLR/4.75
<b>color filters</b>	
Daylight Blue .....	DAY/4.75
Surprise Pink .....	PNK/4.75
amber .....	AMB/4.75
blue .....	BLU/4.75
green .....	GRN/4.75
red .....	RED/4.75
<b>33% light reduction screen</b> .....	SCR33/4.75
<b>50% light reduction screen</b> .....	SCR50/4.75



## APPLICATIONS

Luminaire is suitable for spotlighting objects in museums, galleries, showrooms, residences, offices and stores.

Luminaire is listed for mounting on Edison Price Lighting 120-volt or 277-volt track.

**Fixture Spacing Requirements** The track adapter of this fixture is 7 3/4" long. For this reason 1) it cannot be track-mounted closer than 8" on center and 2) it cannot be used with 2 of our 7 Unicep single-fixture track units.

– see below for photometric reports –



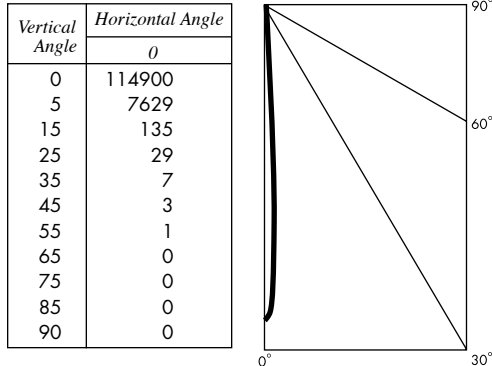
## PHOTOMETRIC REPORT (tested per IESNA LM-79-2008)

Prorated from Verification Services Report No. 12092412. Original test report furnished upon request.

Luminaire ..... track-mounted LED accent light with a 5° reflector and black ring baffle (NO LENS)  
 Lamp ..... Cree LED, 2700 lumens, 3000K CCT  
 Lamp Life ..... rated 50,000 hours based on L70/B50 criteria. LM80 report by LED manufacturer furnished upon request



### CANDLEPOWER DISTRIBUTION (Candela)



### LUMINAIRE LIGHT OUTPUT AND EFFICACY

LED Module Type	Luminaire Light Output	Luminaire CBCP	Luminaire Efficacy (lumens/watt)	System Wattage
2700 Lumens 80 CRI (L27S)	1082	114,900	38	28
2000 Lumens 98 CRI (L20A)	812*	86,175*	29*	28

\*estimated values

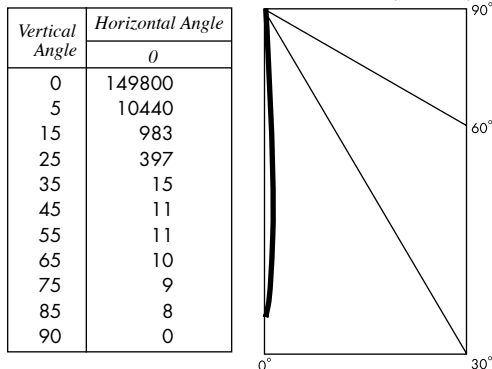
## PHOTOMETRIC REPORT (tested per IESNA LM-79-2008)

Prorated from Verification Services Report No. 12139550. Original test report furnished upon request.

Luminaire ..... track-mounted LED accent light with a 5° reflector and black lens holder (NO LENS)  
 Lamp ..... Cree LED, 2700 lumens, 3000K CCT  
 Lamp Life ..... rated 50,000 hours based on L70/B50 criteria. LM80 report by LED manufacturer furnished upon request



### CANDLEPOWER DISTRIBUTION (Candela)



### LUMINAIRE LIGHT OUTPUT AND EFFICACY

LED Module Type	Luminaire Light Output	Luminaire CBCP	Luminaire Efficacy (lumens/watt)	System Wattage
2700 Lumens 80 CRI (L27S)	1894	149,800	67	28
2000 Lumens 98 CRI (L20A)	1421*	112,350*	51*	28

\*estimated values

### STANDARD DRIVER INFORMATION

(UL Class 2, dry and damp location)

Voltage	120	277
Input Watts (L27S/L20A)	28/28	28/28
Input Current (A) (L27S/L20A)	.23/23	.10/10
Output Current (mA)	350-700	350-700
Min. Power Factor	0.90	0.90
Operating Temperature Range (F)	-4 to 122	-4 to 122

### LIGHT OUTPUT MULTIPLIER

(based on 2700 lumens 80 CRI option)

LED Module	Light Output Multiplier
2700 Lumens 80 CRI (L27S)	1
2000 Lumens 98 CRI (L20A)	.75*

\*estimated values