

Project

Type



Date

Product Code

Designer

IDM STACKLITE® CZE

track mounted LED wallwasher with integral dimmer



- Fixture may be configured to mount to any of eighteen 20-amp, 120-volt track systems – or – to any of six 277-volt track systems.
- Driver case is 6" long by 3 1/2" wide, matching the fixture housing below.
- Whether operated on 120-volt or 277-volt track, luminaire may be dimmed to 10% by an integral rotary dimmer located in one side of the driver case. Dimmer control shaft is spring loaded, permitting shaft to be extended for adjustment and then depressed flush with the surface of the case, conserving the dimmer setting. 'Clock face' markings permit registration of dimmer setting. (See illustrations below.)
- The driver case is fixed in position aligned with the track above. The fixture housing below may be rotated 360° in the horizontal plane by means of a concealed swivel.
- LED mounting assembly pivots vertically as much as 60° within fixture housing to adjust wallwash distribution as required. The pivot point is permanently tensioned, allowing the assembly to remain fixed at the desired angle. 'Protractor' marks indicate the degree of adjustment and simplify the setting of a row of fixtures. A highly efficient (87-92%) plastic diffuser obscures views into the fixture housing.
- Standard finish is matte white; also available in black and Industrial Silver matte paint finishes.
- For more information, [click here](#).

Fixture Spacing Requirements The track adapter of this fixture is 6 3/4" long. For this reason 1) it cannot be track-mounted closer than 7" on center and 2) it cannot be used with 3 of our 7 Unicep single-fixture track units.

For the outlet box mounted version of this luminaire, see [IDM Stacklite CZR-OBM](#).

IDM Stacklite CZE is a compact, LED track wallwasher that provides uniform illumination on vertical surfaces. Fixture is powered by three Citizen chip-on-board LED modules providing white light within a 2-step MacAdam ellipse chromaticity range. See tables on reverse for wattages and efficacies.

PRODUCT CODE

For complete product code, list basic unit and select one item from each following box.

Basic Unit IDM-STK-CZE

Track Configurations

120-volt track (e.g. SightLine) - 2C
277-volt track (e.g. HighLine)..... no switch option - HC

Finish

white paint finish - WH
black paint finish - BL
Industrial Silver paint finish - SI
custom color paint finish... include paint number or physical chip with order - CC

Light Source Output (Lumens)

2700 lumens / CRI 97 not available with 50K - L27A
3600 lumens / CRI 80 - L36S

Light Source Output (Lumens)

2700K - 27K
3000K - 30K
3500K - 35K
4000K - 40K
5000K..... not available with CRI 97 - 50K

Dimming Notes:

- Fixture may be dimmed only by its integral dimmer.
- Fixture cannot be dimmed by a dimmer of any kind on the track circuit.
- Fixture may be damaged by use of an incandescent or ELV dimmer on the track circuit.
- Fixture will not be dimmed or damaged by use of a 0-10V dimmer on the track circuit.
- Combination with wireless Bluetooth controls available as modification.

OPTIONS Specify by adding to the product code.

white rocker-type on/off switch recessed in driver case, for use on 120-volt track only - SW
black rocker-type on/off switch recessed in driver case, for use on 120-volt track only - SB



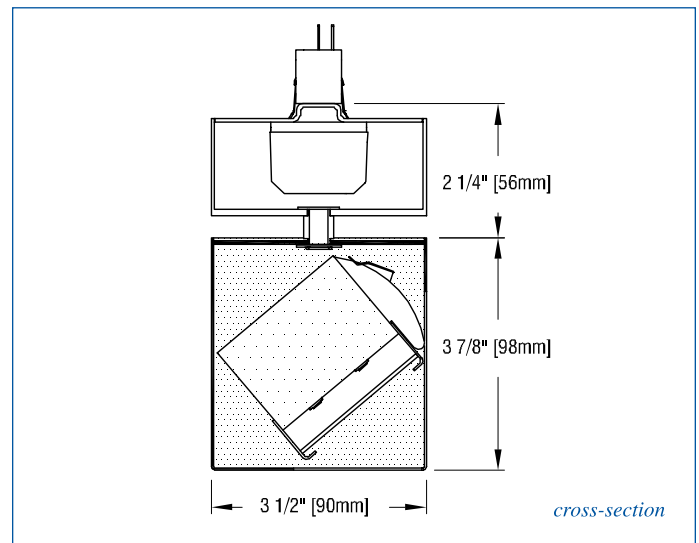
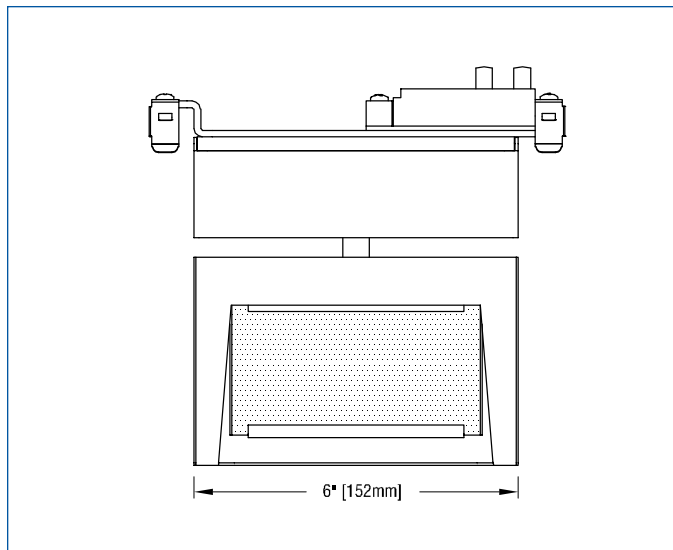
41-50 22ND STREET, LIC NY 11101 TEL 718.685.0700 FAX 718.786.8530 www.epl.com

©Copyright, Edison Price Lighting 2020
®Stacklite is a registered trademark of Edison Price Lighting.

TF 11-187 2:20


IDM STACKLITE CZE

DIMMER OPERATION



APPLICATIONS

Fixture is suitable for wallwashing in museums, galleries, showrooms, lobbies, public spaces, residences, offices and retail stores. The use of matte wall finishes is recommended to avoid specular reflections.


Fixture is  listed for mounting on Edison Price Lighting 120-volt track or 277-volt track only. Not suitable for Damp Location.

– see below for photometric reports –



IDM STACKLITE CZE

PHOTOMETRIC REPORT

 Verification Services Report No. 13180957.01. Original test report furnished upon request.

Luminaire track-mounted LED wallwasher with light diffuser cover

Lamp Citizen CITED LED 9.8mm LES LEDs, 2700 lumens, 3000K, 97 CRI.

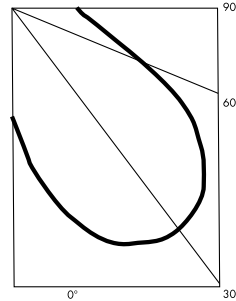
Lamp Life rated 50,000 hours based on L70/B50 criteria. LM80 report by LED manufacturer furnished upon request.

WALLWASH INFORMATION

Distance From Ceiling (Feet)	3'-6" From Wall; 3'-6" O.C		4' From Wall; 4' O.C	
	Below Fixture	Between Fixtures	Below Fixture	Between Fixtures
1	32	29	23	21
2	42	36	30	26
3	40	39	32	30
4	33	33	28	28
5	25	25	23	23
6	19	19	18	18
7	15	15	14	14
8	11	11	11	11
9	9	9	9	9
10	7	7	7	7
11	5	5	6	6
12			5	5

This table lists initial illuminance values at the center of a row of 5 fixtures with no contribution from ceiling or floor reflectance.

CANDLEPOWER DISTRIBUTION



LUMINAIRE LIGHT OUTPUT AND EFFICACY

LED Module Type	Luminaire Light Output	Luminaire Efficacy (lms/watt)	System Wattage
L27A (2700 Lumens 97 CRI)	1380*	53*	26
L36S (3600 Lumens 80 CRI)	1840*	71*	26

*estimated values

LIGHT OUTPUT MULTIPLIER

LED Module Type	Light Output Multiplier
L27A (2700 Lumens 97 CRI)	1
L36S (3600 Lumens 80 CRI)	1.33*

*estimated values

STANDARD DRIVER INFORMATION

	120	277
Voltage		
Input Watts (L27A/ L36S)	26/26	26/26
Input Current (A) (L27A/ L36S)	.22/.22	.09/.09
Output Current (mA)	350/500/700	350/500/700
Min. Power Factor	>0.95	>0.95
Ambient Temperature Range (F)	-4 to113	-4 to113

LED CCT MULTIPLIERS

2700K	.96
3000K	1
3500K	1.02
4000K	1.03
5000K	1.04