

Project

Type



Date

Product Code

Designer

STACKLITE® CZE

track mounted LED wallwasher



- **Fixture may be configured to mount to any of eighteen 20-amp, 120-volt track systems** – or – to any of six 277-volt track systems.
- **Driver case is 6" long by 3 1/2" wide, matching the fixture housing below.**
- **The driver case is fixed in position aligned with the track above.** The fixture housing below may be rotated 360° in the horizontal plane by means of a concealed swivel.
- **LED mounting assembly pivots vertically as much as 60° within fixture housing to adjust wallwash distribution as required.** The pivot point is permanently tensioned, allowing the assembly to remain fixed at the desired angle. 'Protractor' marks indicate the degree of adjustment and simplify the setting of a row of fixtures. A highly efficient (87-92%) plastic diffuser obscures views into the fixture housing.
- **Standard finish is matte white;** also available in black and Industrial Silver matte paint finishes.
- **For more information, [click here](#).**

For the outlet box mounted version of this luminaire, see [Stacklite CZE-OBM](#).

MODIFICATIONS AVAILABLE

Contact factory with quantity for pricing; orders may require shop drawing approval.
For modified stem lengths up to 72", add the following to the end of the product code:
+ number of inches.

Stacklite CZE is a compact, LED track wallwasher that provides uniform illumination on vertical surfaces. Fixture is powered by three Citizen chip-on-board LED modules providing white light within a 2-step MacAdam ellipse chromaticity range. See tables below for wattages and efficacies.

PRODUCT CODE

For complete product code, list basic unit and select one item from each following box.

Basic Unit STK-CZE

Track Configurations

120-volt track (e.g. SightLine) - 2C
277-volt track (e.g. HighLine)..... *no switch option, not dimmable* - HC

Finish

white paint finish..... - WH
black paint finish..... - BL
Industrial Silver paint finish - SI
custom color paint finish... *include paint number or physical chip with order* - CC

Light Source Output (Lumens)

1400 lumens / CRI 97*not available with 50K*..... - L14A
2000 lumens*not available with 50K* - L20A
2700 lumens*not available with 50K*..... - L27A
3100 lumens*not available with 50K* - L31A
1800 lumens / CRI 80 - L18S
2600 lumens - L26S
3600 lumens - L36S
4100 lumens - L41S

Driver:

dimmable to 5%, on 120-volt track only, by an incandescent or electronic low voltage (ELV) dimmer, suitable for 277-volt track as well but without dimming -DMP
dimmable to 1%, on 120-volt track only, by Lutron® incandescent dimmer..... -DMI-LU

For a model with an integral dimmer; see [IDM Stacklite CZE](#)

Light Color

2700K - 27K
3000K - 30K
3500K - 35K
4000K - 40K
5000K *not available with CRI 97* - 50K

OPTIONS *Specify by adding to the product code.*

white rocker-type on/off switch recessed in driver case, for use on 120-volt track only, not available with DMI-LU driver..... - SW
black rocker-type on/off switch recessed in driver case, for use on 120-volt track only, not available with DMI-LU driver..... - SB

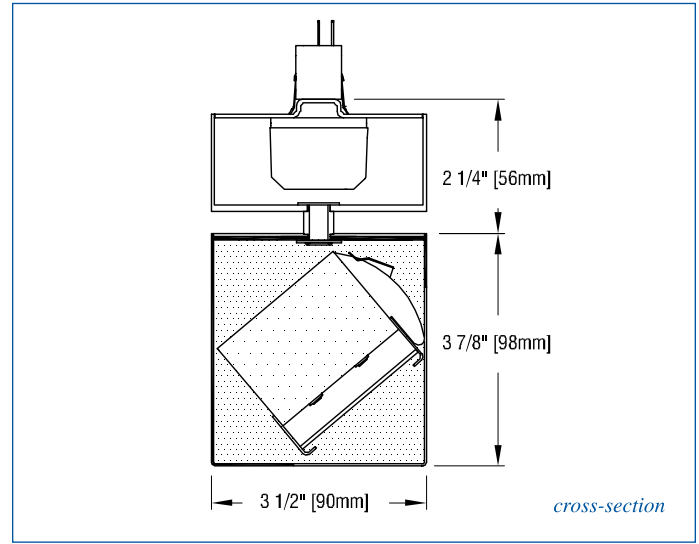
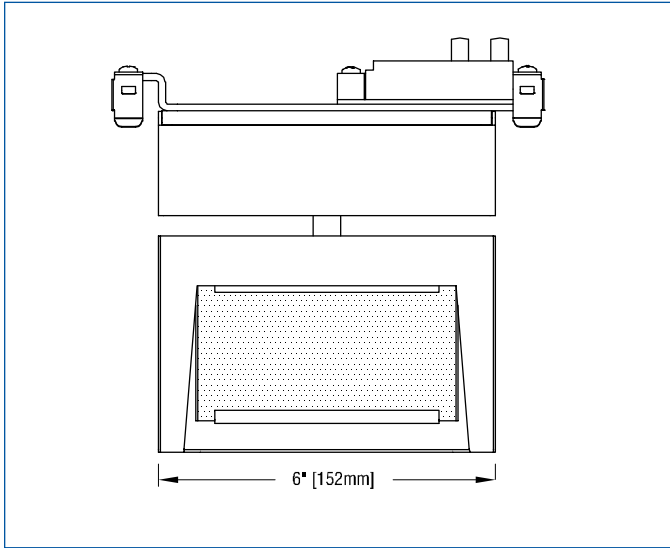


41-50 22ND STREET, LIC NY 11101 TEL 718.685.0700 FAX 718.786.8530 www.epl.com

©Copyright, Edison Price Lighting 2020
®Stacklite is a registered trademark of Edison Price Lighting.


TF 11-189 2:20

STACKLITE CZE



APPLICATIONS

Fixture is suitable for wallwashing in museums, galleries, showrooms, lobbies, public spaces, residences, offices and retail stores. The use of matte wall finishes is recommended to avoid specular reflections.

Fixture is  listed for mounting on Edison Price Lighting 120-volt track or 277-volt track only. Not suitable for Damp Location.


Fixture Spacing Requirements The track adapter of this fixture is 6 ³/₄" long. For this reason 1) it cannot be track-mounted closer than 7" on center and 2) it cannot be used with 2 of our 7 **Unicep** single-fixture track units.

– see below for photometric reports –



STACKLITE CZE

PHOTOMETRIC REPORT

 Verification Services Report No. 13180957.01. Original test report furnished upon request.

Luminaire track-mounted LED wallwasher with light diffuser cover

Lamp Citizen CILED 9.8mm LES LEDs, 3100 lumens, 3000K, 97 CRI.

Lamp Life rated 50,000 hours based on L70/B50 criteria. LM80 report by LED manufacturer furnished upon request.

WALLWASH INFORMATION (based on 3100 lumens 97 CRI)

Distance From Ceiling (Feet)	3'-6" From Wall; 3'-6" O.C		4' From Wall; 4' O.C	
	Below Fixture	Between Fixtures	Below Fixture	Between Fixtures
1	36	32	27	24
2	48	41	35	30
3	46	44	37	34
4	37	38	32	32
5	29	29	26	26
6	22	22	21	21
7	17	17	16	16
8	13	13	13	13
9	10	10	10	10
10	8	8	8	8
11	6	6	7	6
12	5	5	5	5
13			4	4

This table lists initial illuminance values at the center of a row of 5 fixtures with no contribution from ceiling or floor reflectance.

WALLWASH INFORMATION (based on 4100 lumens 80 CRI)

Distance From Ceiling (Feet)	4'-6" From Wall; 4'-6" O.C		5' From Wall; 5' O.C	
	Below Fixture	Between Fixtures	Below Fixture	Between Fixtures
1	28	25	22	20
2	35	30	27	23
3	39	35	32	27
4	36	35	31	29
5	31	31	27	27
6	25	25	23	23
7	21	21	19	19
8	17	17	16	16
9	13	13	13	12
10	11	11	11	11
11	9	9	9	9
12	7	7	8	7
13	6	6	6	6
14	5	5	5	5
15			4	4

This table lists initial illuminance values at the center of a row of 5 fixtures with no contribution from ceiling or floor reflectance.

LUMINAIRE LIGHT OUTPUT AND EFFICACY

LED Module Type	Luminaire Light Output	Luminaire Efficacy (lms/watt)	System Wattage
L31A (3100 Lumens 97 CRI)	1586	55	30
L27A (2700 Lumens 97 CRI)	1380*	53*	26
L20A (2000 Lumens 97 CRI)	1031*	55*	19
L14A (1400 Lumens 97 CRI)	714*	58*	12
L41S (4100 Lumens 80 CRI)	2094*	71*	30
L36S (3600 Lumens 80 CRI)	1840*	71*	26
L26S (2600 Lumens 80 CRI)	1332*	71*	19
L18S (1800 Lumens 80 CRI)	920*	74*	12

*estimated values

LIGHT OUTPUT MULTIPLIER

LED Module Type	Light Output Multiplier
L31A (3100 Lumens 97 CRI)	1
L27A (2700 Lumens 97 CRI)	0.87*
L20A (2000 Lumens 97 CRI)	0.65*
L14A (1400 Lumens 97 CRI)	0.45*
L41S (4100 Lumens 80 CRI)	1.32*
L36S (3600 Lumens 80 CRI)	1.16*
L26S (2600 Lumens 80 CRI)	0.84*
L18S (1800 Lumens 80 CRI)	0.58*

*estimated values

STANDARD DRIVER INFORMATION

Voltage	120	277
Input Watts (L31A/L27A/L20A/L14A/L41S/L36S/L26S/L18S)	30/26/19/12/30/26/19/12	30/26/19/12/30/26/19/12
Input Current (A) (L31A/L27A/L20A/L14A/L41S/L36S/L26S/L18S)	.25/.22/.16/.10/.25/.22/.16/.10	.11/.09/.07/.04/.11/.09/.07/.04
Output Current (mA)	350/500/700	350/500/700
Min. Power Factor	>0.95	>0.95
Ambient Temperature Range (F)	-4 to 113	-4 to 113

LED CCT MULTIPLIERS

2700K	.96
3000K	1
3500K	1.02
4000K	1.03
5000K	1.04

CANDLEPOWER DISTRIBUTION

