

Project

Type



Date

Product Code

Designer

STACKLITE® CZR

track mounted LED wallwasher



- **Fixture may be configured to mount to any of eighteen 20-amp, 120-volt track systems** – or – to any of six 277-volt track systems.
- **Driver case is 6" long by 3 1/2" wide, matching the fixture housing below.**
- **The driver case is fixed in position aligned with the track above.** The fixture housing below may be rotated 360° in the horizontal plane by means of a concealed swivel.
- **LED mounting assembly pivots vertically as much as 50° within fixture housing to adjust wallwash distribution as required.** The pivot point is permanently tensioned, allowing the assembly to remain fixed at the desired angle. 'Protractor' marks indicate the degree of adjustment and simplify the setting of a row of fixtures. A highly efficient (92%) plastic diffuser obscures views into the fixture housing.
- **Standard finish is matte white;** also available in black and Industrial Silver matte paint finishes.
- **For more information, [click here](#).**

For the outlet box mounted version of this luminaire, see [Stacklite CZR-OBM](#).

Stacklite CZR is a compact, LED track wallwasher that provides uniform illumination on vertical surfaces. Fixture is powered by four Citizen chip-on-board linear LED arrays providing white light within 3-step MacAdam ellipses. See tables on reverse for wattages and efficacies.

PRODUCT CODE

For complete product code, list basic unit and select one item from each following box.

Basic Unit STK-CZR

Track Configurations

120-volt track (e.g. SightLine) - 2C
 277-volt track (e.g. HighLine)..... *no switch option, not dimmable* HC

Finish

white paint finish..... - WH
 black paint finish..... - BL
 Industrial Silver paint finish - SI
 custom color paint finish... *include paint number or physical chip with order* CC

Light Source Output (Lumens)

1100L / 90 CRI L11
 1500L / 90 CRI L15
 2000L / 90 CRI L20
 1300L / 80 CRI L13
 1800L / 80 CRI L18
 2400L / 80 CRI L24

Driver:

dimmable to 5%, on 120-volt track only, by an incandescent or electronic low voltage (ELV) dimmer, suitable for 277-volt track as well but without dimming -DMP
 dimmable to 1%, on 120-volt track only, by Lutron® incandescent dimmer; seamless driver case increases to 6" x 3 1/2" x 1 5/8" -DMI-LU

Light Color

3000 K with 80 CRI LED - 830
 3500 K with 80 CRI LED..... - 835
 3000 K with 90 CRI LED..... - 930
 3500 K with 90 CRI LED..... - 935

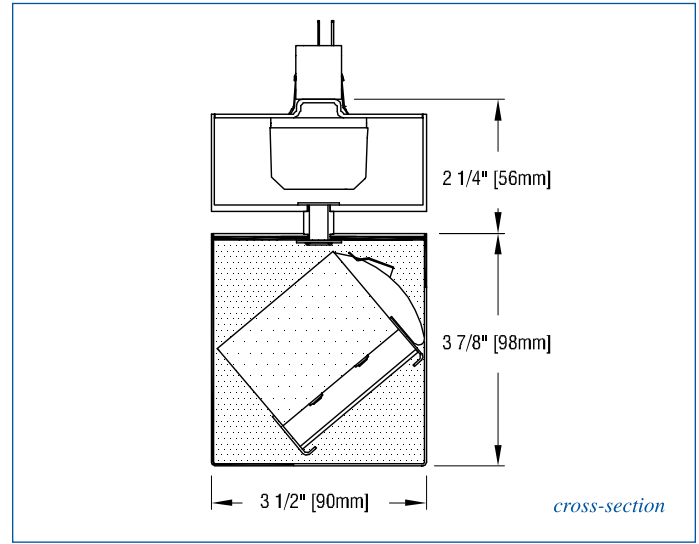
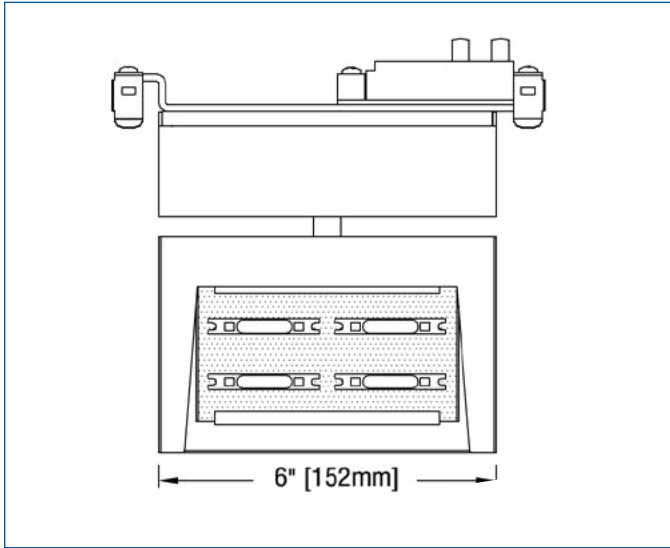
- ▶ For fixtures modified for 2700K, 4000K or 5000K LED arrays, contact factory.
- ▶ For fixtures modified for use on 50A or 60A track systems, contact factory.

OPTIONS *Specify by adding to the product code.*

white rocker-type on/off switch recessed in driver case, for use on 120-volt track only, not available with DMI-LU driver..... - SW
 black rocker-type on/off switch recessed in driver case, for use on 120-volt track only, not available with DMI-LU driver..... - SB




STACKLITE CZR



APPLICATIONS

Fixture is suitable for wallwashing in museums, galleries, showrooms, lobbies, public spaces, residences, offices and retail stores. The use of matte wall finishes is recommended to avoid specular reflections.

Fixture is  listed for mounting on Edison Price Lighting 120-volt track or 277-volt track only. Not suitable for Damp Location.


Fixture Spacing Requirements The track adapter of this fixture is 6 3/4" long. For this reason 1) it cannot be track-mounted closer than 7" on center and 2) it cannot be used with 2 of our 7 **Unicep** single-fixture track units.

– see below for photometric reports –



STACKLITE CZR

PHOTOMETRIC REPORT

 Verification Services Report No. 847919. Original test report furnished upon request.

Luminaire track-mounted LED wallwasher with light diffuser cover

Lamp 4 Citizen COB LEDs, 2000 lumens, 3000K, 90 CRI.

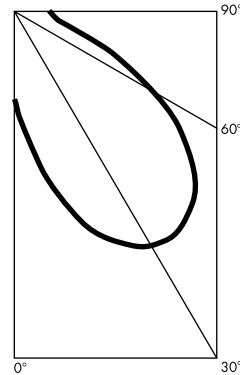
Lamp Life rated 50,000 hours based on L70/B50 criteria. LM80 report by LED manufacturer furnished upon request.

WALLWASH INFORMATION

Distance From Ceiling (Feet)	3' From Wall; 4' O.C		3'-6" From Wall; 4'-6" O.C	
	Below Fixture	Between Fixtures	Below Fixture	Between Fixtures
1	13	11	8	8
2	26	17	9	9
3	30	25	17	13
4	23	23	22	19
5	17	17	20	19
6	12	12	16	16
7	9	9	12	12
8	7	7	9	9
9	5	5	7	7
10			5	5

This table lists initial illuminance values at the center of a row of 10 fixtures with no contribution from ceiling or floor reflectance.

CANDLEPOWER DISTRIBUTION



LUMINAIRE LIGHT OUTPUT AND EFFICACY

LED Module Type	Luminaire Light Output	Luminaire Efficacy (lms/watt)	System Wattage
1100 Lumens 90 CRI	444	30	15
1500 Lumens 90 CRI	609	29	21
2000 Lumens 90 CRI	823	28	30
1300 Lumens 80 CRI	518*	35	15
1800 Lumens 80 CRI	716*	34	21
2400 Lumens 80 CRI	963*	32	30

*estimated values

LIGHT OUTPUT MULTIPLIER

LED Module Type	Light Output Multiplier
1100 Lumens 90 CRI	.54
1500 Lumens 90 CRI	.74
2000 Lumens 90 CRI	1
1300 Lumens 80 CRI	.63*
1800 Lumens 80 CRI	.87*
2400 Lumens 80 CRI	1.17*

*estimated values

STANDARD DRIVER INFORMATION

Voltage	120	277
Input Watts (1100L/1300L/1500L/1800L/2000L/2400L)	15/15/21/21/30/30	15/15/21/21/30/30
Input Current (A) (1100L/1300L/1500L/1800L/2000L/2400L)	.13/.13/.18/.18/.25/.25	.05/.05/.08/.08/.11/.11
Output Current (mA)	350/500/700	350/500/700
Min. Power Factor	>0.95	>0.95
Ambient Temperature Range (F)	-4 to113	-4 to113