

Project

Date

Product Code

Type

Designer



MADE IN USA

[Click Here](#)

# ARTIMA® MRE O

track mounted MR16 LED accent light



- Fixture may be mounted on and powered by any of eighteen 20-amp 120-volt Edison Price Lighting [track systems](#). Fixture includes an integral electronic transformer.
- The optical assembly consists of a conical specular black [reflector](#) which reduces lamp brightness.
- A socket cap prevents any backslash of light onto the ceiling.
- Fixture provides 385° horizontal rotation and vertical adjustment from 0° to 90°. Lamp focus can be locked by tightening two collar clamps using 3/32" and 7/64" hex keys.
- If used with one of the Soraa or Philips lamps listed above, which draw 7.5 watts or less, fixture accepts one of a number of [Optical Accessories](#) including spread lenses, a beam smoother and color filters.
- If used with a Soraa 10° lamp, Soraa Snap System accessories may be applied to lamp.
- Standard finish is matte white with a white socket lead; also available in black and Industrial Silver matte paint finishes.
- For more information, [click here](#).

For the outlet box mounted version of this fixture, see [Artima MRE O-OBMX](#).

Artima MRE O is an accent light designed for use with 12-volt, GU5.3 base, MR16-shaped retrofit LED lamps (supplied by others) including:

- Philips 6.6 watt 6.6MR16/LED  
7.0 watt 7MR16/LED
- Philips 6.5 watt WarmGlow  
6.5MR16, dim-to-warm
- Soraa 7.5 watt Brilliant or Vivid LED
- Additional lamps may be suitable. Contact factory with inquiries.

## PRODUCT CODE

Complete Product Code..... ART-MRE-0  
standard finish: matte white with white socket lead

## OPTIONS

Specify by adding to the product code.

rocker type on/off switch in side of transformer case ..... – SW  
to accommodate switch 2 1/16" long transformer case lengthens to 3 1/16" long, and 3/8" long upper stem lengthens to 3/4";  
white switch for white fixture, black for Silver or black fixture,  
specify which for custom color fixture

matte black housing finish, includes black socket lead ..... – BLK

Industrial Silver housing finish, includes black socket lead..... – SIL

custom color paint housing finish

specify white or black socket lead ..... – WSLV or – BSLV  
and identify color in specification ..... CCH

## OPTICAL ACCESSORIES

Specify as separate line items.

All are 2 3/8" (60mm) dia. Lenses and filters are glass; screens are aluminum.

diffuse glass .....not for use with 7.5 watt or higher lamps ..... DGS/2.375

prismatic lens (Solite)....not for use with 7.5 watt or higher lamps.....PLS/2.375

55° spread lens .....not for use with 7.5 watt or higher lamps.....LENS/2.375

40° x 70° spread lens....not for use with 7.5 watt or higher lamps.... LENS/2.375-4070

beam smoother .....not for use with 7.5 watt or higher lamps.....CLR/2.375

UV filter ..... not for use with 7.5 watt or higher lamps..... UVF/2.375

color filters

Daylight Blue.....not for use with 7.5 watt or higher lamps ..... DAY/2.375

Surprise Pink.....not for use with 7.5 watt or higher lamps .....PNK/2.375

amber.....not for use with 7.5 watt or higher lamps ..... AMB/2.375

blue.....not for use with 7.5 watt or higher lamps .....BLU/2.375

green .....not for use with 7.5 watt or higher lamps .....GRN/2.375

red.....not for use with 7.5 watt or higher lamps ..... RED/2.375

33% light reduction screen ...not for use with 7.5 watt or higher lamps... SCR33/2.375

50% light reduction screen ...not for use with 7.5 watt or higher lamps... SCR50/2.375

► For fixtures configured for 50A track or 60A busway systems, contact factory.



# ARTIMA MRE O

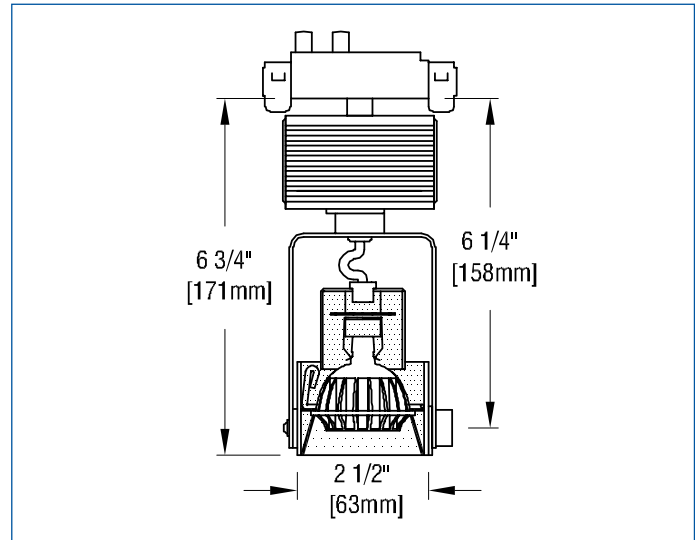
## APPLICATIONS

Fixture is suitable for highlighting vertical or horizontal surfaces, as well as objects in museums, galleries, showrooms, residences, offices and stores.

Fixture is cULus listed for mounting on Edison Price Lighting 120-volt track only.

### Lamp (By Others) Dimming Info

Edison Price Lighting does not include lamps and does not sell either lamps or their accessories. For dimming compatibility consult the lamp manufacturer's website.



For current lamp performance data, consult lamp manufacturer's website.