

# ARTIMA® PWG W

track mounted dim-to-warm wallwasher



- Fixture may be mounted on and powered by any of eighteen 20-amp 120-volt Edison Price Lighting [track systems](#). Fixture includes an integral electronic transformer.
- The optical assembly consists of an integral specular [reflector](#) and 40° x 70° spread lens.
- A socket cap prevents any backslash of light onto the ceiling.
- Fixture provides 385° horizontal rotation and vertical adjustment from 0° to 90°. Lamp focus can be locked by tightening two collar clamps using  $\frac{3}{32}$ " and  $\frac{7}{64}$ " hex keys.
- Standard finish is matte white with a white socket lead; also available in black and Industrial Silver matte paint finishes.
- For more information, [click here](#).

## APPLICATIONS

Fixture is suitable for wallwashing vertical surfaces in museums, galleries, showrooms, residences, offices and stores.

Fixture is  listed for mounting on Edison Price Lighting 120-volt track only.

For the outlet box mounted version of this fixture, see **Artima PWG W-OBMX**.

### Lamp (By Others) Dimming Info

Edison Price Lighting does not include lamps and does not sell either lamps or their accessories. For dimming compatibility consult the lamp manufacturer's website.

Artima PWG W is a wallwasher designed for use with a Philips 12-volt, GU5.3 base, MR-16 shaped, 'WarmGlow' retrofit LED lamp (supplied by others). This lamp dims from 2700K to 2200K, providing an experience similar to the dimming profile of an incandescent lamp.

- Philips WarmGlow 6.5MR16...

## PRODUCT CODE

Complete Product Code..... ART-MRE-PWG-W  
standard finish: matte white with white socket lead

## OPTIONS

Specify by adding to the product code.

rocker type **on/off switch** in side of transformer case ..... – SW  
to accommodate switch  $2\frac{1}{16}$ " long transformer case lengthens to  $3\frac{1}{16}$ " long, and  $\frac{3}{8}$ " long upper stem lengthens to  $\frac{3}{4}$ ";  
white switch for white fixture, black for Silver or black fixture,  
specify which for custom color fixture

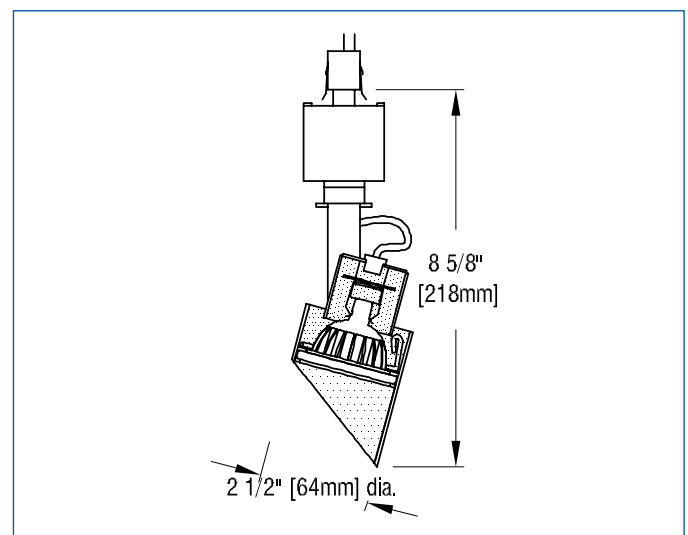
**matte black** housing finish, includes black socket lead ..... – BLK

**Industrial Silver** housing finish, includes black socket lead..... – SIL

**custom color** paint housing finish

specify white or black socket lead ..... – WSLV or – BSLV  
and identify color in specification ..... CCH

► For fixtures configured for 50A track or 60A busway systems, contact factory.



# ARTIMA PWG W

---

For current lamp performance data, consult lamp manufacturer's website.