

# MIDIMAX™ ARE


track mounted open-aperture accent light



- Luminaire may be configured to mount to any of eighteen 20-amp, 120-volt Edison Price Lighting [track systems](#).
- Fixture includes a dimmable electronic transformer.
- A concealed swivel provides 385° horizontal rotation and vertical adjustment from 0° to 90°. The swivel is permanently tensioned, allowing the luminaire to remain fixed at any aiming angle.
- MidiMax luminaires have seamless aluminum housings and cast aluminum tops for lightweight durability and heat dissipation.
- For more information, [click here](#).

## APPLICATIONS

Luminaire is suitable for highlighting vertical or horizontal surfaces, as well as objects in museums, galleries, showrooms, residences, offices and stores.

Luminaire is  listed for mounting on Edison Price Lighting 120-volt or 277-volt track.

### LAMP (BY OTHERS) DIMMING INFO

Edison Price Lighting does not include lamps and does not sell either lamps or their accessories. For dimming compatibility consult the lamp manufacturer's website.

For the outlet box mounted version of this luminaire, see **MidiMax ARE-OBM**.

MidiMax ARE is a track mounted accent light designed for use with a 12-volt, G53 base, AR111-shaped retrofit lamps (by others) including:

- Philips 11 watt 11AR111/LED . . . includes an 8° beam
- SORAA 6.0 watt Brilliant or Vivid a 4° beam  
12.5 watt Brilliant or Vivid includes an 8° beam

## PRODUCT CODE

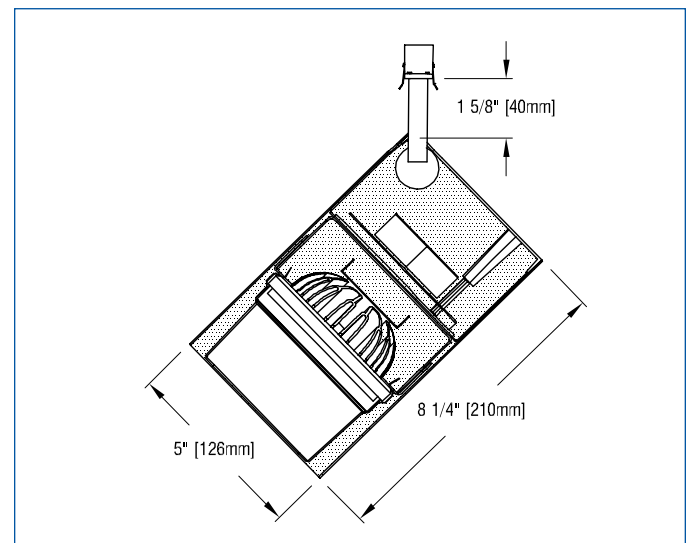
For complete product code, list basic unit and select one item from each following box.

Basic Unit .....	LX-ARE-O
Finish	
white paint finish .....	- WH
black paint finish .....	- BL
Industrial Silver paint finish .....	- SI
custom color paint finish.....	include physical chip with order ..... - CC

## OPTIONS Specify by adding to the product code.

120/12 volt Q-Tran® magnetic transformer .....	- DMI
a rocker type on/off switch on fixture top, for use on 120-volt track only .....	- SW
white switch for white fixture, black for Silver or black fixture, specify which for custom color fixture	

► For luminaires modified for 50A or 60A track systems, contact factory.



---

For current lamp performance data, consult lamp manufacturer's website.