

Project

Date

Product Code

Type

Designer



ARTIMA® SRA AR111

track mounted accent light



- Fixture may be mounted on and powered by any of eighteen 20-amp 120-volt Edison Price Lighting [track systems](#). Fixture includes an integral electronic transformer.
- The two lamp leads are terminated for quick connection to the lamp contacts and are concealed under a cylindrical cap.
- The optical assembly consists of a matte black cross-baffle which reduces spill light and controls lamp brightness. Axial rotation of the cross-baffle allows optional lenses to be oriented easily. Once set, the optical assembly is entirely undisturbed by relamping.
- Fixture provides 385° horizontal rotation and vertical adjustment from 0° to 90°. Lamp focus can be locked by tightening two collar clamps using a 1/64" hex key.
- Fixture accepts one or two of a number of [Optical Accessories](#), including spread lenses, color filters and light reduction screens. Alternatively, Soraa Snap System optical accessories may be supplied by others and employed.
- Standard finish is matte white with a white socket lead; also available in black and Industrial Silver matte paint finishes.
- For more information, [click here](#).

Artima SRA AR111 is an accent light designed for use with the following 12-volt, G53 base, SORAA AR111 lamps (supplied by others):

- 12.5 watt Vivid (CRI 95): 8°, 25°, 36° beams
- 18.5 watt Vivid (CRI 95): 9°, 25° & 36° beams

PRODUCT CODE

Complete Product Code.....ART SRA AR111
standard finish: matte white with white socket lead

OPTIONS

Specify by adding to the product code.

matte black housing finish, includes black socket lead – BLK

Industrial Silver housing finish, includes black socket lead – SIL

custom color paint housing finish

specify white or black socket lead – WSLV or – BSLV
and identify color in specification CCH

OPTICAL ACCESSORIES

Specify as separate line items; only for use with one of the above.

All are 4 3/4" (121mm) diameter. Lenses and filters are glass; screens are aluminum.

30° spread lens LENS/4.75-30

30° Daylight Blue spread lens DAY LENS/4.75-30

20° x 55° spread lens LENS/4.75

55° Daylight Blue spread lens DAY LENS/4.75

70° spread lens LENS/4.75-70

prismatic lens (Solite) PLS/4.75

40° x 70° spread lens LENS/4.75-4070

beam smoother CLR/4.75

color filters

Daylight Blue DAY/4.75

Surprise Pink PNK/4.75

amber AMB/4.75

blue BLU/4.75

green GRN/4.75

red RED/4.75

33% light reduction screen SCR33/4.75

50% light reduction screen SCR50/4.75

▶ A outlet-box-mounted version of this fixture is available on special order.

▶ For fixtures configured for 50A track or 60A busway systems, contact factory.



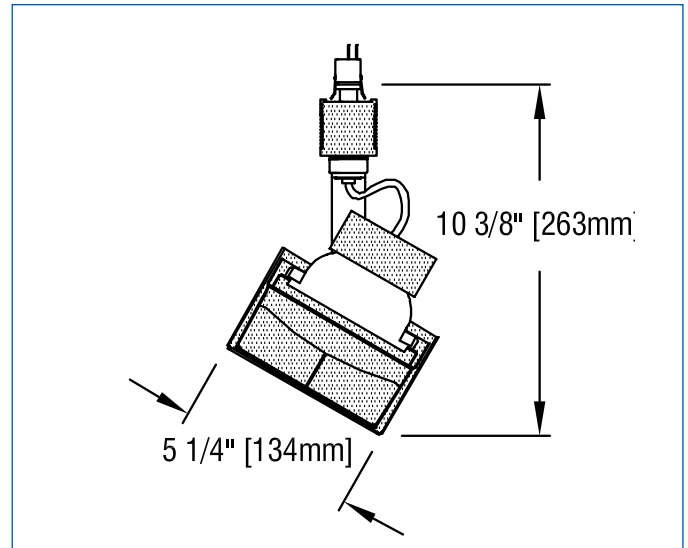
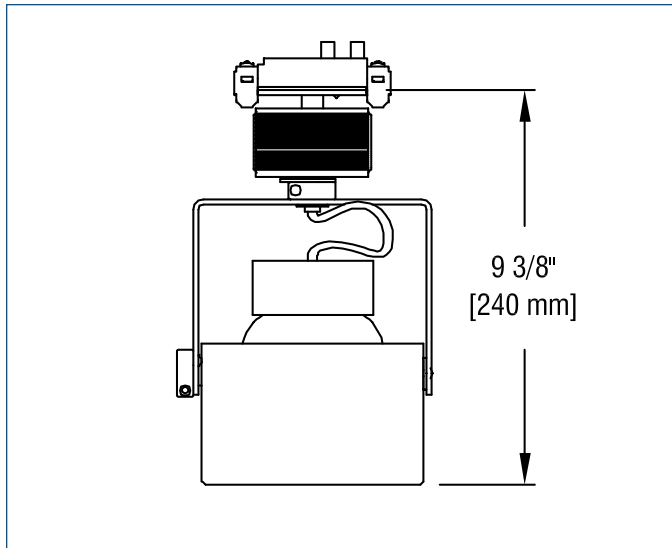
41-50 22ND STREET, LIC NY 11101 TEL 718.685.0700 FAX 718.786.8530 www.epl.com

©Copyright, Edison Price Lighting 2019

TF 11-199

11:19

®Maxima, DoubleLine, UpLine, AutoTrak and AutoBus are registered trademarks of Edison Price Lighting.



APPLICATIONS

Fixture is suitable for **directional accent and display highlighting** in museums, galleries, showrooms, residences, offices and stores.

Fixture is individually fused and listed for mounting on Edison Price Lighting 120-volt track only.

Lamp (By Others) Dimming Info

Edison Price Lighting does not include lamps and does not sell Soraa lamps or accessories. For the dimming compatibility of standard fixtures consult Soraa's "Transformer & Dimming Compatibility" table at www.soraa.com. Check the line for Hatch RS12-60M/LED transformers.

For current Soraa AR111 lamp performance data, consult www.soraa.com.