

Project

Date

Product Code

Type

Designer



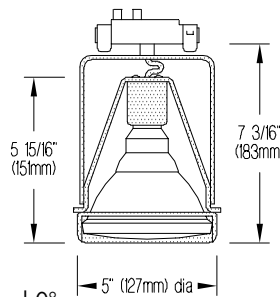
MINIMA® 38E

track mounted LED accent light and accessories

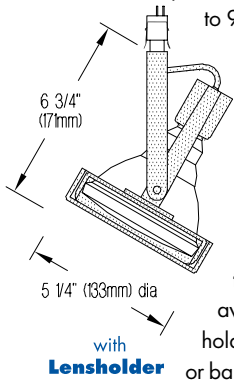
FEATURES

Minima 38E is an accent light which has been checked for fit and initial operation with the following PAR 38 LED retrofit lamps (supplied by others):

- KETRA S38
- Soraa PAR38
- GE PAR38



The fixture provides 385° horizontal rotation and 0° to 90° vertical adjustment, and permanently tensioned swivels allow it to maintain any aiming angle. Fixture may be mounted on and powered by any of eighteen 20-amp 120-volt Edison Price Lighting track systems.

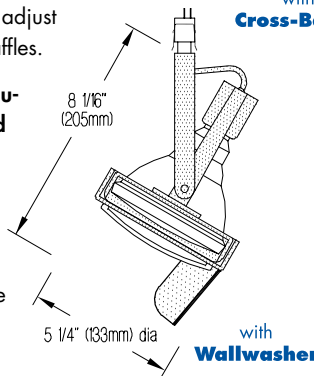
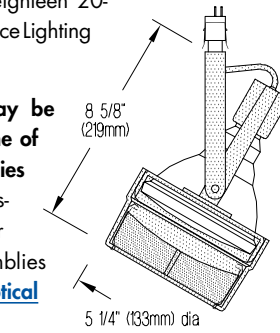


Minima 38E fixtures may be used alone or with any one of four snap-on optical assemblies available as accessories: lensholder, cross-baffle, wallwasher or barn doors (not pictured). Assemblies accept one or two of a number of [Optical Accessories](#).

The cross-baffle reduces spill light, controls lamp brightness and allows the user to easily adjust the orientation of a lens by rotating the baffles.

The wallwasher consists of a specular aluminum reflector and a 40° x 70° spread lens, and provides uniform illumination on vertical surfaces.

Standard finish is matte white with a white socket lead; also available in black and Industrial Silver matte paint finishes.



APPLICATIONS



Fixtures are cULus listed for mounting on Edison Price Lighting 120-volt track only.

For the outlet box mounted version of this fixture, see **Minima 38E-OBM**.

PRODUCT CODE

Complete Product CodeMIN 38
standard finish: matte white with white socket lead

OPTIONS

Specify by adding to the product code.
rocker type on/off switch in track adapter, 100 watt maximum..... - SW
(3¾" long adapter lengthened to 7½" to accommodate switch)

equipped for outlet box mounting with a 4 ½" (114mm) dia matte white box cover; mounts directly to a standard 4" (102mm) octagonal outlet box..... - OBM

matte black housing finish - BLK
black socket lead

Industrial Silver housing finish - SIL
black socket lead

custom color paint housing finish
specify white or black socket lead - WSLV or - BSLV
and identify color in specification CCH

ACCESSORIES

Specify as separate line items.
lensholder (no lens included) LH38
cross-baffle (no lens included) XB38
wallwasher (with 40° x 70° spread lens) WW38
barn doors (no lens included)
standard finish is matte black paint on all surfaces;
other paint finish schemes available on special order..... BD36-38

OPTICAL ACCESSORIES

Specify as separate line items; only for use with one of the above.
All are 4 ¾" (121mm) diameter. Lenses and filters are glass; screens are aluminum.
30° spread lens LENS/4.75-30
20° x 55° spread lens LENS/4.75
prismatic lens (Solite) PLS/4.75
40° x 70° spread lens
(one included with each Wallwasher) LENS/4.75-4070
beam smoother CLR/4.75
UV filter UVF/4.75
color filters
Daylight Blue DAY/4.75
Surprise Pink PNK/4.75
amber AMB/4.75
blue BLU/4.75
green GRN/4.75
red RED/4.75
33% light reduction screen SCR33/4.75
50% light reduction screen SCR50/4.75

LAMPS BY OTHERS

Edison Price Lighting does not include lamps and does not sell either lamps or their accessories.

DIMMING

For dimming compatibility consult the lamp manufacturer's website.

WIRELESS LIMITATIONS

The wireless range of lamped fixtures will vary with lamp and site conditions.



For current lamp performance data, consult lamp manufacturer's website.