

Project

Date

Product Code

Type

Designer

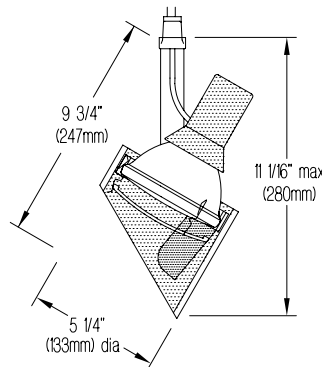


ARTIMA® 38E W

track mounted PAR 38 LED wallwasher

FEATURES

- **Artima 38E W is a wallwasher** which has been checked for fit and initial operation with the following PAR 38 LED retrofit lamps (supplied by others):
 - KETRA S38
 - Soraa PAR38
 - GE PAR38
 - TCP Allusion PAR38, dim-to-warm
 - Additional lamps may be suitable. Contact factory with inquiries.
- **Fixture may be mounted on and powered by any of eighteen 20-amp 120-volt Edison Price Lighting track systems.**
- **The optical assembly** consists of an internal specular reflector and a 40° x 70° spread lens. This assembly, and its setting, is entirely undisturbed by relamping.
- **A flared socket cap** prevents any backsplash of light onto the ceiling.
- **Artima 38E fixtures provide 385° horizontal rotation and vertical adjustment from 0° to 90°.** Lamp focus can be locked by tightening two collar clamps using a 1/64" hex key.
- **Artima 38E W fixtures accept one or two of a number of [Optical Accessories](#)** including color filters and light reduction screens.
- **Because their track adapters are entirely concealed** within the track, Artima fixtures have an exceptionally clean appearance. Standard finish is matte white with a white socket lead; also available in black and Industrial Silver matte paint finishes.
- **For more information, [click here](#).**



APPLICATIONS



Fixture is cUL^{us} listed for mounting on Edison Price Lighting 120-volt track only.

For the outlet box mounted version of this fixture, see [Artima 38E W-OBM](#).

PRODUCT CODE

Complete Product Code..... ART 38 W
standard finish: matte white with white socket lead

OPTIONS

Specify by adding to the product code.

rocker type **on/off switch** in track adapter, 100 watt maximum – SW
(3¾" long adapter lengthened to 7½" to accommodate switch)

equipped for **outlet box mounting** with a 4½" (114mm) dia matte white box cover; mounts directly to a standard 4" (102mm) octagonal outlet box – OBM

matte black housing finish
black socket lead standard; for on/off switch, consult factory – BLK

Industrial Silver housing finish
black socket lead standard; for on/off switch, consult factory – SIL

custom color paint housing finish
specify white or black socket lead – WSLV or – BSLV
and identify color in specification CCH

OPTICAL ACCESSORIES

Specify as separate line items; only for use with one of the above.
All are 4¾" (121mm) diameter. Lenses and filters are glass; screens are aluminum.

40° x 70° spread lens (included with fixture) LENS/4.75-4070

color filters

Daylight Blue DAY/4.75
Surprise Pink PNK/4.75
amber AMB/4.75
blue BLU/4.75
green GRN/4.75
red RED/4.75
33% light reduction screen SCR33/4.75
50% light reduction screen SCR50/4.75

LAMPS BY OTHERS

Edison Price Lighting does not include lamps and does not sell either lamps or their accessories.

DIMMING

For dimming compatibility consult the lamp manufacturer's website.

WIRELESS LIMITATIONS

The wireless range of lamped fixtures will vary with lamp and site conditions.



ARTIMA 38E W



For current lamp performance data, consult lamp manufacturer's website.