

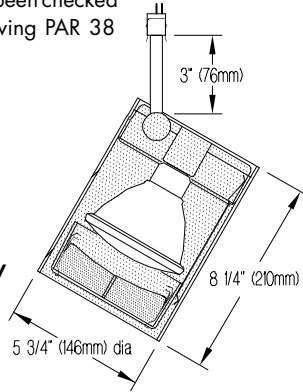


MAXIMA 38E O

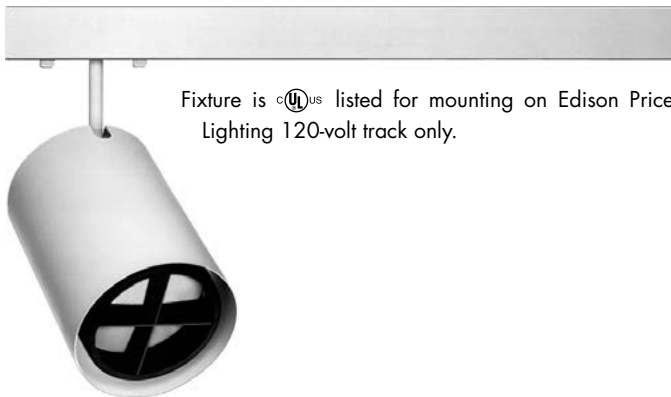
track mounted PAR 38 LED accent light

FEATURES

- **Maxima 38E O is an accent light** which has been checked for fit and initial operation with the following PAR 38 LED retrofit lamps (supplied by others):
 - KETRA S38
 - Soraa PAR38
 - GE PAR38
 - TCP Allusion PAR38, dim-to-warm
 - Additional lamps may be suitable. Contact factory with inquiries.
- **Fixture may be mounted on and powered by any of eighteen 20-amp 120-volt Edison Price Lighting track systems.**
- **The optical assembly for Maxima 38E O is a matte black cross-baffle which reduces spill light and controls lamp brightness.** This assembly is fixed in place for precise aiming and easily removed as a unit for relamping.
- **A concealed swivel provides 385° horizontal rotation and vertical adjustment from 0° to 90°.** The swivel is permanently tensioned, allowing Maxima fixtures to remain fixed at any aiming angle.
- **Maxima 38E O fixtures accept one or two of a number of [Optical Accessories](#)** including spread lenses, a beam smoother, color filters and light reduction screens.
- **Maxima fixtures have seamless aluminum housings for lightweight durability and cast aluminum tops for heat dissipation.** Because their track adapters are entirely concealed within the track, Maxima fixtures have an exceptionally clean appearance. Standard finish is matte white; also available in black and Industrial Silver matte paint finishes.
- **For more information, [click here](#).**



APPLICATIONS



Fixture is listed for mounting on Edison Price Lighting 120-volt track only.

For the outlet box mounted version of this fixture, see [Maxima 38E O-OBM](#).

LAMPS BY OTHERS

Edison Price Lighting does not include lamps and does not sell either lamps or their accessories.

DIMMING

For dimming compatibility consult the lamp manufacturer's website.

WIRELESS LIMITATIONS

The wireless range of lamped fixtures will vary with lamp and site conditions.

PRODUCT CODE

Complete Product Code..... MAX 38 O

OPTIONS

Specify by adding to the product code.

a rocker type **on/off switch** on fixture top – SW
white switch for white fixture, black for Silver or black fixture, specify which for custom color fixture

equipped for **outlet box mounting** with a
 4 1/2" (114mm) dia matte white box cover;
 mounts directly to a standard 4" (102mm)
 octagonal outlet box – OBM

matte black housing finish – BLK

Industrial Silver housing finish – SIL

custom color paint housing finish
identify color in specification CCH

OPTICAL ACCESSORIES

Specify as separate line items; only for use with one of the above.

All are 4 3/4" (121mm) diameter. Lenses and filters are glass; screens are aluminum.

30° spread lens LENS/4.75-30

30° Daylight Blue spread lens DAY LENS/4.75-30

20° x 55° spread lens LENS/4.75

55° Daylight Blue spread lens DAY LENS/4.75

70° spread lens LENS/4.75-70

prismatic lens (Solite) PLS/4.75

40° x 70° spread lens LENS/4.75-4070

beam smoother CLR/4.75

color filters

Daylight Blue DAY/4.75

Surprise Pink PNK/4.75

amber AMB/4.75

blue BLU/4.75

green GRN/4.75

red RED/4.75

33% light reduction screen SCR33/4.75

50% light reduction screen SCR50/4.75



MAXIMA 38E O



For current lamp performance data, consult lamp manufacturer's website.