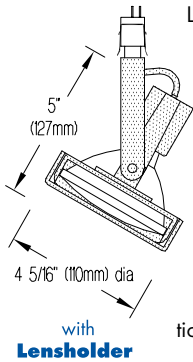
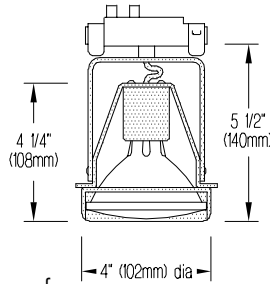


MINIMA® 30SE

track mounted LED accent light and accessories

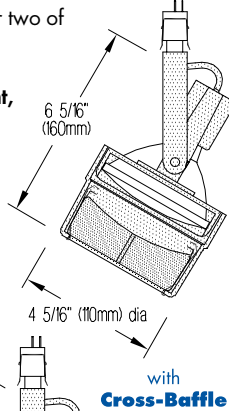
FEATURES

Minima 30SE is a track mounted accent light which has been checked for fit and initial operation with a SORAA PAR30S (short neck) LED retrofit lamp (supplied by others). The fixture provides 385° horizontal rotation and 0° to 90° vertical adjustment, and permanently tensioned swivels allow it to maintain any aiming angle. Fixture may be mounted on and powered by any of eighteen 20-amp 120-volt Edison Price Lighting track systems.



Minima 30SE may be used alone or with any one of four snap-on optical assemblies available as accessories: lensholder, cross-baffle, wallwasher and barn doors (not pictured). Assemblies accept one or two of a number of **Optical Accessories**.

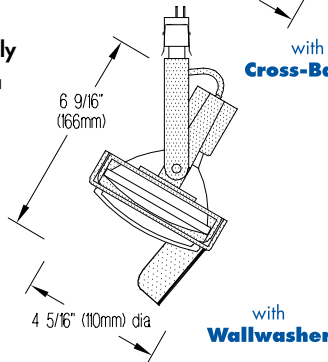
The cross-baffle reduces spill light, controls lamp brightness and allows the user to easily adjust the orientation of a lens by rotating the baffles.



The wallwasher consists of a peened aluminum reflector and a 40° x 70° spread lens, and provides uniform illumination on vertical surfaces.

Because their track adapters are entirely concealed within the track, Minima fixtures have an exceptionally clean appearance. Standard finish is matte white with a white socket lead; also available in black and Industrial Silver matte paint finishes.

For more information, [click here](#).



APPLICATIONS



Fixtures are cUL^{us} listed for mounting on Edison Price Lighting 120-volt track only.

Lamps By Others

Edison Price Lighting does not include lamps and does not sell either lamps or their accessories.

Dimming

For dimming compatibility consult the lamp manufacturer's website.

Wireless Limitations

The wireless range of lamped fixtures will vary with lamp and site conditions

PRODUCT CODE

Complete Product Code..... MIN 30
standard finish: matte white with white socket lead

OPTIONS

Specify by adding to the product code.

rocker type **on/off switch** in track adapter – SW
(3/4" long adapter lengthened to 7/2" to accommodate switch)

equipped for **outlet box mounting** with a 4 1/2" (114mm) dia matte white box cover; mounts directly to a standard 4" (102mm) octagonal outlet box – OBM

matte black housing finish – BLK
black socket lead

Industrial Silver housing finish – SIL
black socket lead

custom color paint housing finish
specify white or black socket lead – WSLV or – BSLV
and identify color in specification CCH

ACCESSORIES

Specify as separate line items.

lensholder (no lens included) LH30

cross-baffle (no lens included) XB30

wallwasher (with 40° x 70° spread lens) WW30

barn doors (no lens included) (not pictured)
standard finish is matte black paint on all surfaces;
other paint finish schemes available on special order BD30

OPTICAL ACCESSORIES

Specify as separate line items; only for use with one of the above.

All are 3 3/4" (95mm) dia. Lenses and filters are glass; screens are aluminum.

55° spread lens LENS/3.75

40° x 70° spread lens
(one included with each wallwasher) LENS/3.75-4070

prismatic lens (Solite) PLS/3.75

beam smoother CLR/3.75

UV filter UVF/3.75

color filters

Daylight Blue DAY/3.75

Surprise Pink PNK/3.75

amber AMB/3.75

blue BLU/3.75

green GRN/3.75

red RED/3.75

33% light reduction screen SCR33/3.75

50% light reduction screen SCR50/3.75

For the outlet box mounted version of this fixture, see **Minima 30SE-OBM**.



MINIMA 30SE



For current lamp performance data, consult lamp manufacturer's website.