

Project

Date

Product Code

Type

Designer



MINI WAND™ 16E O

track mounted accent light



Mini Wand 16E O is an accent light designed for use with a 120-volt, GU10 base, 7.5 watt or 9 watt Soraa MR16-GU10 lamp. Fixture may be powered by one of eighteen 20-amp 120-volt track systems.

- **Concealed swivels provide 350° horizontal rotation as well as vertical adjustment from 0° to 90°.** Focus is positively locked by tightening the knurled ends of the stems.
- **Lamp brightness is reduced by a conical specular black aperture splay.**
- **With a 7.5 watt lamp only, fixture accepts one or two of a number of Edison Price Lighting [Optical Accessories](#)** including spread lenses, a beam smoother, color filters and light reduction screens. **Alternatively, and again with a 7.5 watt lamp only, fixture accepts Soraa Snap System lenses, supplied by others**
- **Mini Wand fixtures are constructed of aluminum components for light-weight durability.** Because their track adapters are entirely concealed within the track, Mini Wand fixtures have an exceptionally clean appearance. Standard finish is matte white with a white socket lead; also available in black and Industrial Silver matte paint finishes.
- **For more information, [click here](#).**

APPLICATIONS

Fixture is suitable for directional accent and display highlighting in museums, galleries, showrooms, residences, restaurants, offices and stores. Fixture is listed for mounting on 120-volt Edison Price Lighting track only.

For the outlet box mounted version of this fixture, see **Mini Wand 16E O-OBM**.

MODIFICATIONS AVAILABLE

Contact factory with quantity for pricing; orders may require shop drawing approval. For modified stem lengths up to 72", add the following to the end of the product code: + number of inches.

PRODUCT CODE

Complete Product Code..... MW3-16E-O
standard finish: matte white with white socket lead

OPTIONS

Specify by adding to the product code.

- black socket lead**
 with standard matte white housing – BSLV
- matte black housing finish**
black socket lead standard – BLK
- Industrial Silver housing finish**
black socket lead standard – SIL
- custom color paint housing finish**
specify white or black socket lead – WSLV or – BSLV
and identify color in specification CCH

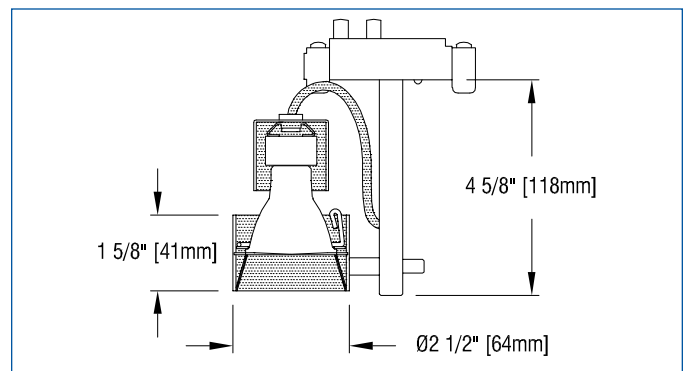
OPTICAL ACCESSORIES

Note: Suitable for use with 7.5 watt lamps only.

Specify as separate line items.

All are 2 3/8" (60mm) dia. Lenses and filters are glass; screens are aluminum.

- diffuse glass** DGS/2.375
- prismatic lens (Solite)** PLS/2.375
- 55° spread lens** LENS/2.375
- 40° x 70° spread lens** LENS/2.375-4070
- beam smoother** CLR/2.375
- color filters**
- Daylight Blue DAY/2.375
- Surprise Pink PNK/2.375
- amber AMB/2.375
- blue BLU/2.375
- green GRN/2.375
- red RED/2.375
- 33% light reduction screen** SCR33/2.375
- 50% light reduction screen** SCR50/2.375



MINI WAND 16E O

For current Soraa MR16-GU10 lamp performance data, consult www.soraa.com.