

MAXIMA® MR16 W

track mounted low voltage wallwasher



- The optical assembly for Maxima MR16 W consists of an integral specular reflector and 40° x 70° spread lens. This assembly is fixed in place for precise aiming and easily removed as a unit for relamping.
- A concealed swivel provides 385° horizontal rotation and vertical adjustment from 0° to 90°. The swivel is permanently tensioned, allowing Maxima fixtures to remain fixed at any aiming angle.
- Maxima MR16 W fixtures accept one or two of a number of [Optical Accessories](#), including a UV filter, color filters and light reduction screens.
- Maxima fixtures have seamless aluminum housings for lightweight durability and cast aluminum tops for heat dissipation. Because their track adapters are entirely concealed within the track, Maxima fixtures have an exceptionally clean appearance. Standard finish is matte white; also available in black and Industrial Silver matte paint finishes.
- For more information, [click here](#).

For the outlet box mounted version of this fixture, see **Maxima MR16 W-OBM**.

Maxima MR16 W is a wallwasher designed for use with 12-volt MR-16 flood or wide flood lamps (50-watt maximum). Fixture includes an integral electronic transformer. Fixture may be mounted on and powered by any of eighteen 20-amp 120-volt Edison Price Lighting [track systems](#).

PRODUCT CODE

Complete Product Code..... MAX MR16 W

OPTIONS

Specify by adding to the product code.

- a rocker type **on/off switch** on fixture top
white switch for white fixture, black for Silver or black fixture,
specify which for custom color fixture – SW
- equipped for **outlet box mounting** with a
4 1/2" (114mm) dia matte white box cover;
mounts directly to a standard 4" (102mm)
octagonal outlet box – OBM
- matte black** housing finish – BLK
- Industrial Silver** housing finish – SIL
- custom color** paint housing finish
identify color in specification CCH

OPTICAL ACCESSORIES

Specify as separate line items.

All are 2 3/4" (70mm) dia. Lenses and filters are glass; screens are aluminum.

- 40° x 70° spread lens** (included with fixture)..... LENS/2.75-4070
- UV filter** UVF/2.75
- color filters**
- Daylight Blue DAY/2.75
- Surprise Pink PNK/2.75
- amber AMB/2.75
- blue BLU/2.75
- green GRN/2.75
- red RED/2.75
- 33% light reduction screen** SCR33/2.75
- 50% light reduction screen** SCR50/2.75

- ▶ To minimize socket/lamp problems we recommend the use of lamps by GE, Sylvania, Philips or Ushio.
- ▶ If controlled by a dimmer, please use dimming equipment compatible with the integral electronic transformer.
- ▶ For fixtures configured for 50A track or 60A busway systems, contact factory.

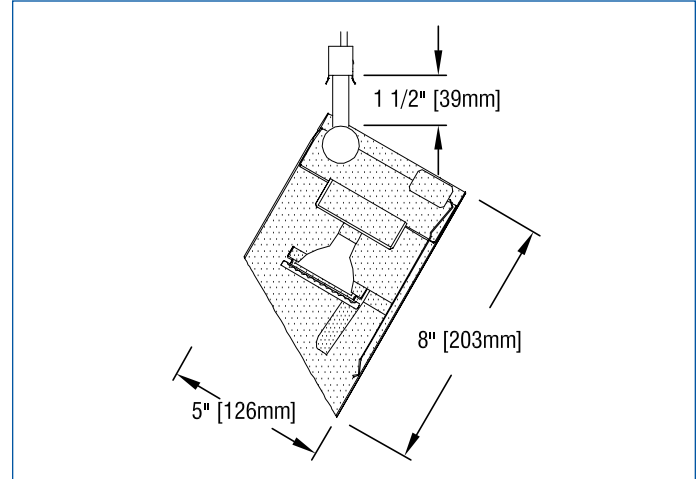


MAXIMA MR16 W


APPLICATIONS

Fixture is suitable for wallwashing vertical surfaces in museums, galleries, showrooms, residences, offices and stores.

Fixture is individually fused and  listed for mounting on Edison Price Lighting 120-volt track only.



PHOTOMETRIC REPORT

 (Luminaire Testing Laboratory, Inc.) Report No. 07844. Original test report furnished upon request.

Luminaire track-mounted adjustable wallwasher; 40° x 70° spread lens with specular reflector

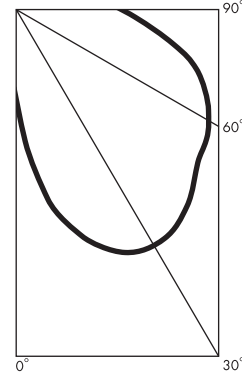
Lamp 50MR16Q/60/VWFL/T, 12V, 880 lumens (estimated)

WALLWASH INFORMATION

Distance From Ceiling (Feet)	2'6" From Wall; 2'6" O.C.		3' From Wall; 3' O.C.	
	Below Fixture	Between Fixtures	Below Fixture	Between Fixtures
1	35	32	27	24
2	36	35	29	28
3	27	26	23	23
4	19	18	17	16
5	13	13	12	12
6	9	9	9	9
7	7	7	7	7
8	5	5	5	5
9	0	0	4	4

This table lists initial illuminance values at the center of a row of at least 5 fixtures with no contribution from ceiling or floor reflectances. Fixtures were modeled with maximum candlepower at 15° above vertical for 2'6" from wall and 2'6" O.C., and 20° above vertical for 3' from wall and 3' O.C.

CANDLEPOWER DISTRIBUTION



MR-16 LAMP INFORMATION

Manufacturer	Wattage	ANSI Code	Beamspread (50% max)	Center Beam Candlepower	Average Life (Hours)
GE	20	EZX	7°	7,400	3,000
Sylvania	20	ESX	8°	6,000	4,000
Philips	20	ESX	10°	4,200	4,000
GE	20	ESX	15°	3,750	5,000
Philips	20	BAB	36°	560	4,000
Sylvania	20	BAB	40°	700	4,000
GE	20	BAB	40°	525	5,000
Sylvania	35	FRB	8°	11,000	4,000
Sylvania	35	FRA	20°	2,800	4,000
GE	35	FRA	20°	3,900	5,000
Sylvania	35	FMW	40°	1,400	4,000
GE	35	FMW	40°	1,000	5,000
GE	42	EZY	9°	12,300	3,500

Manufacturer	Wattage	ANSI Code	Beamspread (50% max)	Center Beam Candlepower	Average Life (Hours)
Philips	50	EXT	10°	11,000	4,000
Sylvania	50	EXT	12°	11,000	4,000
GE	50	EXT	15°	9,100	6,000
Philips	50	EXZ	24°	3,200	4,000
Sylvania	50	EXZ	25°	3,200	4,000
GE	50	EXZ	25°	3,200	6,000
GE	50	EXK	30°	2,500	6,000
Philips	50	EXN	38°	1,800	4,000
Sylvania	50	EXN	40°	2,000	4,000
GE	50	EXN	40°	1,700	6,000
GE	50	FNV	55°	900	6,000
Sylvania	50	FNV	60°	1,200	4,000

All values listed here are manufacturers' bare lamp data. Operation of these lamps in Maxima MR16 will produce nearly identical beamspreads.