

MIDIMAX™ LED W

track mounted LED wallwasher



MADE IN USA

[Click here!](#)



MidiMax LED W is a track mounted wallwasher powered by one of a number of Xicato LED modules, all of which are distinguished by extraordinary color consistency (within 1x2-step MacAdam ellipse). See tables on the reverse for wattages and efficacies.

- Luminaire may be configured to mount to any of eighteen 20-amp, 120-volt [track systems](#) – or – to any of six 277-volt track systems.
- Luminaire may be ordered with one of a number of drivers.
- The optical assembly for MidiMax LED W consists of an aluminum reflector and a 40° x 70° spread lens. In addition, the assembly can accept one of a number of optional [Optical Accessories](#) including color filters and screens. Assembly is keyed relative to luminaire housing, to retain critical lens orientation.
- A concealed swivel provides 385° horizontal rotation and vertical adjustment from 0° to 90°. The swivel is permanently tensioned, allowing the luminaire to remain fixed at any aiming angle.
- MidiMax luminaires have seamless aluminum housings and cast aluminum tops for lightweight durability and heat dissipation.
- For more information, [click here](#).

For the outlet box mounted version of this luminaire, see **MidiMax LED W-OBM**.

PRODUCT CODE

For complete product code, list basic unit and select one item from each following box.

Basic Unit	LX-XTM-W
Track Configuration	
120-volt track (e.g. SightLine)	2C
277-volt track (e.g. HighLine)	no switch; not dimmable HC
Finish	
white paint finish	WH
black paint finish	BL
Industrial Silver paint finish	SI
custom color paint finish	include physical chip with order CC
Driver	
dimmable to 10% (see Light Output box below) with electronic low voltage (ELV) dimmer on 120-volt track	DME
dimmable to 5% (see Light Output box below) with either incandescent or electronic low voltage (ELV) dimmer on 120-volt track	DMP
non dimmable (see Light Output box below) the only choice for 277-volt track; may be selected for 120-volt track as well	UNV
Light Source Output	
1000 lumens / CRI 98 Artist	DMP (5%) or UNV L10A
1400 lumens / CRI 98 Artist	DMP (5%) or UNV L14A
1500 lumens / CRI 80+	DMP (5%) or UNV L15S
1500 lumens / CRI 80+ Vibrant..3000K only ..	DMP (5%) or UNV L15V
2100 lumens / CRI 80+	DMP (5%) or UNV L21S
2100 lumens / CRI 80+ Vibrant..3000K only ..	DMP (5%) or UNV L21V
2140 lumens / CRI 98 Artist	DME (10%) or UNV L21A
3000 lumens / CRI 80+	DME (10%) or UNV L30S
3000 lumens / CRI 80+ Vibrant..3000K only ..	DME (10%) or UNV L30V
Light Color	
2700 K	27K
3000 K	30K
3500 K	35K
4000 K	40K

OPTIONS *Specify by adding to the product code.*

a rocker type on/off switch on fixture top, for use on 120-volt track only	SW
<i>white switch for white fixture, black for Silver or black fixture, specify which for custom color fixture</i>	

► For luminaires modified for 50A or 60A track systems, contact factory.

OPTICAL ACCESSORIES

Specify as separate line items.

All are 3 3/4" (95mm) dia. Filters are glass; screens are aluminum.

color filters	
Daylight Blue	DAY/3.75
Surprise Pink	PNK/3.75
amber	AMB/3.75
blue	BLU/3.75
green	GRN/3.75
red	RED/3.75
33% light reduction screen	SCR33/3.75
50% light reduction screen	SCR50/3.75



41-50 22ND STREET, LIC NY 11101 TEL 718.685.0700 FAX 718.786.8530 www.epl.com


©Copyright, Edison Price Lighting 2016

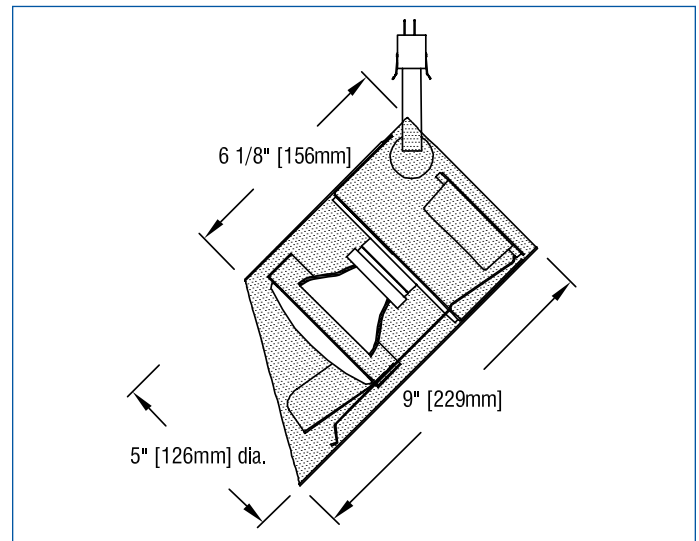
MidiMax is a pending trademark of Edison Price Lighting.

TF 11-126 1:16

APPLICATIONS

Luminaire is suitable for highlighting vertical surfaces in museums, galleries, showrooms, residences, offices and stores.

Luminaire is  listed for mounting on Edison Price Lighting 120-volt or 277-volt track.



– see below for photometric reports –



PHOTOMETRIC REPORT (tested per IESNA LM-79-2008)

Data prorated from Verification Services Report No. 1161145. Original report furnished upon request.

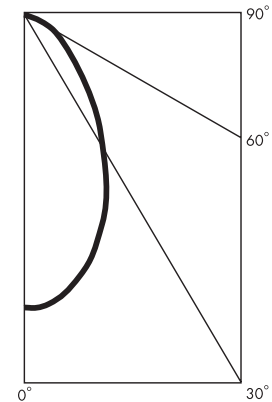
Luminaire track-mounted LED wallwasher with a 60° internal reflector, a 40° x 70° spread lens and a specular kicker reflector.
 Lamp Xicato LED Module, 2100 lumens, 3000K

WALLWASH INFORMATION

Distance From Ceiling (Feet)	3' From Wall; 3' O.C. (2100 lumens)		3' 6" From Wall; 3' 6" O.C. (2100 lumens)		4' From Wall; 4' O.C. (3000 lumens)	
	Below Fixture	Between Fixtures	Below Fixture	Between Fixtures	Below Fixture	Between Fixtures
1	18	16	15	13	12	11
2	30	26	22	19	19	16
3	34	32	27	24	23	21
4	31	31	26	26	25	23
5	27	26	23	23	23	23
6	22	21	20	20	21	21
7	18	17	17	16	19	18
8	14	14	14	13	16	16
9	11	11	11	11	14	14
10	9	9	9	9	12	12
11	7	7	7	7	10	10
12	6	6	6	6	9	8
13					7	7
14					6	6
15					6	5

This table lists initial illuminance values at the center of a row of at least 5 fixtures with no contribution from ceiling or floor reflectance. Fixtures were modeled with maximum candlepower at 10° to 15° above vertical.

CANDLEPOWER DISTRIBUTION



STANDARD DRIVER INFORMATION (UL Class 2, dry and damp location)

Voltage	120	277
Input Watts (1000A/1400A/2100A/1500/2100/3000 lumens)	14/21/26/18/23/34	14/21/26/18/23/34
Input Current(A) (1000A/1400A/2100A/1500/2100/3000 lumens)	.12/.18/.22/.15/.19/.28	.05/.08/.09/.06/.08/.13
Output Current (mA)	500-1050	500-1050
Min. Power Factor	0.90	0.90
Operating Temperature Range (F)	-13 to 122	-13 to 122

LIGHT OUTPUT MULTIPLIER

1000 lumens Artist LED module	1400 lumens Artist LED module	2100 lumens Artist LED module	1500 lumens & Vibrant LED module	2100 lumens & Vibrant LED module	3000 lumens & Vibrant LED module
.47 (estimated)	.67 (estimated)	1	.75 (estimated)	1	1.40 (estimated)

LUMINAIRE LIGHT OUTPUT AND EFFICACY

LED Module Type	Luminaire Light Output	Luminaire Efficacy (lms/watt)	System Wattage
1000 Lumens Artist	491*	36*	14
1400 Lumens Artist	705*	34*	21
2100 Lumens Artist	1047*	40*	26
1500 Lumens standard & Vibrant	783*	44*	18
2100 Lumens standard & Vibrant	1047	47	23
3000 Lumens standard & Vibrant	1466*	43*	34

*estimated values