

MAXIMA® MR16 O-OBM

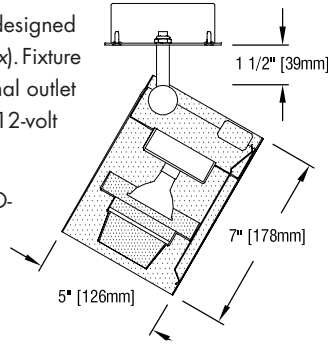
surface mounted low voltage accent light

LOW
VOLTAGE
2-255

FEATURES

Maxima MR16 O-OBM is an accent light designed for use with 12-volt MR-16 lamps (50-watt max). Fixture is designed for mounting on a 4" octagonal outlet box (by others) and has an integral 120/12-volt electronic transformer.

The optical assembly for Maxima MR16 O-OBM consists of a prismatic lens and a matte black conical baffle which minimizes lamp brightness. The assembly is fixed in place for precise aiming and easily removed as a unit for relamping.



A concealed swivel provides 385° horizontal rotation and vertical adjustment from 0° to 90°. The swivel is permanently tensioned, allowing Maxima fixtures to remain fixed at any aiming angle.

Maxima MR16 O fixtures accept one or two of a number of Optical Accessories, including spread lenses, a beam smoother, a UV filter, color filters and light reduction screens.

Maxima fixtures have seamless aluminum housings for lightweight durability and cast aluminum tops for heat dissipation. Standard finish is matte white; also available in black and Industrial Silver matte paint finishes.

APPLICATIONS



Fixtures are suitable for highlighting vertical or horizontal surfaces, as well as objects in museums, galleries, showrooms, residences, offices and stores.

Fixtures are suitable for 120-volt electrical service and listed for mounting on a standard 4" octagonal outlet box (by others).

PRODUCT CODE

Complete Product Code..... MAX MR16 O-OBM

OPTIONS

Specify by adding to the product code.

a rocker type **on/off switch** on fixture top (50-watt maximum)..... - SW

matte black housing finish for on/off switch, consult factory - BLK

Industrial Silver housing finish for on/off switch, consult factory - SIL

custom color paint housing finish identify color in specification CCH

OPTICAL ACCESSORIES

Specify as separate line items.

All are 2 3/4" (70mm) dia. Lenses and filters are glass; screen is aluminum.

diffuse glass DGS/2.75

55° spread lens LENS/2.75

prismatic lens (Solite; included with fixture) PLS/2.75

40° x 70° spread lens LENS/2.75-4070

beam smoother CLR/2.75

UV filter UVF/2.75

color filters

Daylight Blue DAY/2.75

Surprise Pink PNK/2.75

amber AMB/2.75

blue BLU/2.75

green GRN/2.75

red RED/2.75

33% light reduction screen SCR33/2.75

50% light reduction screen SCR50/2.75

► To minimize socket/lamp problems we recommend the use of lamps by GE, Sylvania, Philips or Ushio.

► **Important installation note:** If controlled by a dimmer, please use dimming equipment compatible with the design (electronic or magnetic) of the fixture transformer.



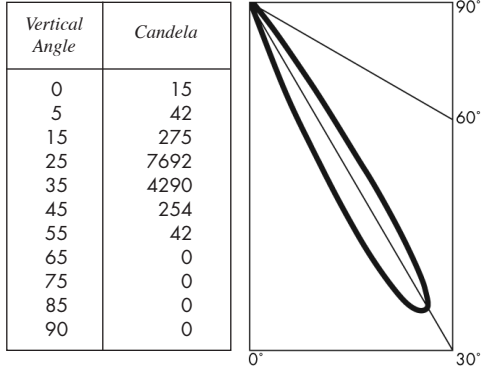
MAXIMA MR16 O-OBM

PHOTOMETRIC REPORT – SPOT (EXT)

Report No. 43702. Original Independent Testing Laboratories, Inc. (ITL) test report furnished upon request.

Luminaire surface mounted accent light; black optical assembly and clear protective glass; aimed at 30° above vertical
 Lamp 50-watt MR-16 quartz, 12V, 14° beam spread, 960 lumens
 Efficiency 62.9%

CANDLEPOWER DISTRIBUTION

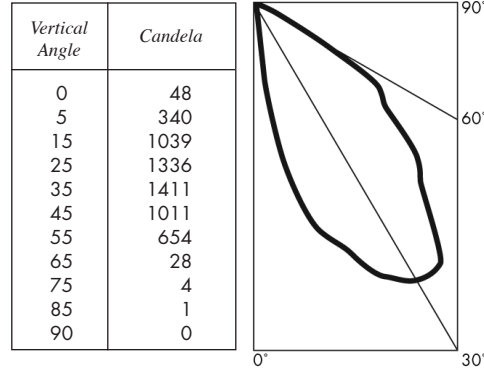


PHOTOMETRIC REPORT – FLOOD (EXN)

Report No. 43701. Original Independent Testing Laboratories, Inc. (ITL) test report furnished upon request.

Luminaire surface mounted accent light; black optical assembly and clear protective glass; aimed at 30° above vertical
 Lamp 50-watt MR-16 quartz, 12V, 40° beam spread, 960 lumens
 Efficiency 62.6%

CANDLEPOWER DISTRIBUTION



MR-16 LAMP INFORMATION

Manufacturer	Wattage	ANSI Code	Beamspread (50% max)	Center Beam Candlepower	Average Life (Hours)
GE	20	EZX	7°	7,400	3,000
Sylvania	20	ESX	8°	6,000	4,000
Philips	20	ESX	10°	4,200	4,000
GE	20	ESX	15°	3,750	5,000
Philips	20	BAB	36°	560	4,000
Sylvania	20	BAB	40°	700	4,000
GE	20	BAB	40°	525	5,000
Sylvania	35	FRB	8°	11,000	4,000
Sylvania	35	FRA	20°	2,800	4,000
GE	35	FRA	20°	3900	5,000
Sylvania	35	FMW	40°	1,400	4,000
GE	35	FMW	40°	1,000	5,000
GE	42	EZY	9°	12,300	3,500

Manufacturer	Wattage	ANSI Code	Beamspread (50% max)	Center Beam Candlepower	Average Life (Hours)
Philips	50	EXT	10°	11,000	4,000
Sylvania	50	EXT	12°	11,000	4,000
GE	50	EXT	15°	9,100	6,000
Philips	50	EXZ	24°	3,200	4,000
Sylvania	50	EXZ	25°	3,200	4,000
GE	50	EXZ	25°	3,200	6,000
GE	50	EXK	30°	2,500	6,000
Philips	50	EXN	38°	1,800	4,000
Sylvania	50	EXN	40°	2,000	4,000
GE	50	EXN	40°	1,700	6,000
GE	50	FNV	55°	900	6,000
Sylvania	50	FNV	60°	1,200	4,000

All values listed here are manufacturers' bare lamp data. Operation of these lamps in Maxima MR16 will produce nearly identical beamsreads.