

# MAXIMA® MR16 W-OBM

surface mounted low voltage wallwasher

LOW  
VOLTAGE  
2-256

## FEATURES

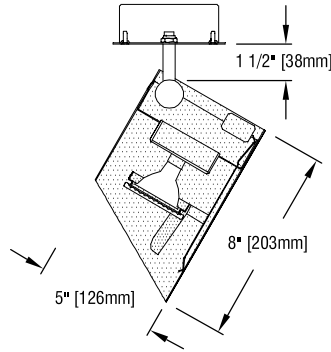
Maxima MR16 W-OBM is a wallwasher designed for use with 12-volt MR-16 flood or wide flood lamps (50-watt max). Fixture is designed for mounting on a 4" octagonal outlet box (by others) and has an integral 120/12-volt electronic transformer.

The optical assembly for Maxima MR16 W-OBM consists of an integral specular reflector and 40° x 70° spread lens. The assembly is fixed in place for precise aiming and easily removed as a unit for relamping.

A concealed swivel provides 385° horizontal rotation and vertical adjustment from 0° to 90°. The swivel is permanently tensioned, allowing Maxima fixtures to remain fixed at any aiming angle.

Maxima MR16 W-OBM fixtures accept one or two of a number of Optical Accessories, including a UV filter, color filters and light reduction screens.

Maxima fixtures have seamless aluminum housings for lightweight durability and cast aluminum tops for heat dissipation. Standard finish is matte white; also available in black and Industrial Silver matte paint finishes.



## APPLICATIONS

Fixtures are suitable for wallwashing vertical surfaces in museums, galleries, showrooms, residences, offices and stores.

Fixtures are suitable for 120-volt electrical service and cULus listed for mounting on a standard 4" octagonal outlet box (by others).



## PRODUCT CODE

Complete Product Code.....MAX MR16 W-OBM

## OPTIONS

Specify by adding to the product code.

a rocker type **on/off switch** on fixture top  
(50-watt maximum)..... – SW

**matte black** housing finish  
for on/off switch, consult factory ..... – BLK

**Industrial Silver** housing finish  
for on/off switch, consult factory ..... – SIL

**custom color** paint housing finish  
identify color in specification ..... CCH

## OPTICAL ACCESSORIES

Specify as separate line items.

All are 2 3/4" (70mm) dia. Lenses and filters are glass; screen is aluminum.

**40° x 70° spread lens** (included with fixture)..... LENS/2.75-4070

**UV filter** ..... UVF/2.75

**color filters**

Daylight Blue ..... DAY/2.75

Surprise Pink ..... PNK/2.75

amber ..... AMB/2.75

blue ..... BLU/2.75

green ..... GRN/2.75

red ..... RED/2.75

**33% light reduction screen** ..... SCR33/2.75

**50% light reduction screen** ..... SCR50/2.75

- ▶ To minimize socket/lamp problems we recommend the use of lamps by GE, Sylvania, Philips or Ushio.
- ▶ **Important installation note:** If controlled by a dimmer, please use dimming equipment compatible with the design (electronic or magnetic) of the fixture transformer.



# MAXIMA MR16 W-OBM

## PHOTOMETRIC REPORT

**LTL** (Luminaire Testing Laboratory, Inc.) Report No. 07844. Original test report furnished upon request.

Luminaire ..... surface mounted adjustable wallwasher; 40° x 70° spread lens with specular reflector

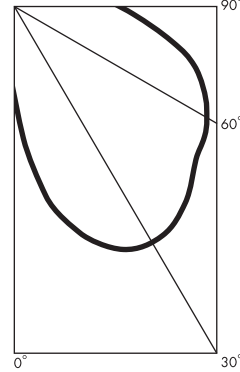
Lamp ..... 50MR16Q/60/VWFL/T, 12V, 880 lumens (estimated)

### WALLWASH INFORMATION

Distance From Ceiling (Feet)	2'6" From Wall; 2'6" O.C.		3' From Wall; 3' O.C.	
	Below Fixture	Between Fixtures	Below Fixture	Between Fixtures
1	35	32	27	24
2	36	35	29	28
3	27	26	23	23
4	19	18	17	16
5	13	13	12	12
6	9	9	9	9
7	7	7	7	7
8	5	5	5	5
9	0	0	4	4

This table lists initial illuminance values at the center of a row of at least 5 fixtures with no contribution from ceiling or floor reflectances. Fixtures were modeled with maximum candlepower at 15° above vertical for 2'6" from wall and 2'6" O.C., and 20° above vertical for 3' from wall and 3' O.C.

### CANDLEPOWER DISTRIBUTION



### MR-16 LAMP INFORMATION

Manufacturer	Wattage	ANSI Code	Beamspread (50% max)	Center Beam Candlepower	Average Life (Hours)
GE	20	EZX	7°	7,400	3,000
Sylvania	20	ESX	8°	6,000	4,000
Philips	20	ESX	10°	4,200	4,000
GE	20	ESX	15°	3,750	5,000
Philips	20	BAB	36°	560	4,000
Sylvania	20	BAB	40°	700	4,000
GE	20	BAB	40°	525	5,000
Sylvania	35	FRB	8°	11,000	4,000
Sylvania	35	FRA	20°	2,800	4,000
GE	35	FRA	20°	3,900	5,000
Sylvania	35	FMW	40°	1,400	4,000
GE	35	FMW	40°	1,000	5,000
GE	42	EZY	9°	12,300	3,500

Manufacturer	Wattage	ANSI Code	Beamspread (50% max)	Center Beam Candlepower	Average Life (Hours)
Philips	50	EXT	10°	11,000	4,000
Sylvania	50	EXT	12°	11,000	4,000
GE	50	EXT	15°	9,100	6,000
Philips	50	EXZ	24°	3,200	4,000
Sylvania	50	EXZ	25°	3,200	4,000
GE	50	EXZ	25°	3,200	6,000
GE	50	EXK	30°	2,500	6,000
Philips	50	EXN	38°	1,800	4,000
Sylvania	50	EXN	40°	2,000	4,000
GE	50	EXN	40°	1,700	6,000
GE	50	FNV	55°	900	6,000
Sylvania	50	FNV	60°	1,200	4,000

All values listed here are manufacturers' bare lamp data. Operation of these lamps in Maxima MR16 will produce nearly identical beamspreads.