

ARTIMA® 38 W-OBM

surface mounted wallwasher

PAR LAMP
4-523

FEATURES

Artima 38 W-OBM is a wallwasher designed for use with PAR-38 flood lamps (250-watt maximum). Fixture is designed for mounting on a 4" octagonal outlet box (by others).

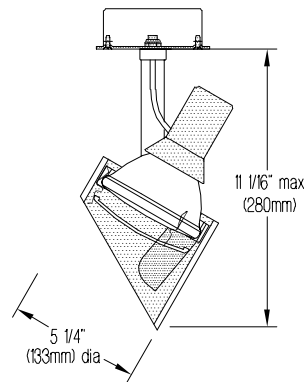
The optical assembly for Artima 38 W-OBM consists of an internal specular reflector and a 40° x 70° spread lens. This assembly and its setting, is entirely undisturbed by relamping.

A flared socket cap and light shield ring prevent any backslash of light onto the ceiling.

Artima 38 W-OBM fixtures provide 385° horizontal rotation and vertical adjustment from 0° to 90°. Lamp focus can be locked by tightening two collar clamps using a 5/64" hex key.

Artima 38 W-OBM fixtures accept one or two of a number of Optical Accessories including a UV filter, color filters and light reduction screens.

Standard finish is matte white with a white socket lead; also available in black and Industrial Silver matte paint finishes.



APPLICATIONS



Fixtures are suitable for wallwashing vertical surfaces in museums, galleries, showrooms, residences, offices and stores.

Fixtures are suitable for 120-volt electrical service and cUL^{us} listed for mounting on a standard 4" octagonal outlet box (by others).

PRODUCT CODE

Complete Product Code ART 38 W-OBM
standard finish: matte white with white socket lead

OPTIONS

Specify by adding to the product code.

matte black housing finish

black socket lead standard - BLK

Industrial Silver housing finish

black socket lead standard - SIL

custom color paint housing finish

specify white or black socket lead - WSLV or - BSLV
and identify color in specification CCH

OPTICAL ACCESSORIES

Specify as separate line items.

All are 4 3/4" (121mm) dia. Lenses and filters are glass; screens are aluminum.

40° x 70° spread lens (included with fixture) LENS/4.75-4070

UV filter UVF/4.75

color filters

Daylight Blue DAY/4.75

Surprise Pink PNK/4.75

amber AMB/4.75

blue BLU/4.75

green GRN/4.75

red RED/4.75

33% light reduction screen SCR33/4.75

50% light reduction screen SCR50/4.75



ARTIMA 38 W-OBM



PHOTOMETRIC REPORT

Report No. 46845. Original Independent Testing Laboratories, Inc. (ITI) test report furnished upon request.

Luminairesurface mounted adjustable wallwasher; 40° x 70° spread lens with specular reflector

Lamp100-watt PAR-38 HIR FL, 2070 lumens

WALLWASH INFORMATION

Distance From Ceiling (Feet)	3' From Wall; 3' O.C.		3'6" From Wall; 3'6" O.C.		4' From Wall; 4' O.C.	
	Below Fixture	Between Fixtures	Below Fixture	Between Fixtures	Below Fixture	Between Fixtures
1	43	35	32	26	25	20
2	57	44	42	33	33	26
3	63	52	49	38	40	29
4	62	57	52	45	44	36
5	51	50	46	43	41	37
6	40	41	37	37	35	33
7	31	32	30	30	29	28
8	24	25	23	24	23	23
9	19	19	19	19	18	19
10	15	15	15	15	15	15
11	12	12	12	12	12	12
12	10	10	10	10	10	10

This table lists initial illuminance values at the center of a row of at least 5 fixtures with no contribution from ceiling or floor reflectances. Fixtures were modeled with maximum candlepower at 21°-25° above vertical.

CANDLEPOWER DISTRIBUTION

