

MAXIMA® 38 O-OBM

PAR LAMP
4-524

surface mounted accent light

FEATURES

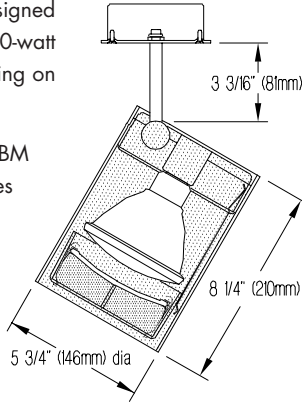
Maxima 38 O-OBM is an accent light designed for use with PAR-38 flood or spot lamps (250-watt maximum). Fixture is designed for mounting on a 4" octagonal outlet box (by others).

The optical assembly for Maxima 38 O-OBM is a matte black cross-baffle which reduces spill light and controls lamp brightness. The assembly is fixed in place for precise aiming and easily removed as a unit for relamping.

A concealed swivel provides 385° horizontal rotation and vertical adjustment from 0° to 90°. The swivel is permanently tensioned, allowing Maxima fixtures to remain fixed at any aiming angle.

Maxima 38 O-OBM fixtures accept one or two of a number of Optical Accessories including spread lenses, a beam smoother, a UV filter, color filters and light reduction screens. We especially recommend the addition of one of our spread lenses when using the Maxima 38 O-OBM for critical display functions.

Maxima fixtures have seamless aluminum housings for lightweight durability and cast aluminum tops for heat dissipation. Standard finish is matte white; also available in black and Industrial Silver matte paint finishes.



APPLICATIONS



Fixture is suitable for highlighting vertical or horizontal surfaces, as well as objects in museums, galleries, showrooms, residences, offices and stores.

Fixture is suitable for 120-volt electrical service and UL listed for mounting on a standard 4" octagonal outlet box (by others).

PRODUCT CODE

Complete Product Code..... MAX 38 O-OBM

OPTIONS

Specify by adding to the product code.

- a rocker type **on/off switch** on fixture top - SW
- matte black** housing finish
for on/off switch, consult factory - BLK
- Industrial Silver** housing finish
for on/off switch, consult factory - SIL
- custom color** paint housing finish
identify color in specification CCH

OPTICAL ACCESSORIES

Specify as separate line items, only for use with one of the above.

All are 4 3/4" (121mm) dia. Lenses and filters are glass; screens are aluminum.

- 30° spread lens** LENS/4.75-30
- 30° Daylight Blue spread lens** DAY LENS/4.75-30
- 20° x 55° spread lens** LENS/4.75
- 55° Daylight Blue spread lens** DAY LENS/4.75
- 70° spread lens** LENS/4.75-70
- prismatic lens (Solite)** PLS/4.75
- 40° x 70° spread lens** LENS/4.75-4070
- beam smoother** CLR/4.75
- UV filter** UVF/4.75
- color filters**
- Daylight Blue DAY/4.75
- Surprise Pink PNK/4.75
- amber AMB/4.75
- blue BLU/4.75
- green GRN/4.75
- red RED/4.75
- 33% light reduction screen** SCR33/4.75
- 50% light reduction screen** SCR50/4.75



PHOTOMETRIC REPORT – SPOT

Report No. 46844. Original Independent Testing Laboratories, Inc. (ITL) test report furnished upon request.

Luminaire surface mounted adjustable accent light;
black cross-baffle; aimed at 30°
above vertical

Lamp 100-watt PAR-38 HIR SP, 2070 lumens

Efficiency 52.5%

PHOTOMETRIC REPORT – FLOOD

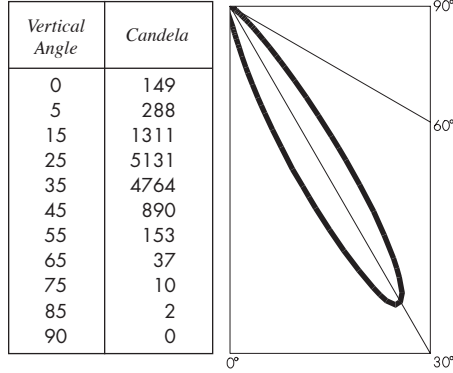
Report No. 46843. Original Independent Testing Laboratories, Inc. (ITL) test report furnished upon request.

Luminaire surface mounted adjustable accent light
with 55° spread lens; black cross-baffle;
aimed at 30° above vertical

Lamp 100-watt PAR-38 HIR FL, 2070 lumens

Efficiency 46.8%

CANDLEPOWER DISTRIBUTION



CANDLEPOWER DISTRIBUTION

