

Project

Type



Date

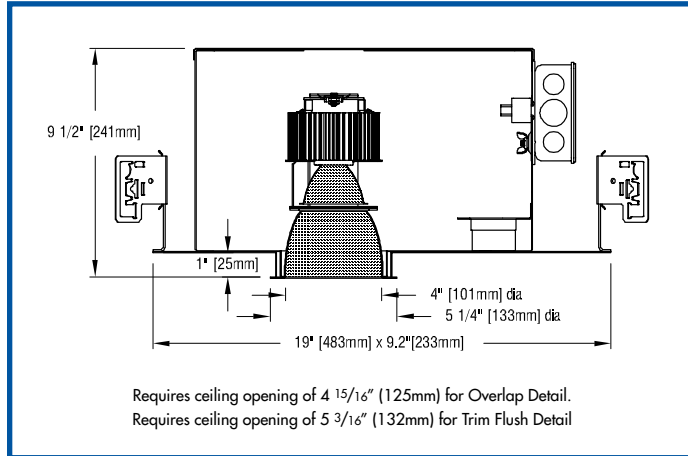
Product Code

Designer

EPIC FOUR HI CZS DL

recessed IC LED downlight

HIGH OUTPUT - HIGH OUTPUT - HIGH OUTPUT - HIGH OUTPUT - HIGH OUTPUT - HIGH OUTPUT - HIGH OUTPUT - HIGH OUTPUT



FEATURES

- **EPIC FOUR HI CZS DL is a 4" aperture LED downlight** designed for insulation contact (IC) and certified airtight under ASTM E183. Luminaire is powered by Citizen chip-on-board LED's providing CRI's of 80+, 90+ or 97. See tables below for wattages and efficacies.
- **Precise external reflector design minimizes aperture brightness** and provides a shielding angle of 40°. A thin, highly efficient plastic diffuser is included to obscure the LED module from view from below.
- **Luminaire employs an internal 'twist and lock' reflector** to produce an initial beamspread of 31°, 40° or 56°. To allow beamspread to be changed in installed luminaires, internal reflectors are available as accessories.
- **An optional integral holder (DG)** permits the use of one or two of a number of **Optical Accessories** including lenses and color filters. A complimentary Solite prismatic lens is included with this option.
- **External reflectors are available in three clear natural aluminum finishes** — semi-specular (C), slightly diffuse (V) or fully diffuse (EC) — as well as champagne gold, black Alzak® or white. Other finishes available on special order.
- **Luminaire includes a pair of residential mounting bars** extendable to 20" and designed for use in wood joists.
- **For more information, [click here](#).**

APPLICATIONS

Luminaire is listed for direct contact with insulation, certified airtight under ASTM E283, and suitable for damp location. Luminaire is prewired, suitable for use in a fire rated ceiling, and approved for eight #12 wire 75 C branch circuit pull-through wiring. Removal of the external reflector allows access to the LED module, driver and junction box.



PRODUCT CODE

For complete product code, list basic unit and select one item from each following box.

Basic Unit	
no lens holder.....	EPIC-CZS2-4DL
with lens holder.....	EPIC-CZS2-4DG
Internal Reflector	
31° initial beam spread	31D
40° initial beam spread	40D
56° initial beam spread	56D
Driver	
dimable to 1% by a 0-10V dimmer on 120 or 277-volt service	DMV
dimable to 5% by either an incandescent or ELV dimmer; 120-volt service only	DMP
dimable to 1% by a 2-wire Lutron compatible dimmer	DMILU
dimable to 1% SoftOn/FadeToBlack by a Lutron EcoSystem control	ECO-LU
eldoLED 0-10V (Logarithmic) driver dimmable to 0.1% with a 0-10V dimmer on 120 or 277-volt service	DVOELG
eldoLED 0-10V (Linear) driver dimmable to 0.1% with a 0-10V dimmer on 120 or 277-volt service	DVOELN
eldoLED driver dimmable to 0.1%, compatible with DALI control system	DA0-EL

Light Source Output (Lumens)	
1500L / CRI 97	2700K & 3000K only - L15A
2100L	2700K & 3000K only - L21A
1700L / CRI 90+	2700K & 3000K only - L17H
2300L	2700K & 3000K only - L23H
1900L / CRI 80+ - L19S
2700L - L27S

Light Color	
2700 K - 27K
3000 K - 30K
3500 K	not available in CRI 90+ and CRI 97 - 35K
4000 K	not available in CRI 90+ and CRI 97 - 40K
5000 K	not available in CRI 90+ and CRI 97 - 50K

Voltage	
120 volt service - 120
277 volt service - 277

External Reflector Color and Detail	<i>Overlap</i>	<i>Trim Flush*</i>
Semi-specular Clear	COL	CTF
Slightly diffuse Clear	VOL	VTF
Fully diffuse Clear	ECOL	ECTF
Champagne Gold	GOL	GTF
Black	BOL	BTF
White	WOL	WTF

Standard reflector flange continues reflector finish. White painted flanges and custom painted flanges are available on special order. Add WF (white flange) or CCF (custom color flange).
*Trim Flush reflector trim requires the use of a plaster ring Accessory (see below).
▶ Reflectors detailed for metal or wood ceilings available on special order.

ACCESSORIES

Specify as separate line item.

Plaster ring allows use of 4 7/8" OD Trim Flush (-TF) reflector in sheetrock ceiling: 5 3/16" dia hole required	- TF RING/4
---	-------------

EXTRA REFLECTORS

Specify as separate line items.

31° initial beam spread	CZS-REF31
40° initial beam spread	CZS-REF40
56° initial beam spread	CZS-REF56



41-50 22ND STREET, LIC NY 11101 TEL 718.685.0700 FAX 718.786.8530 www.epl.com

©Copyright, Edison Price Lighting 2019

E 6-047 6:19

OPTICAL ACCESSORIES *Specify as separate line*

For use only with the "lens holder" fixture model; see Product Code / Basic Unit above.
All are 3 3/4" (95mm) diameter. Lenses and filters are glass; screens are aluminum.

prismatic lens (Solite)	PLS/3.75
55° spread lens	LENS/3.75
40° x 70° spread lens	LENS/3.75-4070
beam smoother	CLR/3.75
33% light reduction screen	SCR33/3.75
50% light reduction screen	SCR50/3.75

color filters

surprise pink	PNK/3.75
daylight blue.....	DAY/3.75
amber	AMB/3.75
blue	BLU/3.75
green	GRN/3.75
red	RED/3.75

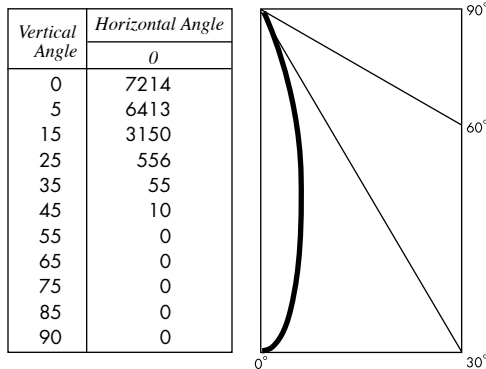
PHOTOMETRIC REPORT with 31° reflector (TESTED PER IESNA LM-79-2008)

Leading Testing Laboratories Report No. UT18080004-01a. Original test report furnished upon request.

Luminaire recessed LED round downlight with semi-specular clear aluminum reflector
Lamp Citizen LED, 2700 lumens, 3000K CCT, 80 CRI, with 31° beam spread integral reflector and DIF15 diffuser
Lamp Life rated 50,000 hours based on L70/B50 criteria. LM80 report by LED manufacturer furnished upon request
Spacing Criteria 0.5

CANDLEPOWER DISTRIBUTION (Candela)

(based on a 2700 lumen LED test)



LUMINAIRE LIGHT OUTPUT AND EFFICACY

(based on a 2700 lumen LED test)

LED Light Engine	Luminaire Light Output	Luminaire Efficacy (lms/watt)	System Wattage
1500 Lumens 97 CRI (L15A)	958*	60*	16
2100 Lumens 97 CRI (L21A)	1307*	62*	21
1700 Lumens 90 CRI (L17H)	1063*	66*	16
2300 Lumens 90 CRI (L23H)	1463*	70*	21
1900 Lumens 80 CRI (L19S)	1254*	78*	16
2700 Lumens 80 CRI (L27S)	1742	83	21

*estimated values

LUMINANCE DATA

(based on a 2700 lumen LED test)

Vertical Angle	Candelaim ²
45	3300
55	0
65	0
75	0
85	0

ZONAL LUMEN SUMMARY

(based on a 2700 lumen LED test)

Zone	Lumens	% Fixture
0 - 40°	1732	99.4
0 - 60°	1740	99.9
0 - 90°	1740	99.9
90 - 180°	3	0.1

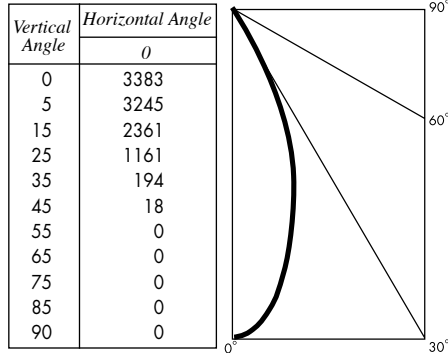
PHOTOMETRIC REPORT with 40° reflector (tested per IESNA LM-79-2008)

Leading Testing Laboratories Report No. UT18080004-02a. Original test report furnished upon request.

Luminaire recessed LED round downlight with semi-specular clear aluminum reflector
 Light Source Citizen LED, 2700 lumens, 3000K CCT, 80 CRI, with 40° beam spread integral reflector and DIF30 diffuser
 Lamp Life rated 50,000 hours based on L70/B50 criteria. LM80 report by LED manufacturer furnished upon request
 Spacing Criteria 0.68

CANDLEPOWER DISTRIBUTION (Candela)

(based on a 2700 lumen LED test)



LUMINAIRE LIGHT OUTPUT AND EFFICACY

(based on a 2700 lumen LED test)

LED Light Engine	Luminaire Light Output	Luminaire Efficacy (lms/watt)	System Wattage
1500 Lumens 97 CRI (L15A)	902*	56*	16
2100 Lumens 97 CRI (L21A)	1230*	58*	21
1700 Lumens 90 CRI (L17H)	1000*	63*	16
2300 Lumens 90 CRI (L23H)	1378*	66*	21
1900 Lumens 80 CRI (L19S)	1181*	74*	16
2700 Lumens 80 CRI (L27S)	1640	78	21

*estimated values

LUMINANCE DATA

(based on a 2700 lumen LED test)

Vertical Angle	Candelam ²
45	6092
55	0
65	0
75	0
85	0

ZONAL LUMEN SUMMARY

(based on a 2700 lumen LED test)

Zone	Lumens	% Fixture
0 - 40°	1618	98.7
0 - 60°	1635	99.7
0 - 90°	1635	99.7
90 - 180°	5	.3

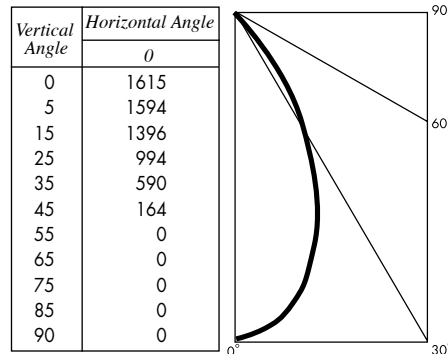
PHOTOMETRIC REPORT with 56° reflector (tested per IESNA LM-79-2008)

Leading Testing Laboratories Report No. UT18080004-03a. Original test report furnished upon request.

Luminaire recessed LED round downlight with semi-specular clear aluminum reflector
 Light Source Citizen LED, 2700 lumens, 3000K CCT, 80 CRI, with 56° beam spread integral reflector and DIF80 diffuser
 Lamp Life rated 50,000 hours based on L70/B50 criteria. LM80 report by LED manufacturer furnished upon request
 Spacing Criteria 0.9

CANDLEPOWER DISTRIBUTION (Candela)

(based on a 2700 lumen LED test)



LUMINAIRE LIGHT OUTPUT AND EFFICACY

(based on a 2700 lumen LED test)

LED Light Engine	Luminaire Light Output	Luminaire Efficacy (lms/watt)	System Wattage
1500 Lumens 97 CRI (L15A)	826*	52*	16
2100 Lumens 97 CRI (L21A)	1127*	54*	21
1700 Lumens 90 CRI (L17H)	916*	57*	16
2300 Lumens 90 CRI (L23H)	1262*	60*	21
1900 Lumens 80 CRI (L19S)	1081*	68*	16
2700 Lumens 80 CRI (L27S)	1502*	72*	21

*estimated values

LUMINANCE DATA

(based on a 2700 lumen LED test)

Vertical Angle	Candelam ²
45	55333
55	0
65	0
75	0
85	0

ZONAL LUMEN SUMMARY

(based on a 2700 lumen LED test)

Zone	Lumens	% Fixture
0 - 40°	1362	90.6
0 - 60°	1502	100.0
0 - 90°	1502	100.0
90 - 180°	0	0.0

LIGHT OUTPUT MULTIPLIER

(based on a 2700 lumen LED test)

LED Light Engine	Light Output Multiplier
1500 Lumens 97 CRI (L15A)	0.55*
2100 Lumens 97 CRI (L21A)	0.75*
1700 Lumens 90 CRI (L17H)	0.61*
2300 Lumens 90 CRI (L23H)	0.84*
1900 Lumens 80 CRI (L19S)	0.72*
2700 Lumens 80 CRI (L27S)	1

*estimated values

STANDARD DRIVER INFORMATION

(UL Class 2, dry and damp location)

Voltage	120	277
Input Watts (L15A/L21A/L17H/L23H/L19S/L27S lumens)	16/21	16/21
Input Current (A) (L15A/L21A/L17H/L23H/L19S/L27S lumens)	.13/.18	.06/.08
Output Current (mA)	350-500	350-500
Min. Power Factor	>0.9	>0.9
Operating Temperature Range (F)	-4 to 122	-4 to 122

REFLECTOR COLOR MULTIPLIERS

Semi-specular clear (C)	1
Slightly diffuse clear (V)	.95
Fully diffuse clear (EC)	.88
Champagne gold clear (G)	.95
Black (B)	.49

LED CCT MULTIPLIERS

2700K	.96
3000K	1
3500K	1.02
4000K	1.03
5000K	1.04