

Project

Type



MADE IN USA

[Click Here](#)

Date

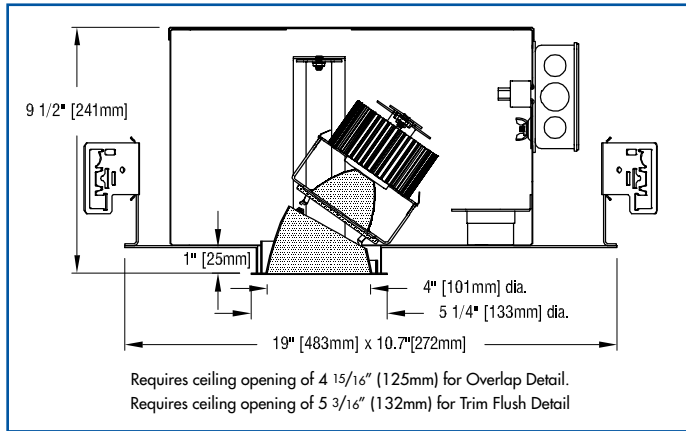
Product Code

Designer

EPIC FOUR HI CZS AA

recessed IC LED accent light

HIGH OUTPUT - HIGH OUTPUT - HIGH OUTPUT - HIGH OUTPUT - HIGH OUTPUT - HIGH OUTPUT - HIGH OUTPUT - HIGH OUTPUT



FEATURES

- **EPIC FOUR HI CZS AA is a 4" aperture LED accent light** designed for insulation contact (IC) and certified airtight under ASTM E183. Luminaire is powered by Citizen chip-on-board LED's providing CRI's of 80+, 90+ or 97. See tables below for wattages and efficacies.
- **Luminaire employs an internal 'twist and lock' reflector** to produce an initial beamspread of 15°, 31°, 40° or 56°. To allow beamspread to be changed in installed luminaires, internal reflectors are available as accessories. Precise reflector design minimizes aperture brightness.
- **Luminaire provides 363° horizontal rotation and 0°- 35° angular adjustment** with lockable focus.
- **Luminaire accepts one or two of a number of Optical Accessories** including lenses and color filters. A complimentary prismatic lens is included.
- **External reflectors are available in clear natural aluminum finishes** — semi-specular (C), slightly diffuse (V) or fully diffuse (EC) — as well as champagne gold, black Alzak® or white. Other finishes available on special order.
- **Luminaire includes a pair of residential mounting bars** extendable to 20" and designed for use in wood joists.
- **For more information, [click here](#).**

APPLICATIONS

Luminaire is listed for direct contact with insulation, certified airtight under ASTM E283, and suitable for damp location. Luminaire is prewired, suitable for use in a fire rated ceiling, and approved for eight #12 wire 75 C branch circuit pull-through wiring. Removal of the external reflector allows access to the LED module, driver and junction box.



PRODUCT CODE

For complete product code, list basic unit and select one item from each following box.

Basic Unit	EPIC-CZS2-4AA
Internal Reflector	
15° initial beam spread	15D
31° initial beam spread	31D
40° initial beam spread	40D
56° initial beam spread	56D
Driver	
dimble to 1% by a 0-10V dimmer on 120 or 277-volt service	DMV
dimble to 5% or 10% by either an incandescent or ELV dimmer; 120-volt service only	DMP
dimble to 1% by a 2-wire Lutron compatible dimmer	DMHLU
dimble to 1% SoftOn/FadeToBlack by a Lutron EcoSystem control	ECO-LU
eldoLED 0-10V (Logarithmic) driver dimmable to 0.1% with a 0-10V dimmer on 120 or 277-volt service	DVOELG
eldoLED 0-10V (Linear) driver dimmable to 0.1% with a 0-10V dimmer on 120 or 277-volt service	DVOELN
eldoLED driver dimmable to 0.1%, compatible with DALI control system	DA0-EL

Light Source Output (Lumens)	
1500L / CRI 97	2700K & 3000K only - L15A
2100L	2700K & 3000K only - L21A
1700L / CRI 90+	2700K & 3000K only - L17H
2300L	2700K & 3000K only - L23H
1900L / CRI 80+	2700K & 3000K only - L19S
2700L	L27S

Light Color	
2700 K	27K
3000 K	30K
3500 K	not available in CRI 90+ and CRI 97 - 35K
4000 K	not available in CRI 90+ and CRI 97 - 40K
5000 K	not available in CRI 90+ and CRI 97 - 50K

Voltage	
120 volt service	120
277 volt service	277

External Reflector Color and Detail	Overlap	Trim Flush*
Semi-specular Clear	COL	CTF
Slightly diffuse Clear	VOL	VTF
Fully diffuse Clear	ECOL	ECTF
Champagne Gold	GOL	GTF
Black	BOL	BTF
White	WOL	WTF

Standard reflector flange continues reflector finish. White painted flanges and custom painted flanges are available on special order. Add WF (white flange) or CCF (custom color flange).
*Trim Flush reflector trim requires the use of a **plaster ring** Accessory (see below).
▶ Reflectors detailed for metal or wood ceilings available on special order.

ACCESSORIES

 Specify as separate line item.

Plaster ring allows use of 4 7/8" OD Trim Flush (TF) reflector in sheetrock ceiling: 5 3/16" dia hole required	TF RING/4
---	-----------

EXTRA REFLECTORS

 Specify as separate line items.

15° initial beam spread	CZS-REF15
31° initial beam spread	CZS-REF31
40° initial beam spread	CZS-REF40
56° initial beam spread	CZS-REF56



41-50 22ND STREET, LIC NY 11101 TEL 718.685.0700 FAX 718.786.8530 www.epl.com

©Copyright, Edison Price Lighting 2019

E 6-048 6:19

OPTICAL ACCESSORIES *Specify as separate line*

All are 3 3/4" (95mm) diameter.

Lenses and filters are glass; screens are aluminum.

prismatic lens (Solite) included with fixture.....	PLS/3.75
55° spread lens	LENS/3.75
40° x 70° spread lens	LENS/3.75-4070
33% light reduction screen	SCR33/3.75
50% light reduction screen	SCR50/3.75

color filters

surprise pink	PNK/3.75
daylight blue.....	DAY/3.75
amber	AMB/3.75
blue	BLU/3.75
green	GRN/3.75
red	RED/3.75

PHOTOMETRIC REPORT with 15° reflector (TESTED PER IESNA LM-79-2008)

Prorated from Leading Testing Laboratories Report No. UT18080004-4. Original test report furnished upon request.

Luminaire recessed LED round accent light with semi-specular clear aluminum reflector, LED aimed at 15° above vertical

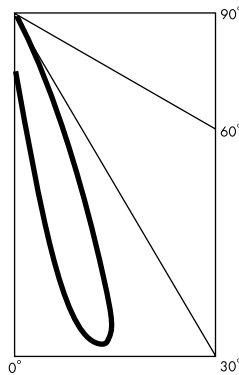
Lamp Citizen LED, 2700 lumens, 3000K CCT, 80 CRI, with 15° beam spread integral reflector

Lamp Life rated 50,000 hours based on L70/B50 criteria. LM80 report by LED manufacturer furnished upon request

CANDLEPOWER DISTRIBUTION (Candela)

(based on a 2700 lumen LED test)

Vertical Angle	Horizontal Angle				
	0	45	90	135	180
0	1761	1761	1761	1761	1761
5	4051	2721	1586	968	827
15	12833	3552	620	125	107
25	3650	1191	19	10	8
35	653	27	5	0	0
45	11	2	0	1	0
55	0	0	0	0	0
65	0	0	0	0	0
75	0	0	0	0	0
85	0	0	0	0	0
90	0	0	0	0	0



LUMINAIRE LIGHT OUTPUT AND EFFICACY

(based on a 2700 lumen LED test)

LED Light Engine	Luminaire Light Output	Luminaire CBCP	Luminaire Efficacy (lms/watt)	System Wattage
1500 Lumens 97 CRI (L15A)	744*	7058*	46*	16
2100 Lumens 97 CRI (L21A)	1014*	9625*	48*	21
1700 Lumens 90 CRI (L17H)	825*	7828*	52*	16
2300 Lumens 90 CRI (L23H)	1136*	10780*	54*	21
1900 Lumens 80 CRI (L19S)	973*	9240*	61*	16
2700 Lumens 80 CRI (L27S)	1352	12833	64	21

*estimated values

PHOTOMETRIC REPORT with 31° reflector (TESTED PER IESNA LM-79-2008)

Prorated from Leading Testing Laboratories Report No. UT18090004-05a. Original test report furnished upon request.

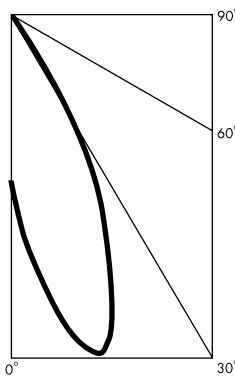
Luminaire recessed LED round accent light with semi-specular clear aluminum reflector, LED aimed at 15° above vertical
 Lamp Citizen LED, 2700 lumens, 3000K CCT, 80 CRI, with 31° beam spread integral reflector
 Lamp Life rated 50,000 hours based on L70/B50 criteria. LM80 report by LED manufacturer furnished upon request

LUMINAIRE LIGHT OUTPUT AND EFFICACY

(based on a 2700 lumen LED test)

LED Light Engine	Luminaire Light Output	Luminaire CBCP	Luminaire Efficacy (lm/watt)	System Wattage
1500 Lumens 97 CRI (L15A)	664*	2801*	41*	16
2100 Lumens 97 CRI (L21A)	905*	3820*	43*	21
1700 Lumens 90 CRI (L17H)	736*	3107*	46*	16
2300 Lumens 90 CRI (L23H)	1014*	4278*	48*	21
1900 Lumens 80 CRI (L19S)	869*	3667*	54*	16
2700 Lumens 80 CRI (L27S)	1207	5093	57	21

*estimated values



CANDLEPOWER DISTRIBUTION (Candela)

(based on a 2700 lumen LED test)

Vertical Angle	Horizontal Angle				
	0	45	90	135	180
0	2426	2426	2426	2426	2426
5	3550	3065	2319	1711	1582
15	5093	3450	1126	320	277
25	3101	1514	110	36	31
35	632	113	20	4	3
45	34	13	0	0	0
55	0	0	0	0	0
65	0	0	0	0	0
75	0	0	0	0	0
85	0	0	0	0	0
90	0	0	0	0	0

PHOTOMETRIC REPORT with 40° reflector (TESTED PER IESNA LM-79-2008)

Prorated from Leading Testing Laboratories Report No. UT18090004-06a. Original test report furnished upon request.

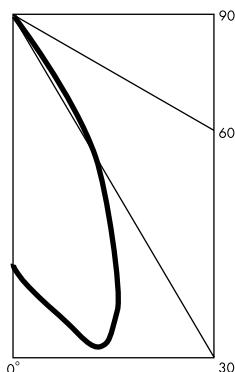
Luminaire recessed LED round accent light with semi-specular clear aluminum reflector, LED aimed at 15° above vertical
 Lamp Citizen LED, 2700 lumens, 3000K CCT, 80 CRI, with 40° beam spread integral reflector
 Lamp Life rated 50,000 hours based on L70/B50 criteria. LM80 report by LED manufacturer furnished upon request

LUMINAIRE LIGHT OUTPUT AND EFFICACY

(based on a 2700 lumen LED test)

LED Light Engine	Luminaire Light Output	Luminaire CBCP	Luminaire Efficacy (lm/watt)	System Wattage
1500 Lumens 97 CRI (L15A)	633*	1791*	40*	16
2100 Lumens 97 CRI (L21A)	863*	2443*	41*	21
1700 Lumens 90 CRI (L17H)	702*	1987*	44*	16
2300 Lumens 90 CRI (L23H)	967*	2736*	46*	21
1900 Lumens 80 CRI (L19S)	829*	2345*	52*	16
2700 Lumens 80 CRI (L27S)	1151	3257	55	21

*estimated values



CANDLEPOWER DISTRIBUTION (Candela)

(based on a 2700 lumen LED test)

Vertical Angle	Horizontal Angle				
	0	45	90	135	180
0	2387	2387	2387	2387	2387
5	2545	2585	2327	1931	1813
15	3257	2891	1616	717	555
25	2194	1630	245	54	50
35	699	203	18	9	9
45	15	8	2	0	0
55	0	0	0	0	0
65	0	0	0	0	0
75	0	0	0	0	0
85	0	0	0	0	0
90	0	0	0	0	0

PHOTOMETRIC REPORT with 56° reflector (TESTED PER IESNA LM-79-2008)

Prorated from Leading Testing Laboratories Report No. UT18090004-07a. Original test report furnished upon request.

Luminaire recessed LED round accent light with semi-specular clear aluminum reflector, LED aimed at 15° above vertical
 Lamp Citizen LED, 2700 lumens, 3000K CCT, 80 CRI, with 56° beam spread integral reflector
 Lamp Life rated 50,000 hours based on L70/B50 criteria. LM80 report by LED manufacturer furnished upon request

LUMINAIRE LIGHT OUTPUT AND EFFICACY

(based on a 2700 lumen LED test)

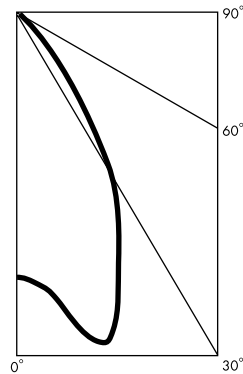
LED Light Engine	Luminaire Light Output	Luminaire CBCP	Luminaire Efficacy (lms/watt)	System Wattage
1500 Lumens 97 CRI (L15A)	692*	1471*	43*	16
2100 Lumens 97 CRI (L21A)	944*	2006*	45*	21
1700 Lumens 90 CRI (L17H)	768*	1631*	48*	16
2300 Lumens 90 CRI (L23H)	1058*	2246*	50*	21
1900 Lumens 80 CRI (L19S)	906*	1925*	57*	16
2700 Lumens 80 CRI (L27S)	1259	2674	60	21

*estimated values

CANDLEPOWER DISTRIBUTION (Candela)

(based on a 2700 lumen LED test)

Vertical Angle	Horizontal Angle				
	0	45	90	135	180
0	2066	2066	2066	2066	2066
5	2139	2110	2048	1833	1779
15	2674	2248	1451	763	682
25	1834	1459	608	353	305
35	692	506	226	76	62
45	250	143	9	0	0
55	0	0	0	0	0
65	0	0	0	0	0
75	0	0	0	0	0
85	0	0	0	0	0
90	0	0	0	0	0



LIGHT OUTPUT MULTIPLIER

(based on a 2700 lumen LED test)

LED Light Engine	Light Output Multiplier
1500 Lumens 97 CRI (L15A)	0.55*
2100 Lumens 97 CRI (L21A)	0.75*
1700 Lumens 90 CRI (L17H)	0.61*
2300 Lumens 90 CRI (L23H)	0.84*
1900 Lumens 80 CRI (L19S)	0.72*
2700 Lumens 80 CRI (L27S)	1

*estimated values

STANDARD DRIVER INFORMATION

(UL Class 2, dry and damp location)

Voltage	120	277
Input Watts (L15A/L21A/L17H/L23H/L19S/L27S lumens)	16/21	16/21
Input Current (A) (L15A/L21A/L17H/L23H/L19S/L27S lumens)	.13/.18	.06/.08
Output Current (mA)	350-500	350-500
Min. Power Factor	>0.9	>0.9
Operating Temperature Range (F)	-4 to 122	-4 to 122

REFLECTOR COLOR MULTIPLIERS

Semi-specular clear (C)	1
Slightly diffuse clear (V)	.95
Fully diffuse clear (EC)	.88
Champagne gold clear (G)	.95
Black (B)	.49

LED CCT MULTIPLIERS

2700K	.96
3000K	1
3500K	1.02
4000K	1.03
5000K	1.04