

Project

Type



MADE IN USA

[Click Here](#)

Date

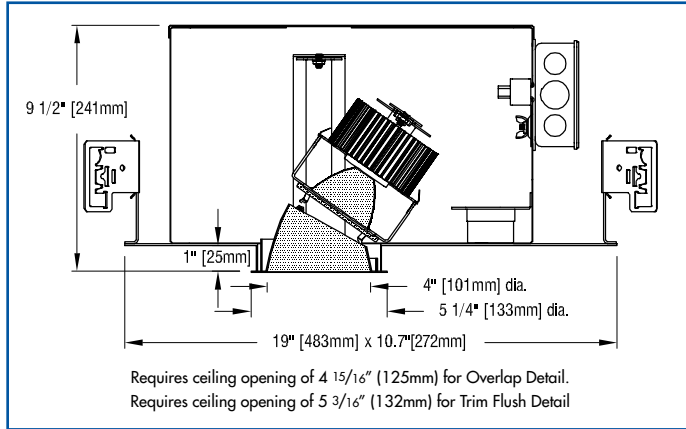
Product Code

Designer

EPIC FOUR HI CZS AA

recessed IC LED accent light

HIGH OUTPUT - HIGH OUTPUT - HIGH OUTPUT - HIGH OUTPUT - HIGH OUTPUT - HIGH OUTPUT - HIGH OUTPUT - HIGH OUTPUT



FEATURES

- **EPIC FOUR HI CZS AA is a 4" aperture LED accent light** designed for insulation contact (IC) and certified airtight under ASTM E183. Luminaire is powered by Citizen chip-on-board LEDs providing CRIs of 80+, 90+ or 97. See tables below for wattages and efficacies.
- **Luminaire employs an internal 'twist and lock' reflector** to produce an initial beamspread of 15°, 31°, 40° or 56°. To allow beamspread to be changed in installed luminaires, internal reflectors are available as accessories. Precise reflector design minimizes aperture brightness.
- **Luminaire provides 363° horizontal rotation and 0°- 35° angular adjustment** with lockable focus.
- **Luminaire accepts one or two of a number of Optical Accessories** including lenses and color filters. A complimentary prismatic lens is included.
- **External reflectors are available in clear natural aluminum finishes** — semi-specular (C), slightly diffuse (V) or fully diffuse (EC) — as well as champagne gold, black Alzak® or white. Other finishes available on special order.
- **Housing is constructed from 20-gauge electro-zinc, polyester-coated steel** in Edison Price Lighting's American factory. Heavy-gauge metals, an additional protective coating, and American manufacturing guarantees long-lasting durability.
- **Luminaire includes a pair of residential mounting bars** extendable to 20" and designed for use in wood joists.
- **For more information, [click here](#).**

APPLICATIONS

Luminaire is listed for direct contact with insulation, certified airtight under ASTM E283, and suitable for damp location. Luminaire is prewired, suitable for use in a fire rated ceiling, and approved for eight #12 wire 75 C branch circuit pull-through wiring. Removal of the external reflector allows access to the LED module, driver and junction box.



Standard recessed, see [FOUR HI CZS AA](#)
For shallower depths and lower pricing, see [EPIC WAFER/4 AA](#)

PRODUCT CODE

For complete product code, list basic unit and select one item from each following box.

| | |
|---|---------------|
| Basic Unit | EPIC-CZS2-4AA |
| Internal Reflector | |
| 15° initial beam spread | 15D |
| 31° initial beam spread | 31D |
| 40° initial beam spread | 40D |
| 56° initial beam spread | 56D |
| Driver | |
| dimble to 1% by a 0-10V dimmer on 120 or 277-volt service | DMV |
| dimble to 5% or 10% by either an incandescent or ELV dimmer; 120-volt service only | DMP |
| dimble to 1% by a 2-wire Lutron compatible dimmer | DMH-LU |
| dimble to 1% SoftOn/FadeToBlack by a Lutron EcoSystem control | ECO-LU |
| eldoLED 0-10V (Logarithmic) driver dimmable to 0.1% with a 0-10V dimmer on 120 or 277-volt service | DVOELG |
| eldoLED 0-10V (Linear) driver dimmable to 0.1% with a 0-10V dimmer on 120 or 277-volt service | DVOELN |
| eldoLED driver dimmable to 0.1%, compatible with DALI control system | DA0-EL |

| | |
|-------------------------------------|---------------------------|
| Light Source Output (Lumens) | |
| 1500L / CRI 97 | 2700K & 3000K only - L15A |
| 2100L | 2700K & 3000K only - L21A |
| 1700L / CRI 90+ | 2700K & 3000K only - L17H |
| 2300L | 2700K & 3000K only - L23H |
| 1900L / CRI 80+ | - L19S |
| 2700L | - L27S |

| | |
|--------------------|---|
| Light Color | |
| 2700 K | - 27K |
| 3000 K | - 30K |
| 3500 K | not available in CRI 90+ and CRI 97 - 35K |
| 4000 K | not available in CRI 90+ and CRI 97 - 40K |
| 5000 K | not available in CRI 90+ and CRI 97 - 50K |

| | |
|------------------------|-------|
| Voltage | |
| 120 volt service | - 120 |
| 277 volt service | - 277 |

| | | |
|--|----------------|--------------------|
| External Reflector Color and Detail | Overlap | Trim Flush* |
| Semi-specular Clear | COL | CTF |
| Slightly diffuse Clear | VOL | VTF |
| Fully diffuse Clear | ECOL | ECTF |
| Champagne Gold | GOL | GTF |
| Black | BOL | BTF |
| White | WOL | WTF |

Standard reflector flange continues reflector finish. White painted flanges and custom painted flanges are available on special order. Add WF (white flange) or CCF (custom color flange).
*Trim Flush reflector trim requires the use of a **plaster ring** Accessory (see below).
▶ Reflectors detailed for metal or wood ceilings available on special order.

ACCESSORIES

 Specify as separate line item.

| | |
|--|-----------|
| Plaster ring allows use of 4 7/8" OD Trim Flush (-TF) reflector in sheetrock ceiling: 5 3/16" dia hole required | TF RING/4 |
|--|-----------|

EXTRA REFLECTORS

 Specify as separate line items.

| | |
|-------------------------------|-----------|
| 15° initial beam spread | CZS-REF15 |
| 31° initial beam spread | CZS-REF31 |
| 40° initial beam spread | CZS-REF40 |
| 56° initial beam spread | CZS-REF56 |



OPTICAL ACCESSORIES *Specify as separate line*

All are 3 3/4" (95mm) diameter.

- prismatic lens (Solite) included with fixture..... PLS/3.75
- 55° spread lens LENS/3.75
- 40° x 70° spread lens LENS/3.75-4070
- beam smoother DIF05/3.75
- 33% light reduction screen SCR33/3.75
- 50% light reduction screen SCR50/3.75

color filters

- surprise pinkPNK/3.75
- daylight blue.....DAY/3.75
- amber.....AMB/3.75
- blue.....BLU/3.75
- green.....GRN/3.75
- red.....RED/3.75

PHOTOMETRIC REPORT with 15° reflector (TESTED PER IESNA LM-79-2008)

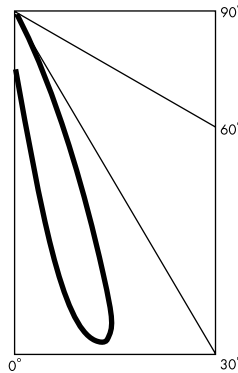
Prorated from Leading Testing Laboratories Report No. UT18080004-4. Original test report furnished upon request.

Luminaire recessed LED round accent light with semi-specular clear aluminum reflector, LED aimed at 15° above vertical
 Lamp Citizen LED, 2700 lumens, 3000K CCT, 80 CRI, with 15° beam spread integral reflector
 Lamp Life rated 50,000 hours based on L70/B50 criteria. LM80 report by LED manufacturer furnished upon request

CANDLEPOWER DISTRIBUTION (Candela)

(based on a 2700 lumen LED test)

| Vertical Angle | Horizontal Angle | | | | |
|----------------|------------------|------|------|------|------|
| | 0 | 45 | 90 | 135 | 180 |
| 0 | 1761 | 1761 | 1761 | 1761 | 1761 |
| 5 | 4051 | 2721 | 1586 | 968 | 827 |
| 15 | 12833 | 3552 | 620 | 125 | 107 |
| 25 | 3650 | 1191 | 19 | 10 | 8 |
| 35 | 653 | 27 | 5 | 0 | 0 |
| 45 | 11 | 2 | 0 | 1 | 0 |
| 55 | 0 | 0 | 0 | 0 | 0 |
| 65 | 0 | 0 | 0 | 0 | 0 |
| 75 | 0 | 0 | 0 | 0 | 0 |
| 85 | 0 | 0 | 0 | 0 | 0 |
| 90 | 0 | 0 | 0 | 0 | 0 |



LUMINAIRE LIGHT OUTPUT AND EFFICACY

(based on a 2700 lumen LED test)

| LED Light Engine | Luminaire Light Output | Luminaire CBCP | Luminaire Efficacy (lms/watt) | System Wattage |
|---------------------------|------------------------|----------------|-------------------------------|----------------|
| 1500 Lumens 97 CRI (L15A) | 744* | 7058* | 46* | 16 |
| 2100 Lumens 97 CRI (L21A) | 1014* | 9625* | 48* | 21 |
| 1700 Lumens 90 CRI (L17H) | 825* | 7828* | 52* | 16 |
| 2300 Lumens 90 CRI (L23H) | 1136* | 10780* | 54* | 21 |
| 1900 Lumens 80 CRI (L19S) | 973* | 9240* | 61* | 16 |
| 2700 Lumens 80 CRI (L27S) | 1352 | 12833 | 64 | 21 |

*estimated values

PHOTOMETRIC REPORT with 31° reflector (TESTED PER IESNA LM-79-2008)

Prorated from Leading Testing Laboratories Report No. UT18090004-05a. Original test report furnished upon request.

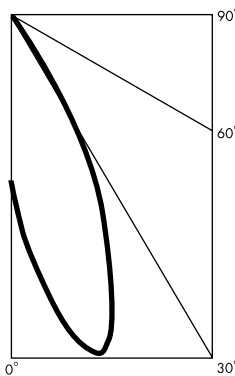
Luminaire recessed LED round accent light with semi-specular clear aluminum reflector, LED aimed at 15° above vertical
 Lamp Citizen LED, 2700 lumens, 3000K CCT, 80 CRI, with 31° beam spread integral reflector
 Lamp Life rated 50,000 hours based on L70/B50 criteria. LM80 report by LED manufacturer furnished upon request

LUMINAIRE LIGHT OUTPUT AND EFFICACY

(based on a 2700 lumen LED test)

| LED Light Engine | Luminaire Light Output | Luminaire CBCP | Luminaire Efficacy (lm/watt) | System Wattage |
|---------------------------|------------------------|----------------|------------------------------|----------------|
| 1500 Lumens 97 CRI (L15A) | 664* | 2801* | 41* | 16 |
| 2100 Lumens 97 CRI (L21A) | 905* | 3820* | 43* | 21 |
| 1700 Lumens 90 CRI (L17H) | 736* | 3107* | 46* | 16 |
| 2300 Lumens 90 CRI (L23H) | 1014* | 4278* | 48* | 21 |
| 1900 Lumens 80 CRI (L19S) | 869* | 3667* | 54* | 16 |
| 2700 Lumens 80 CRI (L27S) | 1207 | 5093 | 57 | 21 |

*estimated values



CANDLEPOWER DISTRIBUTION (Candela)

(based on a 2700 lumen LED test)

| Vertical Angle | Horizontal Angle | | | | |
|----------------|------------------|------|------|------|------|
| | 0 | 45 | 90 | 135 | 180 |
| 0 | 2426 | 2426 | 2426 | 2426 | 2426 |
| 5 | 3550 | 3065 | 2319 | 1711 | 1582 |
| 15 | 5093 | 3450 | 1126 | 320 | 277 |
| 25 | 3101 | 1514 | 110 | 36 | 31 |
| 35 | 632 | 113 | 20 | 4 | 3 |
| 45 | 34 | 13 | 0 | 0 | 0 |
| 55 | 0 | 0 | 0 | 0 | 0 |
| 65 | 0 | 0 | 0 | 0 | 0 |
| 75 | 0 | 0 | 0 | 0 | 0 |
| 85 | 0 | 0 | 0 | 0 | 0 |
| 90 | 0 | 0 | 0 | 0 | 0 |

PHOTOMETRIC REPORT with 40° reflector (TESTED PER IESNA LM-79-2008)

Prorated from Leading Testing Laboratories Report No. UT18090004-06a. Original test report furnished upon request.

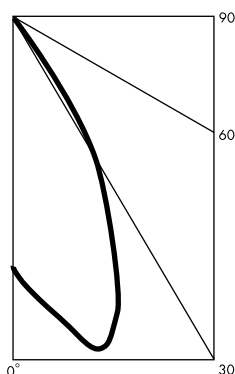
Luminaire recessed LED round accent light with semi-specular clear aluminum reflector, LED aimed at 15° above vertical
 Lamp Citizen LED, 2700 lumens, 3000K CCT, 80 CRI, with 40° beam spread integral reflector
 Lamp Life rated 50,000 hours based on L70/B50 criteria. LM80 report by LED manufacturer furnished upon request

LUMINAIRE LIGHT OUTPUT AND EFFICACY

(based on a 2700 lumen LED test)

| LED Light Engine | Luminaire Light Output | Luminaire CBCP | Luminaire Efficacy (lm/watt) | System Wattage |
|---------------------------|------------------------|----------------|------------------------------|----------------|
| 1500 Lumens 97 CRI (L15A) | 633* | 1791* | 40* | 16 |
| 2100 Lumens 97 CRI (L21A) | 863* | 2443* | 41* | 21 |
| 1700 Lumens 90 CRI (L17H) | 702* | 1987* | 44* | 16 |
| 2300 Lumens 90 CRI (L23H) | 967* | 2736* | 46* | 21 |
| 1900 Lumens 80 CRI (L19S) | 829* | 2345* | 52* | 16 |
| 2700 Lumens 80 CRI (L27S) | 1151 | 3257 | 55 | 21 |

*estimated values



CANDLEPOWER DISTRIBUTION (Candela)

(based on a 2700 lumen LED test)

| Vertical Angle | Horizontal Angle | | | | |
|----------------|------------------|------|------|------|------|
| | 0 | 45 | 90 | 135 | 180 |
| 0 | 2387 | 2387 | 2387 | 2387 | 2387 |
| 5 | 2545 | 2585 | 2327 | 1931 | 1813 |
| 15 | 3257 | 2891 | 1616 | 717 | 555 |
| 25 | 2194 | 1630 | 245 | 54 | 50 |
| 35 | 699 | 203 | 18 | 9 | 9 |
| 45 | 15 | 8 | 2 | 0 | 0 |
| 55 | 0 | 0 | 0 | 0 | 0 |
| 65 | 0 | 0 | 0 | 0 | 0 |
| 75 | 0 | 0 | 0 | 0 | 0 |
| 85 | 0 | 0 | 0 | 0 | 0 |
| 90 | 0 | 0 | 0 | 0 | 0 |

PHOTOMETRIC REPORT with 56° reflector (TESTED PER IESNA LM-79-2008)

Prorated from Leading Testing Laboratories Report No. UT18090004-07a. Original test report furnished upon request.

Luminaire recessed LED round accent light with semi-specular clear aluminum reflector, LED aimed at 15° above vertical

Lamp Citizen LED, 2700 lumens, 3000K CCT, 80 CRI, with 56° beam spread integral reflector

Lamp Life rated 50,000 hours based on L70/B50 criteria. LM80 report by LED manufacturer furnished upon request

LUMINAIRE LIGHT OUTPUT AND EFFICACY

(based on a 2700 lumen LED test)

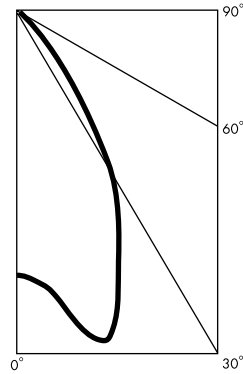
| LED Light Engine | Luminaire Light Output | Luminaire CBCP | Luminaire Efficacy (lms/watt) | System Wattage |
|---------------------------|------------------------|----------------|-------------------------------|----------------|
| 1500 Lumens 97 CRI (L15A) | 692* | 1471* | 43* | 16 |
| 2100 Lumens 97 CRI (L21A) | 944* | 2006* | 45* | 21 |
| 1700 Lumens 90 CRI (L17H) | 768* | 1631* | 48* | 16 |
| 2300 Lumens 90 CRI (L23H) | 1058* | 2246* | 50* | 21 |
| 1900 Lumens 80 CRI (L19S) | 906* | 1925* | 57* | 16 |
| 2700 Lumens 80 CRI (L27S) | 1259 | 2674 | 60 | 21 |

*estimated values

CANDLEPOWER DISTRIBUTION (Candela)

(based on a 2700 lumen LED test)

| Vertical Angle | Horizontal Angle | | | | |
|----------------|------------------|------|------|------|------|
| | 0 | 45 | 90 | 135 | 180 |
| 0 | 2066 | 2066 | 2066 | 2066 | 2066 |
| 5 | 2139 | 2110 | 2048 | 1833 | 1779 |
| 15 | 2674 | 2248 | 1451 | 763 | 682 |
| 25 | 1834 | 1459 | 608 | 353 | 305 |
| 35 | 692 | 506 | 226 | 76 | 62 |
| 45 | 250 | 143 | 9 | 0 | 0 |
| 55 | 0 | 0 | 0 | 0 | 0 |
| 65 | 0 | 0 | 0 | 0 | 0 |
| 75 | 0 | 0 | 0 | 0 | 0 |
| 85 | 0 | 0 | 0 | 0 | 0 |
| 90 | 0 | 0 | 0 | 0 | 0 |



LIGHT OUTPUT MULTIPLIER

(based on a 2700 lumen LED test)

| LED Light Engine | Light Output Multiplier |
|---------------------------|-------------------------|
| 1500 Lumens 97 CRI (L15A) | 0.55* |
| 2100 Lumens 97 CRI (L21A) | 0.75* |
| 1700 Lumens 90 CRI (L17H) | 0.61* |
| 2300 Lumens 90 CRI (L23H) | 0.84* |
| 1900 Lumens 80 CRI (L19S) | 0.72* |
| 2700 Lumens 80 CRI (L27S) | 1 |

*estimated values

STANDARD DRIVER INFORMATION

(UL Class 2, dry and damp location)

| Voltage | 120 | 277 |
|---|-----------|-----------|
| Input Watts (L15A/L21A/L17H/L23H/L19S/L27S lumens) | 16/21 | 16/21 |
| Input Current (A) (L15A/L21A/L17H/L23H/L19S/L27S lumens) | .13/.18 | .06/.08 |
| Output Current (mA) | 350-500 | 350-500 |
| Min. Power Factor | >0.9 | >0.9 |
| Operating Temperature Range (F) | -4 to 122 | -4 to 122 |

LED CCT MULTIPLIERS

| | |
|-------|------|
| 2700K | .96 |
| 3000K | 1 |
| 3500K | 1.02 |
| 4000K | 1.03 |
| 5000K | 1.04 |

REFLECTOR COLOR MULTIPLIERS

| | |
|----------------------------|-----|
| Semi-specular clear (C) | 1 |
| Slightly diffuse clear (V) | .95 |
| Fully diffuse clear (EC) | .88 |
| Champagne gold clear (G) | .95 |
| Black (B) | .49 |