

Project

Type



Date

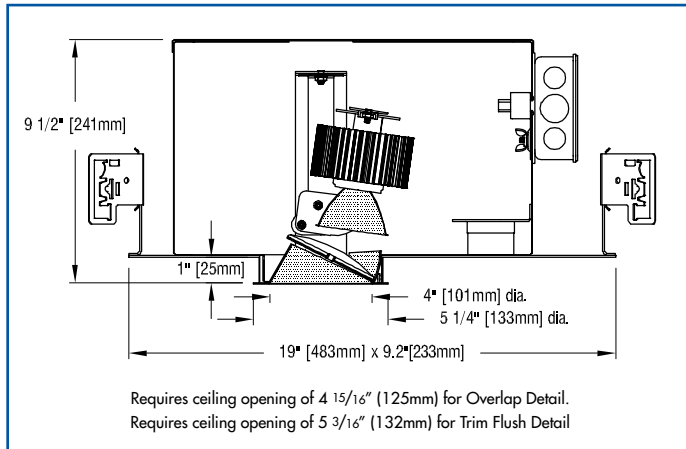
Product Code

Designer

EPIC FOUR HI CZS WL

recessed IC LED wallwasher

HIGH OUTPUT - HIGH OUTPUT - HIGH OUTPUT - HIGH OUTPUT - HIGH OUTPUT - HIGH OUTPUT - HIGH OUTPUT - HIGH OUTPUT



FEATURES

- **EPIC FOUR HI CZS WL is a 4" aperture LED wallwasher** designed for insulation contact (IC) and certified airtight under ASTM E183. Luminaire is powered by Citizen chip-on-board LED's providing CRI's of 80+, 90+ or 97. See tables below for wattages and efficacies.
- **Precise reflector design provides uniform illumination** on vertical surfaces up to the ceiling line and minimizes aperture brightness. The optical assembly consists of two internal reflectors, a 40° x 70° glass spread lens, and an external trim. The optical assembly rotates 363°, if required.
- **An optional Optical Accessories holder** permits the use of one of a number of optical accessories including color filters and screens.
- **External reflectors are available in clear natural aluminum finishes** — semi-specular (C), slightly diffuse (V) or fully diffuse (EC) — as well as champagne gold, black Alzak® or white. Other finishes available on special order.
- **Luminaire includes a pair of residential mounting bars** extendable to 20" and designed for use in wood joists.
- **For more information, [click here](#).**

APPLICATIONS

Luminaire is listed for direct contact with insulation, certified airtight under ASTM E283, and suitable for damp location. Luminaire is prewired, suitable for use in a fire rated ceiling, and approved for eight #12 wire 75 C branch circuit pull-through wiring. Removal of the external reflector allows access to the LED module, driver and junction box.



PRODUCT CODE

For complete product code, list basic unit and select one item from each following box.

Basic Unit	EPIC-CZS2-4WL
Driver	
dimble to 1% by a 0-10V dimmer on 120 or 277-volt service	DMV
dimble to 5% or 10% by either an incandescent or ELV dimmer; 120-volt service only	DMP
dimble to 1% by a 2-wire Lutron compatible dimmer	DMHLU
dimble to 1% SoftOn/FadeToBlack by a Lutron EcoSystem control	ECO-LU
eldoLED 0-10V (Logarithmic) driver dimmable to 0.1% with a 0-10V dimmer on 120 or 277-volt service	DVOELG
eldoLED 0-10V (Linear) driver dimmable to 0.1% with a 0-10V dimmer on 120 or 277-volt service	DVOELN
eldoLED driver dimmable to 0.1%, compatible with DAU control system	DAO-EL

Light Source Output (Lumens)	
1500L / CRI 972700K & 3000K only	L15A
2100L2700K & 3000K only	L21A
1700L / CRI 90+2700K & 3000K only	L17H
2300L2700K & 3000K only	L23H
1900L / CRI 80+	L19S
2700L	L27S

Light Color	
2700 K.....	27K
3000 K.....	30K
3500 K..... not available in CRI 90+ and CRI 97	35K
4000 K..... not available in CRI 90+ and CRI 97	40K
5000 K..... not available in CRI 90+ and CRI 97	50K

Voltage	
120 volt service	120
277 volt service	277

External Reflector Color and Detail	<i>Overlap</i>	<i>Trim Flush*</i>
Semi-specular Clear	COL	CTF
Slightly diffuse Clear	VOL	VTF
Fully diffuse Clear	ECOL	ECTF
Champagne Gold	GOL	GTF
Black	BOL	BTF
White	WOL	WTF
Standard reflector flange continues reflector finish. White painted flanges and custom painted flanges are available on special order. Add WF (white flange) or CCF (custom color flange).		
*Trim Flush reflector trim requires the use of a plaster ring Accessory (see below).		
▶ Reflectors detailed for metal or wood ceilings available on special order.		

ACCESSORIES *Specify as separate line item.*

holder for Optical Accessory	XTM/4 OA HLDR
Plaster ring allows use of 4 7/8" OD Trim Flush (TF) reflector in sheetrock ceiling: 5 3/16" dia hole required	TF RING/4

OPTICAL ACCESSORIES ▼ *see next page*



OPTICAL ACCESSORIES *Specify as separate line*

For use only with the "holder for Optical Accessory" accessory listed on the page above.
All are 3 3/4" (95mm) diameter. Filters are glass; screens are aluminum.

33% light reduction screenSCR33/3.75
50% light reduction screenSCR50/3.75

color filters

surprise pinkPNK/3.75
daylight blueDAY/3.75
amberAMB/3.75
blueBLU/3.75
greenGRN/3.75
redRED/3.75

PHOTOMETRIC REPORT (tested per IESNA LM-79-2008)

Prorated from Leading Testing Laboratories Report No. UT18080004-04a. Original test report furnished upon request.

Luminaire recessed LED round lensed wallwasher with semi-specular clear aluminum reflector
Lamp Citizen LED, 2700 lumens, 3000K CCT, 80 CRI, with 56° beam spread integral reflector
Lamp Life rated 50,000 hours based on L70/B50 criteria. LM80 report by LED manufacturer furnished upon request

WALLWASH INFORMATION

(based on a 2700 lumen LED test)

Distance From Ceiling (Feet)	3' From Wall; 3' O.C.		3' 6" From Wall; 3' 6" O.C.		4' From Wall; 4' O.C.	
	Below Fixture	Between Fixtures	Below Fixture	Between Fixtures	Below Fixture	Between Fixtures
1	22	19	14	12	10	8
2	40	34	26	22	17	15
3	44	42	32	30	24	21
4	38	37	31	30	25	24
5	30	29	27	26	22	22
6	23	22	21	21	19	19
7	17	17	17	16	16	15
8	13	13	13	13	13	12
9	10	10	10	10	10	10
10	8	8	8	8	8	8
11	6	6	7	7	7	7
12	5	5	5	5	6	6

All vertical footcandles are initial values with no contribution from walls, ceiling or floor reflectances.
Computation performed with a total of ten wallwashers.

LIGHT OUTPUT MULTIPLIER

(based on a 2700 lumen LED test)

LED Light Engine	Light Output Multiplier
1500 Lumens 97 CRI (L15A)	0.55*
2100 Lumens 97 CRI (L21A)	0.75*
1700 Lumens 90 CRI (L17H)	0.61*
2300 Lumens 90 CRI (L23H)	0.84*
1900 Lumens 80 CRI (L19S)	0.72*
2700 Lumens 80 CRI (L27S)	1

*estimated values

LUMINAIRE LIGHT OUTPUT AND EFFICACY

(based on a 2700 lumen LED test)

LED Light Engine	Luminaire Light Output	Luminaire Efficacy (lms/watt)	System Wattage
1500 Lumens 97 CRI (L15A)	527*	33*	16
2100 Lumens 97 CRI (L21A)	719*	34*	21
1700 Lumens 90 CRI (L17H)	585*	37*	16
2300 Lumens 90 CRI (L23H)	806*	38*	21
1900 Lumens 80 CRI (L19S)	690*	43*	16
2700 Lumens 80 CRI (L27S)	959	46	21

*estimated values

STANDARD DRIVER INFORMATION

(UL Class 2, dry and damp location)

Voltage	120	277
Input Watts (L15A/L21A/L17H/L23H/L19S/L27S lumens)	16/21	16/21
Input Current (A) (L15A/L21A/L17H/L23H/L19S/L27S lumens)	.13/.18	.06/.08
Output Current (mA)	350-500	350-500
Min. Power Factor	>0.9	>0.9
Operating Temperature Range (F)	-4 to 122	-4 to 122

REFLECTOR COLOR MULTIPLIERS

Semi-specular clear (C)	1
Slightly diffuse clear (V)	.95
Fully diffuse clear (EC)	.88
Champagne gold clear (G)	.95
Black (B)	.49

LED CCT MULTIPLIERS

2700K	.96
3000K	1
3500K	1.02
4000K	1.03
5000K	1.04