

Project

Type



Date

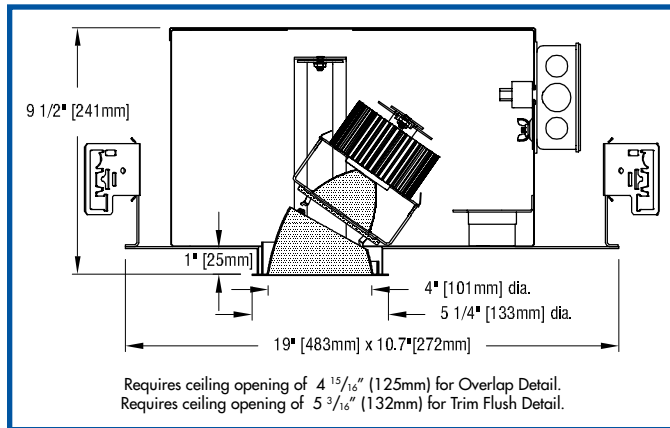
Product Code

Designer

# EPIC FOUR HI XTM AA

recessed IC LED accent light

PRECISE OPTICS - PRECISE OPTICS - PRECISE OPTICS - PRECISE OPTICS - PRECISE OPTICS



- **EPIC FOUR HI XTM AA is a 4" aperture LED accent light** designed for insulation contact (IC) and certified airtight under ASTM E283. Luminaire employs an internal 'twist and lock' **reflector** to produce an initial beamspread of 20°, 40° or 60°. To allow beamspread to be changed in installed luminaires, internal reflectors are available as accessories.
- **Luminaire is powered by one of a number of Xicato 19 mm XTM LED modules**, all of which are distinguished by extraordinary color consistency (within 1x2-step MacAdam ellipse). See tables on pages below for wattages and efficacies.
- **Luminaire may be ordered with one of a number of drivers.**
- **Housing is constructed from 20-gauge electro-zinc, polyester-coated steel** in Edison Price Lighting's American factory. Heavy-gauge metals, an additional protective coating, and American manufacturing guarantees long-lasting durability.
- **Luminaire provides 358° horizontal rotation and 0°- 35° angular adjustment with lockable focus.** Precise reflector design minimizes aperture brightness.
- **Luminaire accepts one or two of a number of Optical Accessories including lenses and color filters.** A complimentary glass 'beam smoother' is included.
- **External reflectors are available in three natural aluminum finishes** – semi-specular, slightly diffuse (V) or fully diffuse (EC) – as well as champagne gold, black Alzak® or white. Other reflector finishes are available on special order.
- **LightCharms® or LightPlate™ decorative trims may be ordered instead of standard reflectors.**
- **EPIC FOUR HI XTM AA includes a pair of residential mounting bars** extendable to 20" and designed for use in wood joists.
- **For more information, [click here.](#)**

## APPLICATIONS

Luminaire is recommended for accent lighting in commercial, retail and residential spaces where insulation is specified or likely to be retrofit into the ceiling plenum.

Luminaire is listed for direct contact with insulation, certified airtight under ASTM E283, and suitable for damp location. Luminaire is prewired, suitable for use in a fire rated ceiling, and approved for eight #12 wire 75° C branch circuit pull-through wiring. Luminaire is RoHS and Title 24 compliant. Removal of the reflector allows access to the driver and junction box.

For **higher lumen packages** and **lower pricing**, see [EPIC FOUR HI CZS AA](#).  
For **shallower depths** and **lower pricing**, see [EPIC WAFER/4 AA](#).

## PRODUCT CODE

For complete product code, list basic unit and select one item from each following box.

Basic Unit .....	EPIC-XTM-4AA
<b>Internal Reflector</b>	
20° initial beamspread.....	- 20D
40° initial beamspread.....	- 40D
60° initial beamspread.....	- 60D
<b>Light Source Output (Lumens)</b>	
700 lumens/CRI 98 Artist.....	- L07A
1000 lumens/CRI 98 Artist.....	DMP (10%)..- L10A
1000 lumens/CRI 80+ .....	DMP (10%)..- L10S
1000 lumens/CRI 80+ Vibrant.....	3000K only ..... DMP (10%)..- L10V
1200 lumens/CRI 98 Artist.....	DMP (5%) ..- L12A
1300 lumens/CRI 80+ .....	DMP (10%)..- L13S
1300 lumens/CRI 80+ Vibrant.....	3000K only ..... DMP (10%)..- L13V
1600 lumens/CRI 80+ .....	DMP (5%) ..- L16S
1600 lumens/CRI 80+ Vibrant .....	3000K only ..... DMP (5%)..- L16V

<b>Light Color</b>	
2700K.....	- 27K
3000K.....	- 30K
3500K.....	- 35K
4000K.....	- 40K

<b>Driver</b>	
dimmable to 1% by a 0-10V dimmer on 120 or 277-volt service .....	- DMV
dimmable to 5% or 10% (see Light Source Output box above) by either an incandescent or ELV dimmer; 120-volt service only .....	- DMP
eldoLED 0-10V (Logarithmic) driver dimmable to 0.1% with a 0-10V dimmer on 120 or 277-volt service .....	- DVOELG
eldoLED 0-10V (Linear) driver dimmable to 0.1% with a 0-10V dimmer on 120 or 277-volt service .....	- DVOELN
eldoLED driver dimmable to 0.1%, compatible with Dali control system .....	- DAO-EL

Reflector Color and Detail	Overlap Flange	Trim Flush*
Semi-specular Clear.....	COL.....	CTF
Slightly diffuse Clear.....	VOL.....	VTF
Fully diffuse Clear.....	ECOL.....	ECTF
Champagne Gold.....	GOL.....	GTF
Black.....	BOL.....	BTF
White.....	WOL.....	WTF
Other reflector finishes available on special order.		

Overlap Flange continues reflector finish. White painted flanges and custom painted flanges are available on special order. Add WF (white flange) or CCF (custom color flange).

\*Trim Flush reflector trim requires the use of a **plaster ring** Accessory (see below).  
LightCharms or LightPlate may be ordered instead of the standard reflectors above.

LightCharm <b>Silver Point</b> .....	LC-SP
LightCharm <b>Opal</b> .....	LC-O
LightCharm <b>Crystal</b> .....	LC-C
LightPlate <b>Downlight Spot</b> , white .....	DP-OL..... DP-TF
LightPlate <b>Accent Spot</b> , white .....	AP-OL..... AP-TF
LightPlate <b>Accent Slot</b> , white .....	AL-OL..... AL-TF
Custom painted trims for LightPlate are available on special order. Add -CC	

## ACCESSORIES

*Specify as a separate line item.*

**Plaster ring** allows use of 4 7/8" OD Trim Flush (-TF) reflector in sheetrock ceiling; 5 3/16" dia hole required.....TF RING/4

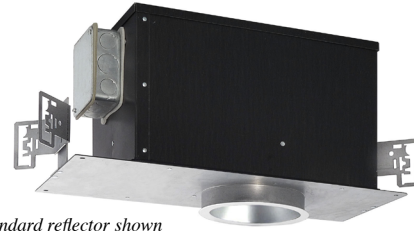


## OPTICAL ACCESSORIES *Specify as separate line*

All are 3 3/4" (95mm) diameter.

Lenses and filters are glass; screens are aluminum.

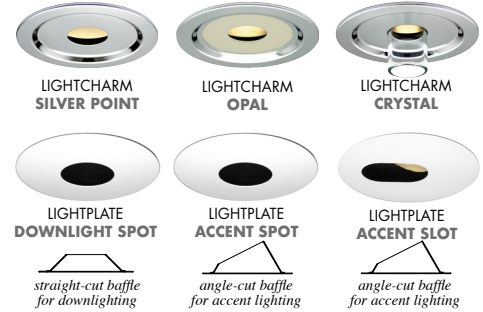
<b>prismatic lens</b> (Solite) .....	PLS/3.75
<b>55° spread lens</b> .....	LENS/3.75
<b>40° x 70° spread lens</b> .....	LENS/3.75-4070
<b>beam smoother</b> (included with fixture) .....	DIF05/3.75
<b>33% light reduction screen</b> .....	SCR33/3.75
<b>50% light reduction screen</b> .....	SCR50/3.75
<b>color filters</b>	
surprise pink .....	PNK/3.75
daylight blue .....	DAY/3.75
amber .....	AMB/3.75
blue .....	BLU/3.75
green .....	GRN/3.75
red .....	RED/3.75



Standard reflector shown

## LIGHTCHARMS & LIGHTPLATES

LightCharms and LightPlates may be used instead of standard reflectors.



## PHOTOMETRIC REPORT (tested per IESNA LM-79-2008)

Report No. 12049293.03. Original Luminaire Testing Laboratories, Inc. (LTL) test reports furnished upon request.

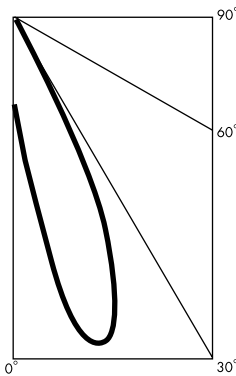
Luminaire ..... recessed LED round accent light with semi-specular clear aluminum reflector, LED aimed at 15° above vertical

Lamp ..... Xicato XTM 19mm LED with 20° beam spread integral reflector, 2700K CCT, 1200 lumens

Lamp Life ..... rated 50,000 hours based on L70/B50 criteria. LM80 report by LED manufacturer furnished upon request

## CANDLEPOWER DISTRIBUTION (Candela)

Vertical Angle	Horizontal Angle				
	0	22.5	45	67.5	90
0	1401	1401	1401	1401	1401
5	2467	1838	1244	984	844
15	4018	1871	575	265	90
25	1454	538	118	13	9
35	103	27	7	5	4
45	6	4	2	2	2
55	2	1	1	1	1
65	1	1	1	0	0
75	0	0	0	0	0
85	0	0	0	0	0
90	0	0	0	0	0



## LIGHT OUTPUT MULTIPLIER

LED Light Engine	Light Output Multiplier
700 Lumens Artist (L07A)	0.61*
1000 Lumens Artist (L10A)	0.78*
1200 Lumens Artist (L12A)	1
1000 Lumens Standard & Vibrant (L10S/V)	0.82*
1300 Lumens Standard & Vibrant (L13S/V)	1.05*
1600 Lumens Standard & Vibrant (L16S/V)	1.21*

\*estimated values

## STANDARD DMV DRIVER INFORMATION *UL Class 2, dry and damp location*

Voltage	120	277
Input Watts (L07A/L10A/L12A/ L10SV /L13SV /L16SV lumens)	8/12/12/9/12/14	8/12/12/9/12/14
Input Current (A) (L07A/L10A/L12A/ L10SV /L13SV /L16SV lumens)	.07/10/10/08/10/12	.03/04/04/03/04/05
Output Current (mA)	350-700	350-700
Min. Power Factor	>0.9	>0.9
Operating Temperature Range (F)	-4 to 122	-4 to 122

## REFLECTOR COLOR MULTIPLIERS

Semi-specular clear (C)	1
Slightly diffuse clear (V)	.95
Fully diffuse clear (EC)	.88
Champagne gold clear (G)	.95
Black (B)	.49

## LUMINAIRE LIGHT OUTPUT AND EFFICACY

(60° beam spread integral reflector)

LED Light Engine	Luminaire Light Output	Luminaire CBCP	Luminaire Efficacy (lms/watt)	System Wattage
700 Lumens Artist (L07A)	389*	2514*	49*	8
1000 Lumens Artist (L10A)	498*	3214*	41*	12
1200 Lumens Artist (L12A)	638	4121	53	12
1000 Lumens Standard & Vibrant (L10S/V)	523*	3379*	58*	9
1300 Lumens Standard & Vibrant (L13S/V)	670*	4327*	56*	12
1600 Lumens Standard & Vibrant (L16S/V)	772*	4986*	55*	14

\*estimated values