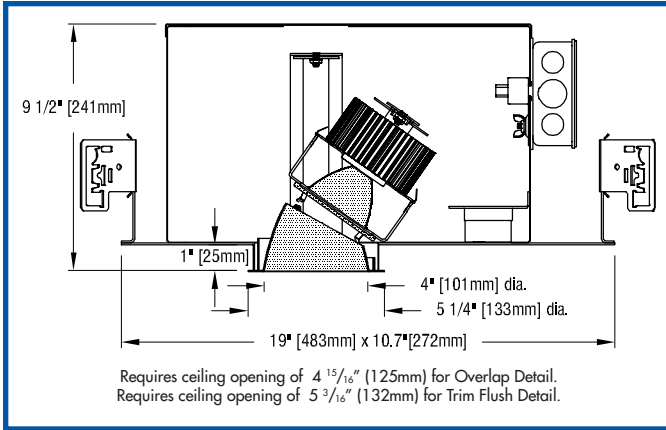


EPIC FOUR HI XTM AA NSP

recessed IC LED narrow spot accent light



FULLY SUSTAINABLE – FULLY SUSTAINABLE – FULLY SUSTAINABLE – FULLY SUSTAINABLE – FULLY SUSTAINABLE – FULLY SUSTAINABLE – FULLY SUSTAINABLE



- **EPIC FOUR HI XTM AA NSP is a 4" aperture LED narrow spot accent light** designed for insulation contact (IC) and certified airtight under ASTM E283. Luminaire employs an internal 'twist and lock' **reflector** to produce an initial beamspread of 10° or 24°. To allow beamspread to be changed in installed luminaires, internal reflectors are available as accessories.
- **Luminaire is powered by one of a number of Xicato 9 mm XTM LED modules**, all of which are distinguished by extraordinary color consistency (within 1x2-step MacAdam ellipse). See tables on pages below for wattages and efficacies.
- **Luminaire may be ordered with one of a number of drivers.**
- **Luminaire provides 358° horizontal rotation and 0°-35° angular adjustment.** Once focused, adjustment may be locked by means of a thumb screw and a wing nut.
- **Luminaire accepts one or two of a number of Optical Accessories including lenses and color filters.** A complimentary glass 'beam smoother' is included.
- **External reflectors are available in three natural aluminum finishes** – semi-specular, slightly diffuse (V) or fully diffuse (EC) – as well as champagne gold, black Alzak® or white. Other reflector finishes are available on special order.
- **LightCharms® or LightPlate™ decorative trims may be ordered instead of standard reflectors.**
- **EPIC FOUR HI XTM AA NSP includes a pair of residential mounting bars** extendable to 20" and designed for use in wood joists.
- **For more information, [click here](#).**

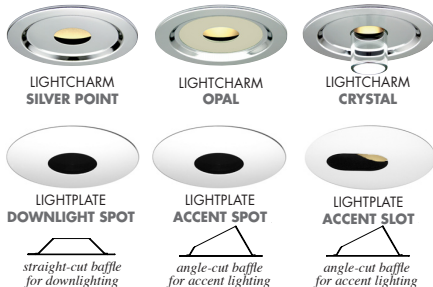
APPLICATIONS

Luminaire is recommended for accent lighting in commercial, retail and residential spaces where insulation is specified or likely to be retrofit into the ceiling plenum.

Luminaire is listed for direct contact with insulation, certified airtight under ASTM E283, and suitable for damp location. Luminaire is prewired, suitable for use in a fire rated ceiling, and approved for eight #12 wire 75° C branch circuit pull-through wiring. Luminaire is RoHS compliant. Removal of the reflector allows access to the driver and junction box.

LIGHTCHARMS & LIGHTPLATES

LightCharms and LightPlates may be used instead of standard reflectors.



PRODUCT CODE

For complete product code, list basic unit and select one item from each following box.

| | | |
|---|-------------------|-------------|
| Basic Unit | EPIC-XTS-4AA | |
| Internal Reflector | | |
| 10° initial beamspread..... | - 10D | |
| 24° initial beamspread..... | - 24D | |
| Light Source Output (Lumens) | | |
| 700 lumens / CRI 98 Artist..... | - L07A | |
| 700 lumens / CRI 80+..... | - L07S | |
| 700 lumens / CRI 80+ Vibrant..... | 3000K only - L07V | |
| 1000 lumens / CRI 80+ | - L10S | |
| 1000 lumens / CRI 80+ Vibrant..... | 3000K only - L10V | |
| Light Color | | |
| 2700K..... | - 27K | |
| 3000K..... | - 30K | |
| 3500K..... | - 35K | |
| 4000K..... | - 40K | |
| Driver | | |
| dimmable to 1% by a 0-10V dimmer on 120 or 277-volt service..... | - DMV | |
| dimmable to 10% by either an incandescent or ELV dimmer; 120-volt service only | - DMP | |
| eldoLED 0-10V (Logarithmic) driver dimmable to 0.1% with a 0-10V dimmer on 120 or 277-volt service | - DVOELG | |
| eldoLED 0-10V (Linear) driver dimmable to 0.1% with a 0-10V dimmer on 120 or 277-volt service | - DVOELN | |
| eldoLED driver dimmable to 0.1%, compatible with Dali control system | - DAO-EL | |
| Reflector Color and Detail | Overlap Flange | Trim Flush* |
| Semi-specular Clear..... | COL..... | CTF |
| Slightly diffuse Clear..... | VOL..... | VTF |
| Fully diffuse Clear..... | ECOL..... | ECTF |
| Champagne Gold | GOL..... | GTF |
| Black | BOL..... | BTF |
| White | WOL..... | WTF |
| Other reflector finishes available on special order. | | |
| Overlap Flange continues reflector finish. White painted flanges and custom painted flanges are available on special order. Add WF (white flange) or CCF (custom color flange). | | |
| *Trim Flush reflector trim requires the use of a plaster ring Accessory (see below). | | |
| LightCharms or LightPlate may be ordered instead of the standard reflectors above. | | |
| LightCharm Silver Point | LC-SP | |
| LightCharm Opal | LC-O | |
| LightCharm Crystal | LC-C | |
| LightPlate Downlight Spot, white | DP-OL.....DP-TF | |
| LightPlate Accent Spot, white | AP-OL.....AP-TF | |
| LightPlate Accent Slot, white | AL-OL.....AL-TF | |
| Custom painted trims for LightPlate are available on special order. Add -CC | | |

ACCESSORIES Specify as a separate line item.

Plaster ring allows use of 4 7/8" OD Trim Flush (-TF) reflector in sheetrock ceiling; 5 3/16" dia hole required.....TF RING/4



PHOTOMETRIC REPORT with 10° reflector (tested per IESNA LM-79-2008)

Verification Services Report No. 11480921.01. Original test report furnished upon request.

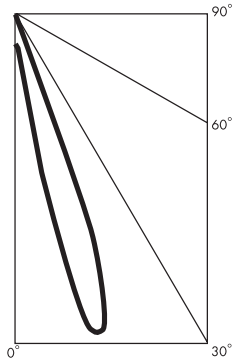
Luminaire recessed LED round accent light with semi-specular clear aluminum reflector, LED aimed at 15° above vertical

Lamp Xicato XTM 9mm LED with 10° beam spread integral reflector, 3000K CCT, 1300 lumens



CANDLEPOWER DISTRIBUTION (Candela)

| Vertical Angle | Horizontal Angle | | | | |
|----------------|------------------|------|------|------|-----|
| | 0 | 22.5 | 45 | 67.5 | 90 |
| 0 | 893 | 893 | 893 | 893 | 893 |
| 5 | 1638 | 1639 | 1232 | 972 | 875 |
| 15 | 15980 | 5947 | 1099 | 608 | 534 |
| 25 | 1385 | 678 | 498 | 301 | 17 |
| 35 | 45 | 21 | 11 | 8 | 5 |
| 45 | 4 | 4 | 3 | 3 | 2 |
| 55 | 1 | 1 | 2 | 2 | 2 |
| 65 | 1 | 1 | 1 | 1 | 1 |
| 75 | 1 | 1 | 1 | 1 | 1 |
| 85 | 0 | 1 | 1 | 1 | 1 |
| 90 | 0 | 0 | 0 | 0 | 0 |



LUMINAIRE LIGHT OUTPUT AND EFFICACY

| LED Light Engine | Luminaire Light Output | Luminaire CBCP | Luminaire Efficacy (lms/watt) | System Wattage |
|--|------------------------|----------------|-------------------------------|----------------|
| 700 Lumens Artist | 452* | 8788* | 30* | 15 |
| 1000 Lumens standard & Vibrant | 625* | 12,144* | 42* | 15 |
| 1300 Lumens standard & Vibrant - test only | 822 | 15,980 | 40 | 21 |

*estimated values

PHOTOMETRIC REPORT with 24° reflector (tested per IESNA LM-79-2008)

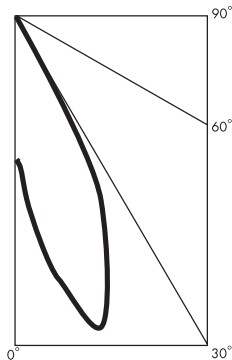
Verification Services Report No. 11480921.03. Original test report furnished upon request.

Luminaire recessed LED round accent light with semi-specular clear aluminum reflector, LED aimed at 15° above vertical

Lamp Xicato XTM 9mm LED with 24° beam spread integral reflector, 3000K CCT, 1300 lumens

CANDLEPOWER DISTRIBUTION (Candela)

| Vertical Angle | Horizontal Angle | | | | |
|----------------|------------------|------|------|------|------|
| | 0 | 22.5 | 45 | 67.5 | 90 |
| 0 | 1583 | 1583 | 1583 | 1583 | 1583 |
| 5 | 2697 | 2638 | 2247 | 1797 | 1436 |
| 15 | 4171 | 3672 | 2228 | 1002 | 578 |
| 25 | 2705 | 1781 | 710 | 295 | 15 |
| 35 | 211 | 58 | 11 | 7 | 5 |
| 45 | 5 | 4 | 3 | 2 | 2 |
| 55 | 1 | 1 | 2 | 1 | 2 |
| 65 | 1 | 1 | 1 | 1 | 1 |
| 75 | 1 | 1 | 0 | 0 | 0 |
| 85 | 0 | 0 | 0 | 0 | 0 |
| 90 | 0 | 0 | 0 | 0 | 0 |



LUMINAIRE LIGHT OUTPUT AND EFFICACY

| LED Light Engine | Luminaire Light Output | Luminaire CBCP | Luminaire Efficacy (lms/watt) | System Wattage |
|--|------------------------|----------------|-------------------------------|----------------|
| 700 Lumens Artist | 428* | 2294* | 29* | 15 |
| 1000 Lumens standard & Vibrant | 591* | 3170* | 39* | 15 |
| 1300 Lumens standard & Vibrant - test only | 778 | 4171 | 38 | 21 |

*estimated values

STANDARD DMV DRIVER INFORMATION (UL Class 2, dry and damp location)

| Voltage | 120 | 277 |
|--|-----------|-----------|
| Input Watts (L07A/L10S ^{AV} /L13S ^{AV}) | 15/15/21 | 15/15/21 |
| Input Current (A) (L07A/L10S ^{AV} /L13S ^{AV}) | .13/13/18 | .05/05/08 |
| Output Current (mA) | 500-1050 | 500-1050 |
| Min. Power Factor | >0.9 | >0.9 |
| Operating Temperature Range (F) | -4 to 122 | -4 to 122 |

LIGHT OUTPUT MULTIPLIER

| LED Light Engine | Light Output Multiplier |
|--|-------------------------|
| 700 Lumens Artist | .55* |
| 1000 Lumens standard & Vibrant | .76* |
| 1300 Lumens standard & Vibrant - test only | 1 |

*estimated values

REFLECTOR COLOR MULTIPLIERS

| | |
|----------------------------|-----|
| Semi-specular clear (C) | 1 |
| Slightly diffuse clear (V) | .95 |
| Fully diffuse clear (EC) | .88 |
| Champagne gold clear (G) | .95 |
| Black (B) | .49 |