

Project

Type



Date

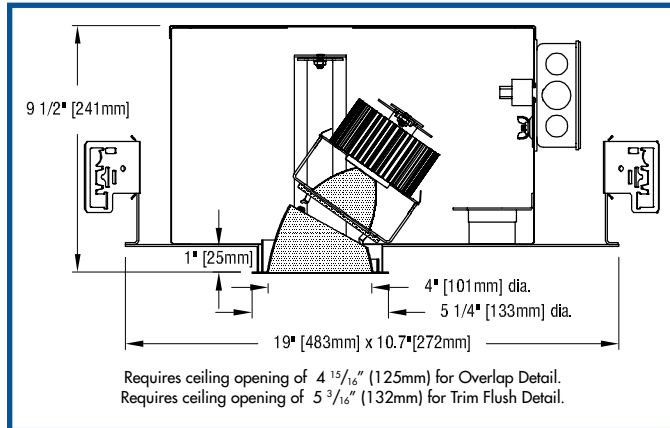
Product Code

Designer

# EPIC FOUR HI XTM AA NSP

recessed IC LED narrow spot accent light

PRECISE OPTICS - PRECISE OPTICS - PRECISE OPTICS - PRECISE OPTICS - PRECISE OPTICS



## PRODUCT CODE

For complete product code, list basic unit and select one item from each following box.

Basic Unit ..... EPIC-XTS-4AA

Internal Reflector

10° initial beamspread..... 10D

24° initial beamspread..... 24D

Light Source Output (Lumens)

700 lumens / CRI 98 Artist..... L07A

700 lumens / CRI 80+..... L07S

700 lumens / CRI 80+ Vibrant..... 3000K only ..... L07V

1000 lumens / CRI 80+ ..... L10S

1000 lumens / CRI 80+ Vibrant..... 3000K only ..... L10V

Light Color

2700K..... 27K

3000K..... 30K

3500K..... 35K

4000K..... 40K

Driver

dimmable to 1% by a 0-10V dimmer on 120 or 277-volt service ..... DMV

dimmable to 10% by either an incandescent or ELV dimmer; 120-volt service only ..... DMP

eldoLED 0-10V (Logarithmic) driver dimmable to 0.1% with a 0-10V dimmer on 120 or 277-volt service ..... DVOELG

eldoLED 0-10V (Linear) driver dimmable to 0.1% with a 0-10V dimmer on 120 or 277-volt service ..... DVOELN

eldoLED driver dimmable to 0.1%, compatible with Dali control system ..... DAO-EL

- **EPIC FOUR HI XTM AA NSP is a 4" aperture LED narrow spot accent light** designed for insulation contact (IC) and certified airtight under ASTM E283. Luminaire employs an internal 'twist and lock' reflector to produce an initial beamspread of 10° or 24°. To allow beamspread to be changed in installed luminaires, internal reflectors are available as accessories.
- **Luminaire is powered by one of a number of Xicato 9 mm XTM LED modules**, all of which are distinguished by extraordinary color consistency (within 1x2-step MacAdam ellipse). See tables on pages below for wattages and efficacies.
- **Luminaire may be ordered with one of a number of drivers.**
- **Housing is constructed from 20-gauge electro-zinc, polyester-coated steel** in Edison Price Lighting's American factory. Heavy-gauge metals, an additional protective coating, and American manufacturing guarantees long-lasting durability.
- **Luminaire provides 358° horizontal rotation and 0°-35° angular adjustment.** Once focused, adjustment may be locked by means of a thumb screw and a wing nut.
- **Luminaire accepts one or two of a number of Optical Accessories including lenses and color filters.** A complimentary glass 'beam smoother' is included.
- **External reflectors are available in three natural aluminum finishes** – semi-specular, slightly diffuse (M) or fully diffuse (EC) – as well as champagne gold, black Alzak® or white. Other reflector finishes are available on special order.
- **LightCharms® or LightPlate™ decorative trims may be ordered instead of standard reflectors.**
- **EPIC FOUR HI XTM AA NSP includes a pair of residential mounting bars** extendable to 20" and designed for use in wood joists.
- **For more information, [click here](#).**

Reflector Color and Detail	Overlap Flange	Trim Flush*
Semi-specular Clear.....	COL.....	CTF
Slightly diffuse Clear.....	VOL.....	VTF
Fully diffuse Clear.....	ECOL.....	ECTF
Champagne Gold.....	GOL.....	GTF
Black.....	BOL.....	BTF
White.....	WOL.....	WTF

Other reflector finishes available on special order.

Overlap Flange continues reflector finish. White painted flanges and custom painted flanges are available on special order. Add WF (white flange) or CCF (custom color flange).

\*Trim Flush reflector trim requires the use of a plaster ring Accessory (see below).

LightCharms or LightPlate may be ordered instead of the standard reflectors above.

LightCharm Silver Point .....	LC-SP
LightCharm Opal .....	LC-O
LightCharm Crystal .....	LC-C
LightPlate Downlight Spot, white .....	DP-OL..... DP-TF
LightPlate Accent Spot, white .....	AP-OL..... AP-TF
LightPlate Accent Slot, white .....	AL-OL..... AL-TF

Custom painted trims for LightPlate are available on special order. Add -CC

## APPLICATIONS

Luminaire is recommended for accent lighting in commercial, retail and residential spaces where insulation is specified or likely to be retrofit into the ceiling plenum.

Luminaire is listed for direct contact with insulation, certified airtight under ASTM E283, and suitable for damp location. Luminaire is prewired, suitable for use in a fire rated ceiling, and approved for eight #12 wire 75° C branch circuit pull-through wiring. Luminaire is RoHS compliant. Removal of the reflector allows access to the driver and junction box.

For higher lumen packages and lower pricing, see [EPIC FOUR HI CZS AA](#).

For shallower depths and lower pricing, see [EPIC WAFER/4 AA](#).

## ACCESSORIES Specify as a separate line item.

**Plaster ring** allows use of 4 7/8" OD Trim Flush (-TF) reflector in sheetrock ceiling; 5 3/16" dia hole required.....TF RING/4

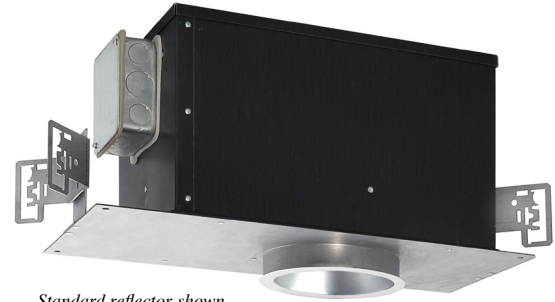


## OPTICAL ACCESSORIES *Specify as separate line*

All are 3 3/4" (95mm) diameter.

Lenses and filters are glass; screens are aluminum.

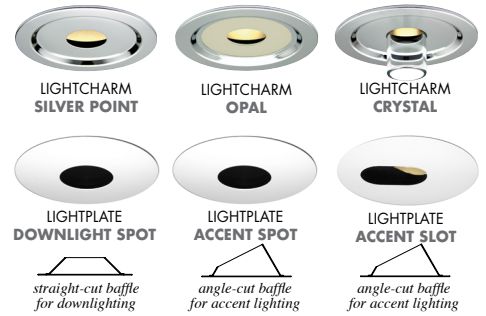
prismatic lens (Solite) .....	PLS/3.75
55° spread lens .....	LENS/3.75
40° x 70° spread lens .....	LENS/3.75-4070
beam smoother (included with fixture) .....	DIF05/3.75
33% light reduction screen .....	SCR33/3.75
50% light reduction screen .....	SCR50/3.75
<b>color filters</b>	
surprise pink .....	PNK/3.75
daylight blue .....	DAY/3.75
amber .....	AMB/3.75
blue .....	BLU/3.75
green .....	GRN/3.75
red .....	RED/3.75



Standard reflector shown

## LIGHTCHARMS & LIGHTPLATES

LightCharms and LightPlates may be used instead of standard reflectors.



## PHOTOMETRIC REPORTS BELOW



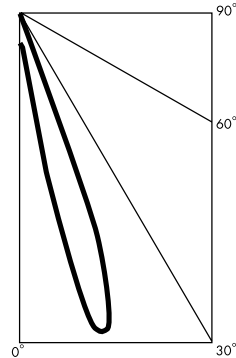
## PHOTOMETRIC REPORT with 10° reflector (tested per IESNA LM-79-2008)

Verification Services Report No. 11480921.01. Original test report furnished upon request.

Luminaire ..... recessed LED round accent light with semi-specular clear aluminum reflector, LED aimed at 15° above vertical  
 Lamp ..... Xicato XTM 9mm LED with 10° beam spread integral reflector, 3000K CCT, 1300 lumens

### CANDLEPOWER DISTRIBUTION (Candela)

Vertical Angle	Horizontal Angle				
	0	22.5	45	67.5	90
0	893	893	893	893	893
5	1638	1639	1232	972	875
15	15980	5947	1099	608	534
25	1385	678	498	301	17
35	45	21	11	8	5
45	4	4	3	3	2
55	1	1	2	2	2
65	1	1	1	1	1
75	1	1	1	1	1
85	0	1	1	1	1
90	0	0	0	0	0



### LUMINAIRE LIGHT OUTPUT AND EFFICACY

LED Light Engine	Luminaire Light Output	Luminaire CBCP	Luminaire Efficacy (lms/watt)	System Wattage
700 Lumens Artist	452*	8788*	30*	15
1000 Lumens standard & Vibrant	625*	12,144*	42*	15
1300 Lumens standard & Vibrant - test only	822	15,980	40	21

\*estimated values

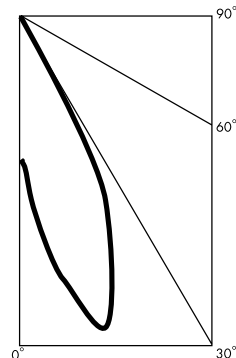
## PHOTOMETRIC REPORT with 24° reflector (tested per IESNA LM-79-2008)

Verification Services Report No. 11480921.03. Original test report furnished upon request.

Luminaire ..... recessed LED round accent light with semi-specular clear aluminum reflector, LED aimed at 15° above vertical  
 Lamp ..... Xicato XTM 9mm LED with 24° beam spread integral reflector, 3000K CCT, 1300 lumens

### CANDLEPOWER DISTRIBUTION (Candela)

Vertical Angle	Horizontal Angle				
	0	22.5	45	67.5	90
0	1583	1583	1583	1583	1583
5	2697	2638	2247	1797	1436
15	4171	3672	2228	1002	578
25	2705	1781	710	295	15
35	211	58	11	7	5
45	5	4	3	2	2
55	1	1	2	1	2
65	1	1	1	1	1
75	1	1	0	0	0
85	0	0	0	0	0
90	0	0	0	0	0



### LUMINAIRE LIGHT OUTPUT AND EFFICACY

LED Light Engine	Luminaire Light Output	Luminaire CBCP	Luminaire Efficacy (lms/watt)	System Wattage
700 Lumens Artist	428*	2294*	29*	15
1000 Lumens standard & Vibrant	591*	3170*	39*	15
1300 Lumens standard & Vibrant - test only	778	4171	38	21

\*estimated values

### STANDARD DMV DRIVER INFORMATION (UL Class 2, dry and damp location)

Voltage	120	277
Input Watts (L07A/L10S±V/L13S±V)	15/15/21	15/15/21
Input Current (A) (L07A/L10S±V/L13S±V)	.13/13/18	.05/05/08
Output Current (mA)	500-1050	500-1050
Min. Power Factor	>0.9	>0.9
Operating Temperature Range (F)	-4 to 122	-4 to 122

### LIGHT OUTPUT MULTIPLIER

LED Light Engine	Light Output Multiplier
700 Lumens Artist	.55*
1000 Lumens standard & Vibrant	.76*
1300 Lumens standard & Vibrant - test only	1

\*estimated values

### REFLECTOR COLOR MULTIPLIERS

Semi-specular clear (C)	1
Slightly diffuse clear (V)	.95
Fully diffuse clear (EC)	.88
Champagne gold clear (G)	.95
Black (B)	.49