

Project

Type



MADE IN USA

[Click Here](#)

Date

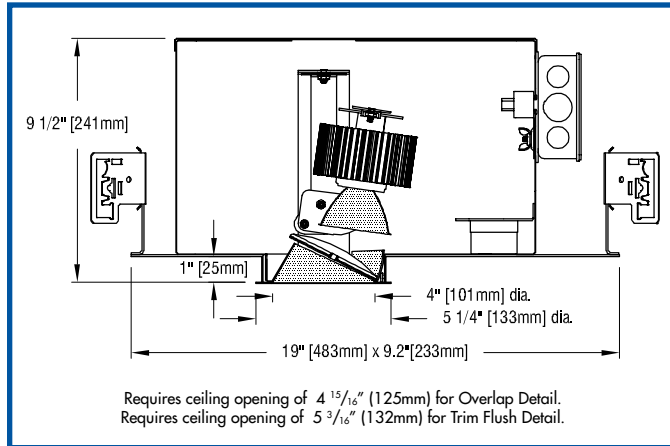
Product Code

Designer

EPIC FOUR HI XTM WL

recessed IC LED wallwasher

PRECISE OPTICS - PRECISE OPTICS - PRECISE OPTICS - PRECISE OPTICS - PRECISE OPTICS



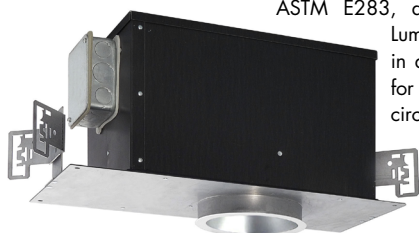
FEATURES

- **EPIC FOUR HI XTM WL is a 4" aperture LED wallwasher** designed for insulation contact (IC) and certified airtight under ASTM E283.
- **Luminaire is powered by one of a number of Xicato 19 mm XTM LED modules**, all of which are distinguished by extraordinary color consistency (within 1x2-step MacAdam ellipse). See tables on pages below for wattages and efficacies.
- **Luminaire may be ordered with one of a number of drivers.**
- **Housing is constructed from 20-gauge electro-zinc, polyester-coated steel** in Edison Price Lighting's American factory. Heavy-gauge metals, an additional protective coating, and American manufacturing guarantees long-lasting durability.
- **The optical assembly consists of two internal reflector and a 40° x 70° glass spread lens.** Assembly may be rotated 358°, oriented as desired and locked in place. Precise design provides uniform illumination on vertical surfaces up to the ceiling line and minimizes aperture brightness.
- **External reflectors are available in three natural aluminum finishes** – semi-specular, slightly diffuse (V) or fully diffuse (EC) – as well as champagne gold, black Alzak® or white. Other reflector finishes are available on special order.
- **EPIC FOUR HI XTM WL includes a pair of residential mounting bars** extendable to 20" and designed for use in wood joists.
- **For more information, [click here](#).**

APPLICATIONS

Luminaire is recommended for wallwashing in commercial, retail and residential spaces where insulation is specified or likely to be retrofit into the ceiling plenum.

Luminaire is listed for direct contact with insulation, certified airtight under ASTM E283, and suitable for damp location.



Luminaire is prewired, suitable for use in a fire rated ceiling, and approved for eight #12 wire 75° C branch circuit pull-through wiring. Luminaire is RoHS compliant. Removal of the reflector allows access to the driver and junction box.

For higher lumen packages and lower pricing, see [EPIC FOUR HI CZS WL](#) and [EPIC FTF WL/4](#).

For shallower depths and lower pricing, see [EPIC WAFER/4 WL](#).

PRODUCT CODE

For complete product code, list basic unit and select one item from each following box.

Basic Unit EPIC-XTM-4WL

Light Source Output (Lumens)

700 lumens/CRI 98 Artist.....	- L07A
1000 lumens/CRI 98 Artist.....	DMP (10%)..- L10A
1000 lumens/CRI 80+.....	DMP (10%)..- L10S
1000 lumens/CRI 80+ Vibrant.....	3000K only DMP (10%)..- L10V
1200 lumens/CRI 98 Artist.....	DMP (5%) ..- L12A
1300 lumens/CRI 80+.....	DMP (10%)..- L13S
1300 lumens/CRI 80+ Vibrant.....	3000K only DMP (10%)..- L13V
1600 lumens/CRI 80+.....	DMP (5%) ..- L16S
1600 lumens/CRI 80+ Vibrant	3000K only DMP (5%) ..- L16V

Light Color

2700K.....	- 27K
3000K.....	- 30K
3500K.....	- 35K
4000K.....	- 40K

Driver

dimmable to 1% by a 0-10V dimmer on 120 or 277-volt service - DMV

dimmable to 5% or 10% (see Light Source Output box above) by either an incandescent or ELV dimmer; 120-volt service only - DMP

eldoLED 0-10V (Logarithmic) driver dimmable to 0.1% with a 0-10V dimmer on 120 or 277-volt service - DVOELG

eldoLED 0-10V (Linear) driver dimmable to 0.1% with a 0-10V dimmer on 120 or 277-volt service - DVOELN

eldoLED driver dimmable to 0.1%, compatible with Dali control system - DAO-EL

Reflector Color and Detail

	Overlap Flange	Trim Flush*
Semi-specular Clear.....	COL.....	CTF
Slightly diffuse Clear.....	VOL.....	VTF
Fully diffuse Clear.....	ECOL.....	ECTF
Champagne Gold.....	GOL.....	GTF
Black.....	BOL.....	BTF
White.....	WOL.....	WTF

Other reflector finishes available on special order.

Overlap Flange continues reflector finish. White painted flanges and custom painted flanges are available on special order. Add WF (white flange) or CCF (custom color flange).

*Trim Flush reflector trim requires the use of a plaster ring Accessory (see below).

ACCESSORIES Specify as a separate line item.

Plaster ring allows use of 4 7/8" OD Trim Flush (-TF) reflector in sheetrock ceiling; 5 3/16" dia hole required.....TF RING/4



41-50 22ND STREET, LIC NY 11101 TEL 718.685.0700 FAX 718.786.8530 www.epl.com
U.S. Patent No. US 7,744,256 B2 (June 29, 2010)

©Copyright, Edison Price Lighting 2019

E 6-053 9-19

PHOTOMETRIC REPORT (tested per IESNA LM-79-2008)

Prorated from Report No. 192259. Original Luminaire Testing Laboratories, Inc. (LTL) test reports furnished upon request.

Luminaire recessed LED round lensed wallwasher with semi-specular clear aluminum reflector
 Lamp Xicato XTM 19mm LED with 60° beam spread integral reflector, 3000K CCT, 1600 lumens
 Lamp Life rated 50,000 hours based on L70/B50 criteria. LM80 report by LED manufacturer furnished upon request

WALLWASH INFORMATION

Distance From Ceiling (Feet)	2' 6" From Wall; 2' 6" O.C.		3' From Wall; 3' O.C.		3' 6" From Wall; 3' 6" O.C.	
	Below Fixture	Between Fixtures	Below Fixture	Between Fixtures	Below Fixture	Between Fixtures
1	16	13	9	8	6	5
2	25	22	15	14	10	9
3	27	26	20	18	14	12
4	22	22	18	18	14	13
5	17	17	15	15	12	12
6	13	13	12	12	11	11
7	10	10	10	10	9	9
8	8	8	8	8	7	7
9	6	6	6	6	6	6
10			5	5	5	5

All vertical footcandles are initial values with no contribution from ceiling or floor reflectances. Computation performed with a total of ten wallwashers.

STANDARD DMV DRIVER INFORMATION UL Class 2, dry and damp location

Voltage	120	277
Input Watts (L07A/L10A/L12A/ L10SV /L13SV /L16SV lumens)	8/12/12/9/12/14	8/12/12/9/12/14
Input Current (A) (L07A/L10A/L12A/ L10SV /L13SV /L16SV lumens)	.07/.10/.10/.08/.10/.12	.03/.04/.04/.03/.04/.05
Output Current (mA)	350-700	350-700
Min. Power Factor	>0.9	>0.9
Operating Temperature Range (F)	-4 to 122	-4 to 122

LUMINAIRE LIGHT OUTPUT AND EFFICACY

LED Light Engine	Luminaire Light Output	Luminaire Efficacy (lms/watt)	System Wattage
700 Lumens Artist (L07A)	331*	41*	8
1000 Lumens Artist (L10A)	424*	35*	12
1200 Lumens Artist (L12A)	543*	45*	12
1000 Lumens Standard & Vibrant (L10S/V)	445*	49*	9
1300 Lumens Standard & Vibrant (L13S/V)	570*	48*	12
1600 Lumens Standard & Vibrant (L16S/V)	657	47	14

*estimated values

LIGHT OUTPUT MULTIPLIER

LED Light Engine	Light Output Multiplier
700 Lumens Artist (L07A)	0.50*
1000 Lumens Artist (L10A)	0.64*
1200 Lumens Artist (L12A)	0.83*
1000 Lumens Standard & Vibrant (L10S/V)	0.68*
1300 Lumens Standard & Vibrant (L13S/V)	0.87*
1600 Lumens Standard & Vibrant (L16S/V)	1

*estimated values

REFLECTOR COLOR MULTIPLIERS

Semi-specular clear (C)	1
Slightly diffuse clear (V)	.95
Fully diffuse clear (EC)	.88
Champagne gold clear (G)	.95
Black (B)	.49