

Project

Type



MADE IN USA

Click Here

Date

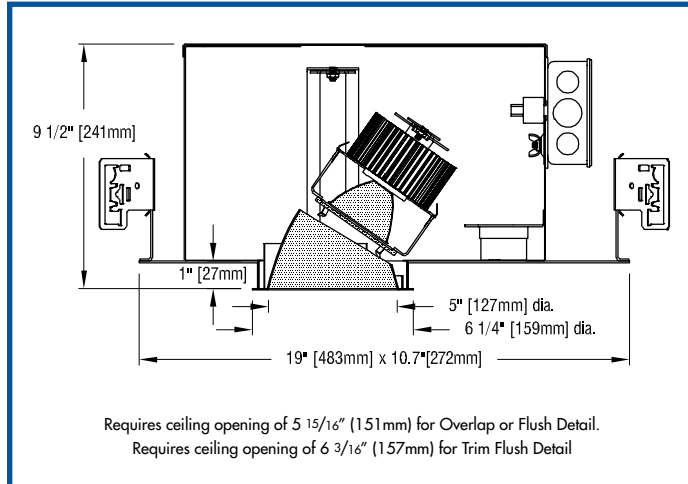
Product Code

Designer

EPIC FIVE HI XTM AA

recessed insulation contact LED accent light

PRECISE OPTICS - PRECISE OPTICS - PRECISE OPTICS - PRECISE OPTICS - PRECISE OPTICS



FEATURES

- **EPIC FIVE HI XTM AA is a 5" aperture LED accent light designed for insulation contact (IC) and certified airtight under ASTM.** Luminaire employs an internal 'twist and lock' reflector to produce an initial beamspread of 20°, 40° or 60°. To allow beamspread to be changed in installed luminaires, internal reflectors are available as accessories.
- **Luminaire is powered by one of a number of Xicato 19 mm XTM LED modules,** all of which are distinguished by extraordinary color consistency (within 1x2-step MacAdam ellipse). See tables on pages below for wattages and efficacies.
- **Luminaire may be ordered with one of a number of drivers.**
- **Housing is constructed from 20-gauge electro-zinc, polyester-coated steel** in Edison Price Lighting's American factory. Heavy-gauge metals, an additional protective coating, and American manufacturing guarantees long-lasting durability.
- **Luminaire provides 363° horizontal rotation and 0°- 35° angular adjustment with lockable focus.** Precise reflector design minimizes aperture brightness.
- **Luminaire accepts one or two of a number of Optical Accessories including lenses and color filters.** A complimentary glass 'beam smoother' is included.
- **Reflectors are available in three clear natural aluminum finishes** — semi-specular (C), slightly diffuse (V) or fully diffuse (EC) — as well as champagne gold, black Alzak® or white. Other finishes available on special order.
- **Luminaire includes a pair of residential mounting bars extendable to 20"** and designed for use in wood joists.
- **For more information, [click here](#).**

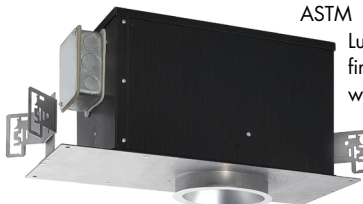
APPLICATIONS

Luminaire is recommended for downlighting in commercial, retail and residential spaces where insulation is specified or likely to be retrofit into the ceiling plenum.

Luminaire is listed for direct contact with insulation, certified airtight under ASTM E283, and suitable for damp location.

Luminaire is prewired, suitable for use in a fire rated ceiling, and approved for eight #12 wire 90° C branch circuit pull-through wiring.

Luminaire is RoHS compliant. Removal of the reflector allows access to the driver and junction box.



For higher lumen packages and lower pricing, see [EPIC FIVE HI CZS AA](#).

PRODUCT CODE

For complete product code, list basic unit and select one item from each following box.

Basic Unit.....	EPIC-XTM-5AA	
Internal Reflector		
20° initial beamspread		20D
40° initial beamspread		40D
60° initial beamspread		60D
Driver		
dimble to 1% by a 0-10V dimmer on 120 or 277-volt service		DMV
dimble to 5% or 10% (see Light Source Output box below) by either an incandescent or ELV dimmer; 120-volt service only		DMP
eldoLED 0-10V (Logarithmic) driver dimmable to 0.1% with a 0-10V dimmer on 120 or 277-volt service		DVOELG
eldoLED 0-10V (Linear) driver dimmable to 0.1% with a 0-10V dimmer on 120 or 277-volt service		DVOELN
eldoLED driver dimmable to 0.1%, compatible with DALI control system		DA0-EL
Light Source Output (Lumens)		
700 lumens / CRI 98 Artist.....	DMP (10%)	- L07A
1000 lumens / CRI 98 Artist.....	DMP (10%)	- L10A
1000 lumens / CRI 80+	DMP (10%)	- L10S
1000 lumens / CRI 80+ Vibrant*.....	DMP (10%)	- L10V
1200 lumens / CRI 98 Artist.....	DMP (5%)	- L12A
1300 lumens / CRI 80+	DMP (10%)	- L13S
1300 lumens / CRI 80+ Vibrant*.....	DMP (10%)	- L13V
1600 lumens / CRI 80+	DMP (5%)	- L16S
1600 lumens / CRI 80+ Vibrant*.....	DMP (5%)	- L16V

* Vibrant LED modules are available with 3000K color only.

Light Color		
2700 K	not available with Vibrant LEDs.....	- 27K
3000 K		- 30K
3500 K	not available with Vibrant LEDs	- 35K
4000 K	not available with Vibrant LEDs.....	- 40K
Voltage		
120 volt service		- 120
277 volt service		- 277
Reflector Color and Detail	Overlap	Trim Flush*
Semi-specular Clear	COL	CTF
Slightly diffuse Clear	VOL	VTF
Fully diffuse Clear	ECOL	ECTF
Champagne Gold	GOL	GTF
Black	BOL	BTF
White	WOL	WTF
Standard reflector flange continues reflector finish. White painted flanges and custom painted flanges are available on special order. Add WF (white flange) or CCF (custom color flange).		
*Trim Flush reflector trim requires the use of a plaster ring Accessory (see below).		
▶ Reflectors detailed for metal or wood ceilings available on special order.		

EXTRA REFLECTORS Specify as separate line items.

20° initial beamspread	XTM-REF20-72
40° initial beamspread	XTM-REF40-72
60° initial beamspread	XTM-REF60-70

ACCESSORIES Specify as separate line item.

Plaster ring allows use of 5 7/8" OD Trim Flush (TF) reflector in sheetrock ceiling: 6 3/16" dia hole required.....	TF RING/5
--	-----------



OPTICAL ACCESSORIES *Specify as separate line*

All are 3 3/4" (95mm) diameter.

prismatic lens (Solite)	PLS/3.75
55° spread lens	LENS/3.75
40° x 70° spread lens	LENS/3.75-4070
beam smoother (included with fixture)	DIF05/3.75
33% light reduction screen	SCR33/3.75
50% light reduction screen	SCR50/3.75

color filters

surprise pink	PNK/3.75
daylight blue	DAY/3.75
amber	AMB/3.75
blue	BLU/3.75
green	GRN/3.75
red	RED/3.75

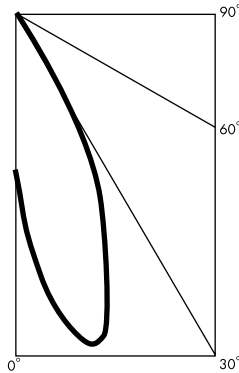
PHOTOMETRIC REPORT (tested per IESNA LM-79-2008)

Report No. 192257. Original test report furnished upon request.

Luminaire recessed LED round accent light with semi-specular clear aluminum reflector, LED aimed at 15° above vertical
 Lamp Xicato 19mm XTM LED with 20° beam spread integral reflector, 3000K CCT, 1600 lumens
 Lamp Life rated 50,000 hours based on L70/B50 criteria. LM80 report by LED manufacturer furnished upon request

CANDLEPOWER DISTRIBUTION (Candela)

Vertical Angle	Horizontal Angle				
	0	22.5	45	67.5	90
0	2552	2552	2552	2552	2552
5	4297	3609	2374	1911	1767
15	5939	3291	1234	751	528
25	3403	1347	359	9	7
35	670	144	6	5	2
45	5	4	3	2	3
55	1	2	1	0	1
65	0	0	0	0	0
75	0	0	0	0	0
85	0	0	0	0	0
90	0	0	0	0	0



REFLECTOR COLOR MULTIPLIERS

Semi-specular clear (C)	1
Slightly diffuse clear (V)	.95
Fully diffuse clear (EC)	.88
Champagne gold clear (G)	.95
Black (B)	.49

LUMINAIRE LIGHT OUTPUT AND EFFICACY

(60° beam spread integral reflector)

LED Light Engine	Luminaire Light Output	Luminaire CBCP	Luminaire Efficacy (lms/watt)	System Wattage
700 Lumens Artist (L07A)	651*	2970*	81*	8
1000 Lumens Artist (L10A)	833*	3801*	69*	12
1200 Lumens Artist (L12A)	1081*	4929*	90*	12
1000 Lumens Standard & Vibrant (L10S/V)	885*	4039*	98*	9
1300 Lumens Standard & Vibrant (L13S/V)	1133*	5167*	94*	12
1600 Lumens Standard & Vibrant (L16S/V)	1302	5939	93	14

*estimated values

LIGHT OUTPUT MULTIPLIER

LED Light Engine	Light Output Multiplier
700 Lumens Artist (L07A)	0.5*
1000 Lumens Artist (L10A)	0.64*
1200 Lumens Artist (L12A)	0.83*
1000 Lumens Standard & Vibrant (L10S/V)	0.68*
1300 Lumens Standard & Vibrant (L13S/V)	0.87*
1600 Lumens Standard & Vibrant (L16S/V)	1

*estimated values

STANDARD DRIVER INFORMATION *UL Class 2, dry and damp location*

Voltage	120	277
Input Watts (L07A/L10A/L12A/L10SV/L13SV/L16SV lumens)	8/12/12/9/12/14	8/12/12/9/12/14
Input Current (A) (L07A/L10A/L12A/L10SV/L13SV/L16SV lumens)	.07/10/10/08/10/12	.03/04/04/03/04/05
Output Current (mA)	350-700	350-700
Min. Power Factor	>0.9	>0.9
Operating Temperature Range (F)	-4 to 122	-4 to 122