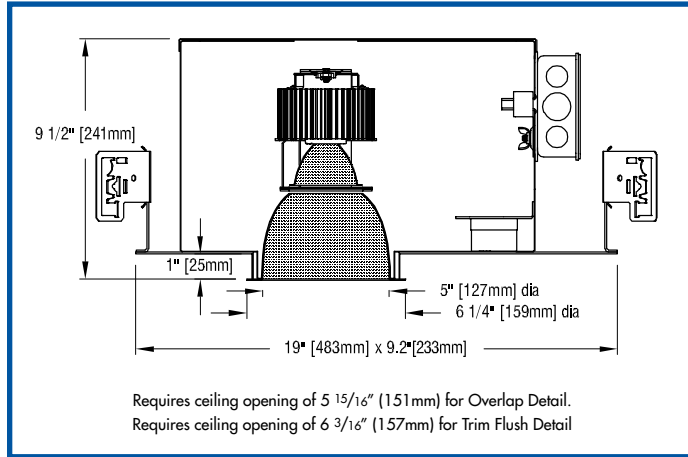


# EPIC FIVE HI CZS DL

recessed IC LED downlight

HIGH OUTPUT - HIGH OUTPUT - HIGH OUTPUT - HIGH OUTPUT - HIGH OUTPUT - HIGH OUTPUT - HIGH OUTPUT - HIGH OUTPUT



## FEATURES

- **EPIC FIVE HI CZS DL is a 5" aperture LED downlight** designed for insulation contact (IC) and certified airtight under ASTM E183. Luminaire is powered by Citizen chip-on-board LED's providing CRI's of 80+, 90+ or 97. See tables below for wattages and efficacies.
- **Luminaire employs an internal 'twist and lock' reflector** to produce an initial beamspread of 31°, 40° or 56°. To allow beamspread to be changed in installed luminaires, internal reflectors are available as accessories.
- **Precise external reflector design minimizes aperture brightness** and provides a shielding angle of 40°. A thin, highly efficient plastic diffuser is included to obscure the LED module from view from below.
- **External reflectors are available in clear natural aluminum finishes** — semi-specular (C), slightly diffuse (V) or fully diffuse (EC) — as well as champagne gold, black Alzak® or white. Other finishes available on special order.
- **An optional integral holder (DG)** permits the use of one or two of a number of **Optical Accessories** including lenses and color filters. A complimentary Solite prismatic lens is included with this option.
- **Luminaire includes a pair of residential mounting bars** extendable to 20" and designed for use in wood joists.
- **For more information, [click here](#).**

## APPLICATIONS

Luminaire is listed for direct contact with insulation, certified airtight under ASTM E283, and suitable for damp location. Luminaire is prewired, suitable for use in a fire rated ceiling, and approved for eight #12 wire 75 C branch circuit pull-through wiring. Removal of the external reflector allows access to the LED module, driver and junction box.



### Warranty Detail

Our 5-year warranty does not include the provision of scaffolding, man-lifts, 'cherry pickers' or other extraordinary means of access to a product requiring maintenance.

## PRODUCT CODE

For complete product code, list basic unit and select one item from each following box.

<b>Basic Unit</b>	
no lens holder .....	EPIC-CZS2-5DL
with lens holder .....	EPIC-CZS2-5DG
<b>Internal Reflector</b>	
31° initial beam spread .....	31D
40° initial beam spread .....	40D
56° initial beam spread .....	56D
<b>Driver</b>	
dimable to 1% by a 0-10V dimmer on 120 or 277-volt service .....	DMV
dimable to 5% by either an incandescent or ELV dimmer; 120-volt service only .....	DMP
dimable to 1% by a 2-wire Lutron compatible dimmer .....	DMHU
dimable to 1% SoftOn/FadeToBlack by a Lutron EcoSystem control .....	ECO-LU
eldoLED 0-10V (Logarithmic) driver dimmable to 0.1% with a 0-10V dimmer on 120 or 277-volt service .....	DVOELG
eldoLED 0-10V (Linear) driver dimmable to 0.1% with a 0-10V dimmer on 120 or 277-volt service .....	DVOELN
eldoLED driver dimmable to 0.1%, compatible with DALI control system .....	DA0-EL

<b>Light Source Output (Lumens)</b>	
1500L / CRI 97 .....	2700K & 3000K only - L15A
2100L .....	2700K & 3000K only - L21A
1700L / CRI 90+ .....	2700K & 3000K only - L17H
2300L .....	2700K & 3000K only - L23H
1900L / CRI 80+ .....	- L19S
2700L .....	- L27S

<b>Light Color</b>	
2700 K .....	- 27K
3000 K .....	- 30K
3500 K .....	not available in CRI 90+ and CRI 97 - 35K
4000 K .....	not available in CRI 90+ and CRI 97 - 40K
5000 K .....	not available in CRI 90+ and CRI 97 - 50K

<b>Voltage</b>	
120 volt service .....	- 120
277 volt service .....	- 277

<b>External Reflector Color and Detail</b>		
	<i>Overlap</i>	<i>Trim Flush*</i>
Semi-specular Clear .....	COL .....	CTF
Slightly diffuse Clear .....	VOL .....	VTF
Fully diffuse Clear .....	ECOL .....	ECTF
Champagne Gold .....	GOL .....	GTF
Black .....	BOL .....	BTF
White .....	WOL .....	WTF
Standard reflector flange continues reflector finish. White painted flanges and custom painted flanges are available on special order. Add WF (white flange) or CCF (custom color flange).		
*Trim Flush reflector trim requires the use of a <b>plaster ring</b> Accessory (see below).		
▶ Reflectors detailed for metal or wood ceilings available on special order.		

## ACCESSORIES *Specify as separate line item.*

<b>Plaster ring</b> allows use of 5 7/8" OD Trim Flush (TF) reflector in sheetrock ceiling: 6 3/16" dia hole required.....	- TF RING/5
---	-------------

## EXTRA REFLECTORS *Specify as separate line items.*

31° initial beam spread .....	CZS-REF31
40° initial beam spread .....	CZS-REF40
56° initial beam spread .....	CZS-REF56



## OPTICAL ACCESSORIES *Specify as separate line*

For use only with the "lens holder" fixture model; see Product Code / Basic Unit above.  
All are 3 3/4" (95mm) diameter. Lenses and filters are glass; screens are aluminum.

<b>prismatic lens (Solite)</b> .....	PLS/3.75
<b>55° spread lens</b> .....	LENS/3.75
<b>40° x 70° spread lens</b> .....	LENS/3.75-4070
<b>beam smoother</b> .....	CLR/3.75
<b>33% light reduction screen</b> .....	SCR33/3.75
<b>50% light reduction screen</b> .....	SCR50/3.75
<b>color filters</b>	
surprise pink .....	PNK/3.75
daylight blue .....	DAY/3.75
amber .....	AMB/3.75
blue .....	BLU/3.75
green .....	GRN/3.75
red .....	RED/3.75

## PHOTOMETRIC REPORT with 31° reflector (TESTED PER IESNA LM-79-2008)

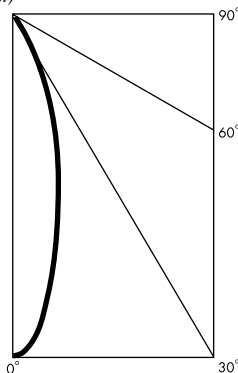
Prorated from Leading Testing Laboratories Report No. UT18070007-01a. Original test report furnished upon request.

Luminaire ..... recessed LED round downlight with semi-specular clear aluminum reflector  
Lamp ..... Citizen LED, 2700 lumens, 3000K CCT, 80 CRI, with 31° beam spread integral reflector and DIF15 diffuser  
Lamp Life ..... rated 50,000 hours based on L70/B50 criteria. LM80 report by LED manufacturer furnished upon request  
Spacing Criteria ..... 0.5

## CANDLEPOWER DISTRIBUTION (Candela)

(based on a 2700 lumen LED test)

Vertical Angle	Horizontal Angle
	0
0	6302
5	5585
15	3128
25	812
35	59
45	7
55	0
65	0
75	0
85	0
90	0



## LUMINAIRE LIGHT OUTPUT AND EFFICACY

(based on a 2700 lumen LED test)

LED Light Engine	Luminaire Light Output	Luminaire Efficacy (lms/watt)	System Wattage
1500 Lumens 97 CRI (L15A)	997*	62*	16
2100 Lumens 97 CRI (L21A)	1360*	65*	21
1700 Lumens 90 CRI (L17H)	1106*	69*	16
2300 Lumens 90 CRI (L23H)	1523*	73*	21
1900 Lumens 80 CRI (L19S)	1305*	82*	16
2700 Lumens 80 CRI (L27S)	1813	86	21

\*estimated values

## LUMINANCE DATA

(based on a 2700 lumen LED test)

Vertical Angle	Candelam <sup>2</sup>
45	2511
55	0
65	0
75	0
85	0

## ZONAL LUMEN SUMMARY

(based on a 2700 lumen LED test)

Zone	Lumens	% Fixture
0 - 40°	1795	99.0
0 - 60°	1802	99.3
0 - 90°	1805	99.5
90 - 180°	9	0.5

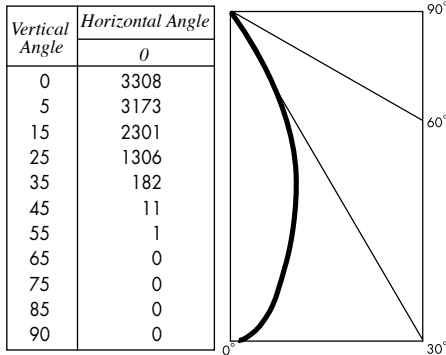
## PHOTOMETRIC REPORT with 40° reflector (tested per IESNA LM-79-2008)

Prorated from Leading Testing Laboratories Report No. UT18070007-02a. Original test report furnished upon request.

Luminaire ..... recessed LED round downlight with semi-specular clear aluminum reflector  
 Light Source ..... Citizen LED, 2700 lumens, 3000K CCT, 80 CRI, with 40° beam spread integral reflector and DIF30 diffuser  
 Lamp Life ..... rated 50,000 hours based on L70/B50 criteria. LM80 report by LED manufacturer furnished upon request  
 Spacing Criteria ..... 0.72

### CANDLEPOWER DISTRIBUTION (Candela)

(based on a 2700 lumen LED test)



### LUMINAIRE LIGHT OUTPUT AND EFFICACY

(based on a 2700 lumen LED test)

	Luminaire Light Output	Luminaire Efficacy (lms/watt)	System Wattage
LED Light Engine			
1500 Lumens 97 CRI (L15A)	928*	58*	16
2100 Lumens 97 CRI (L21A)	1266*	60*	21
1700 Lumens 90 CRI (L17H)	1030*	64*	16
2300 Lumens 90 CRI (L23H)	1418*	68*	21
1900 Lumens 80 CRI (L19S)	1215*	76*	16
2700 Lumens 80 CRI (L27S)	1688	80	21

\*estimated values

### LUMINANCE DATA

(based on a 2700 lumen LED test)

Vertical Angle	Candelalm <sup>2</sup>
45	3587
55	221
65	0
75	0
85	0

### ZONAL LUMEN SUMMARY

(based on a 2700 lumen LED test)

Zone	Lumens	% Fixture
0 - 40°	1656	98.1
0 - 60°	1668	98.8
0 - 90°	1669	98.9
90 - 180°	19	1.1

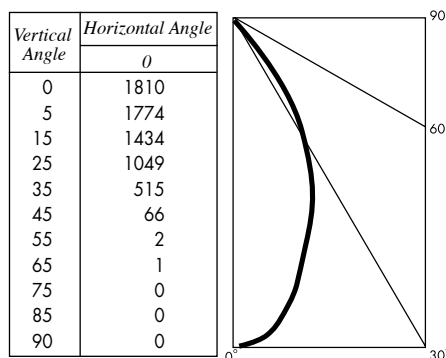
## PHOTOMETRIC REPORT with 56° reflector (tested per IESNA LM-79-2008)

Prorated from Leading Testing Laboratories Report No. UT18070007-03a. Original test report furnished upon request.

Luminaire ..... recessed LED round downlight with semi-specular clear aluminum reflector  
 Light Source ..... Citizen LED, 2700 lumens, 3000K CCT, 80 CRI, with 56° beam spread integral reflector and DIF80 diffuser  
 Lamp Life ..... rated 50,000 hours based on L70/B50 criteria. LM80 report by LED manufacturer furnished upon request  
 Spacing Criteria ..... 0.84

### CANDLEPOWER DISTRIBUTION (Candela)

(based on a 2700 lumen LED test)



### LUMINAIRE LIGHT OUTPUT AND EFFICACY

(based on a 2700 lumen LED test)

	Luminaire Light Output	Luminaire Efficacy (lms/watt)	System Wattage
LED Light Engine			
1500 Lumens 97 CRI (L15A)	796*	50*	16
2100 Lumens 97 CRI (L21A)	1086*	52*	21
1700 Lumens 90 CRI (L17H)	883*	55*	16
2300 Lumens 90 CRI (L23H)	1216*	58*	21
1900 Lumens 80 CRI (L19S)	1043*	65*	16
2700 Lumens 80 CRI (L27S)	1448	69	21

\*estimated values

### LUMINANCE DATA

(based on a 2700 lumen LED test)

Vertical Angle	Candelalm <sup>2</sup>
45	22421
55	663
65	300
75	0
85	0

### ZONAL LUMEN SUMMARY

(based on a 2700 lumen LED test)

Zone	Lumens	% Fixture
0 - 40°	1367	94.4
0 - 60°	1441	99.5
0 - 90°	1446	99.8
90 - 180°	2	0.2

## LIGHT OUTPUT MULTIPLIER

(based on a 2700 lumen LED test)

LED Light Engine	Light Output Multiplier
1500 Lumens 97 CRI (L15A)	0.55*
2100 Lumens 97 CRI (L21A)	0.75*
1700 Lumens 90 CRI (L17H)	0.61*
2300 Lumens 90 CRI (L23H)	0.84*
1900 Lumens 80 CRI (L19S)	0.72*
2700 Lumens 80 CRI (L27S)	1

\*estimated values

## STANDARD DRIVER INFORMATION

(UL Class 2, dry and damp location)

Voltage	120	277
Input Watts (L15A/L21A/L17H/L23H/L19S/L27S lumens)	16/21	16/21
Input Current (A) (L15A/L21A/L17H/L23H/L19S/L27S lumens)	.13/.18	.06/.08
Output Current (mA)	350–500	350–500
Min. Power Factor	>0.9	>0.9
Operating Temperature Range (F)	–4 to 122	–4 to 122

## REFLECTOR COLOR MULTIPLIERS

Semi-specular clear (C)	1
Slightly diffuse clear (V)	.95
Fully diffuse clear (EC)	.88
Champagne gold clear (G)	.95
Black (B)	.49

## LED CCT MULTIPLIERS

2700K	.96
3000K	1
3500K	1.02
4000K	1.03
5000K	1.04