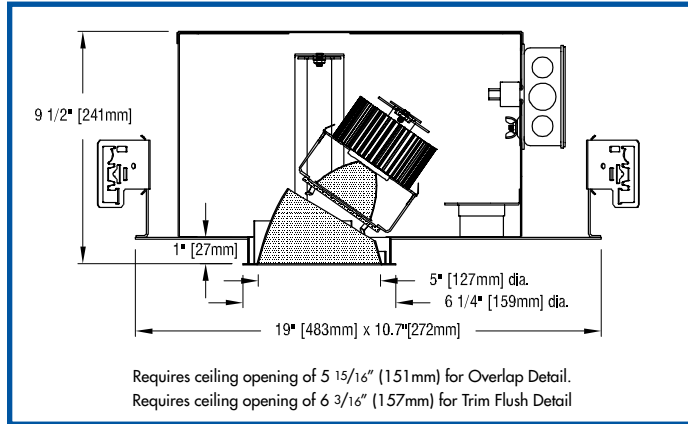


# EPIC FIVE HI CZS AA

recessed IC LED accent light

HIGH OUTPUT - HIGH OUTPUT - HIGH OUTPUT - HIGH OUTPUT - HIGH OUTPUT - HIGH OUTPUT - HIGH OUTPUT - HIGH OUTPUT



## FEATURES

- **EPIC FIVE HI CZS AA is a 5" aperture LED accent light** designed for insulation contact (IC) and certified airtight under ASTM E183. Luminaire is powered by Citizen chip-on-board LED's providing CRI's of 80+, 90+ or 97. See tables below for wattages and efficacies.
- **Luminaire employs an internal 'twist and lock' reflector** to produce an initial beamspread of 15°, 31°, 40° or 56°. To allow beamspread to be changed in installed luminaires, internal reflectors are available as accessories. Precise reflector design minimizes aperture brightness.
- **Luminaire provides 363° horizontal rotation and 0°- 35° angular adjustment** with lockable focus.
- **Luminaire accepts one or two of a number of Optical Accessories** including lenses and color filters. A complimentary prismatic lens is included.
- **External reflectors are available in clear natural aluminum finishes** — semi-specular (C), slightly diffuse (V) or fully diffuse (EC) — or champagne gold, black Alzak® or white. Other finishes available on special order.
- **Luminaire includes a pair of residential mounting bars** extendable to 20" and designed for use in wood joists.
- **For more information, [click here](#).**

## APPLICATIONS

Luminaire is listed for direct contact with insulation, certified airtight under ASTM E283, and suitable for damp location. Luminaire is prewired, suitable for use in a fire rated ceiling, and approved for eight #12 wire 75 C branch circuit pull-through wiring. Removal of the external reflector allows access to the LED module, driver and junction box.



**Warranty Detail** Our 5-year warranty does not include the provision of scaffolding, man-lifts, 'cherry pickers' or other extraordinary means of access to a product requiring maintenance.

## PRODUCT CODE

For complete product code, list basic unit and select one item from each following box.

<b>Basic Unit</b> .....	EPIC-CZS2-5AA
<b>Internal Reflector</b>	
15° initial beam spread .....	15D
31° initial beam spread .....	31D
40° initial beam spread .....	40D
56° initial beam spread .....	56D
<b>Driver</b>	
dimble to 1% by a 0-10V dimmer on 120 or 277-volt service .....	DMV
dimble to 5% or 10% by either an incandescent or ELV dimmer; 120-volt service only .....	DMP
dimble to 1% by a 2-wire Lutron compatible dimmer .....	DMHU
dimble to 1% SoftOn/FadeToBlack by a Lutron EcoSystem control .....	ECO-LU
eldoLED 0-10V (Logarithmic) driver dimmable to 0.1% with a 0-10V dimmer on 120 or 277-volt service .....	DVOELG
eldoLED 0-10V (Linear) driver dimmable to 0.1% with a 0-10V dimmer on 120 or 277-volt service .....	DVOELN
eldoLED driver dimmable to 0.1%, compatible with DALI control system .....	DA0-EL

<b>Light Source Output (Lumens)</b>	
1500L / CRI 97 .....	2700K & 3000K only - L15A
2100L .....	2700K & 3000K only - L21A
1700L / CRI 90+ .....	2700K & 3000K only - L17H
2300L .....	2700K & 3000K only - L23H
1900L / CRI 80+ .....	- L19S
2700L .....	- L27S

<b>Light Color</b>	
2700 K .....	- 27K
3000 K .....	- 30K
3500 K .....	not available in CRI 90+ and CRI 97 - 35K
4000 K .....	not available in CRI 90+ and CRI 97 - 40K
5000 K .....	not available in CRI 90+ and CRI 97 - 50K

<b>Voltage</b>	
120 volt service .....	- 120
277 volt service .....	- 277

<b>External Reflector Color and Detail</b>	<b>Overlap</b>	<b>Trim Flush*</b>
Semi-specular Clear .....	COL .....	CTF
Slightly diffuse Clear .....	VOL .....	VTF
Fully diffuse Clear .....	ECOL .....	ECTF
Champagne Gold .....	GOL .....	GTF
Black .....	BOL .....	BTF
White .....	WOL .....	WTF
Standard reflector flange continues reflector finish. White painted flanges and custom painted flanges are available on special order. Add WF (white flange) or CCF (custom color flange).		
*Trim Flush reflector trim requires the use of a <b>plaster ring</b> Accessory (see below).		
▶ Reflectors detailed for metal or wood ceilings available on special order.		

## ACCESSORIES *Specify as separate line item.*

<b>Plaster ring</b> allows use of 5 7/8" OD Trim Flush (TF) reflector in sheetrock ceiling: 6 3/16" dia hole required.....	TF RING/5
--	-----------

## EXTRA REFLECTORS *Specify as separate line items.*

15° initial beam spread .....	CZS-REF15
31° initial beam spread .....	CZS-REF31
40° initial beam spread .....	CZS-REF40
56° initial beam spread .....	CZS-REF56

## OPTICAL ACCESSORIES *Specify as separate line*

All are 3 3/4" (95mm) diameter. Lenses and filters are glass; screens are aluminum.

prismatic lens (Solite) .....	included with fixture .....	PLS/3.75
55° spread lens .....		LENS/3.75
40° x 70° spread lens .....		LENS/3.75-4070
33% light reduction screen .....		SCR33/3.75
50% light reduction screen .....		SCR50/3.75
<b>color filters</b>		
surprise pink .....		PNK/3.75
daylight blue .....		DAY/3.75
amber .....		AMB/3.75
blue .....		BLU/3.75
green .....		GRN/3.75
red .....		RED/3.75

## PHOTOMETRIC REPORT with 15° reflector (TESTED PER IESNA LM-79-2008)

Prorated from Leading Testing Laboratories Report No. UT18080001-01a. Original test report furnished upon request.

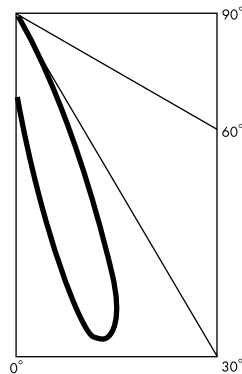
Luminaire ..... recessed LED round accent light with semi-specular clear aluminum reflector, LED aimed at 15° above vertical  
 Lamp ..... Citizen LED, 2700 lumens, 3000K CCT, 80 CRI, with 15° beam spread integral reflector  
 Lamp Life ..... rated 50,000 hours based on L70/B50 criteria. LM80 report by LED manufacturer furnished upon request

### LUMINAIRE LIGHT OUTPUT AND EFFICACY

(based on a 2700 lumen LED test)

LED Light Engine	Luminaire Light Output	Luminaire CBCP	Luminaire Efficacy (lms/watt)	System Wattage
1500 Lumens 97 CRI (L15A)	988*	8400*	62*	16
2100 Lumens 97 CRI (L21A)	1347*	11455*	64*	21
1700 Lumens 90 CRI (L17H)	1096*	9317*	68*	16
2300 Lumens 90 CRI (L23H)	1509*	12829*	72*	21
1900 Lumens 80 CRI (L19S)	1293*	10997*	81*	16
2700 Lumens 80 CRI (L27S)	1796	15273	86	21

\*estimated values



### CANDLEPOWER DISTRIBUTION (Candela)

(based on a 2700 lumen LED test)

Vertical Angle	Horizontal Angle				
	0	45	90	135	180
0	3448	3448	3448	3449	3448
5	5813	4168	2777	1918	2267
15	15273	3835	1117	799	762
25	4857	1327	100	9	13
35	76	10	2	1	2
45	5	0	0	0	0
55	0	0	0	0	0
65	0	0	0	0	0
75	0	0	0	0	0
85	0	0	0	0	0
90	0	0	0	0	0

## PHOTOMETRIC REPORT with 31° reflector (TESTED PER IESNA LM-79-2008)

Prorated from Leading Testing Laboratories Report No. UT18090004-01a. Original test report furnished upon request.

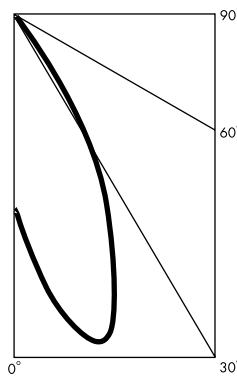
Luminaire ..... recessed LED round accent light with semi-specular clear aluminum reflector, LED aimed at 15° above vertical  
 Lamp ..... Citizen LED, 2700 lumens, 3000K CCT, 80 CRI, with 31° beam spread integral reflector  
 Lamp Life ..... rated 50,000 hours based on L70/B50 criteria. LM80 report by LED manufacturer furnished upon request

### LUMINAIRE LIGHT OUTPUT AND EFFICACY

(based on a 2700 lumen LED test)

LED Light Engine	Luminaire Light Output	Luminaire CBCP	Luminaire Efficacy (lms/watt)	System Wattage
1500 Lumens 97 CRI (L15A)	874*	2811*	55*	16
2100 Lumens 97 CRI (L21A)	1192*	3833*	57*	21
1700 Lumens 90 CRI (L17H)	969*	3117*	61*	16
2300 Lumens 90 CRI (L23H)	1335*	4292*	64*	21
1900 Lumens 80 CRI (L19S)	1144*	3679*	72*	16
2700 Lumens 80 CRI (L27S)	1589	5110	76	21

\*estimated values



### CANDLEPOWER DISTRIBUTION (Candela)

(based on a 2700 lumen LED test)

Vertical Angle	Horizontal Angle				
	0	45	90	135	180
0	2821	2821	2821	2821	2821
5	3828	3325	2614	2010	1849
15	5110	3802	1989	1117	943
25	3353	2050	458	55	46
35	1067	421	36	11	11
45	40	21	3	0	0
55	2	0	0	0	0
65	0	0	0	0	0
75	0	0	0	0	0
85	0	0	0	0	0
90	0	0	0	0	0

## PHOTOMETRIC REPORT with 40° reflector (TESTED PER IESNA LM-79-2008)

Prorated from Leading Testing Laboratories Report No. UT18090004-02a. Original test report furnished upon request.

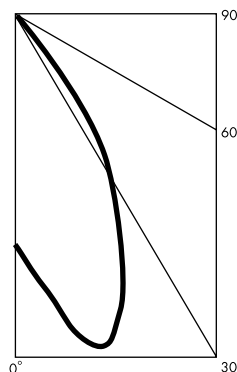
Luminaire ..... recessed LED round accent light with semi-specular clear aluminum reflector, LED aimed at 15° above vertical  
 Lamp ..... Citizen LED, 2700 lumens, 3000K CCT, 80 CRI, with 40° beam spread integral reflector  
 Lamp Life ..... rated 50,000 hours based on L70/B50 criteria. LM80 report by LED manufacturer furnished upon request

### LUMINAIRE LIGHT OUTPUT AND EFFICACY

(based on a 2700 lumen LED test)

LED Light Engine	Luminaire Light Output	Luminaire CBCP	Luminaire Efficacy (lms/watt)	System Wattage
1500 Lumens 97 CRI (L15A)	834*	1835*	52*	16
2100 Lumens 97 CRI (L21A)	1138*	2503*	54*	21
1700 Lumens 90 CRI (L17H)	925*	2036*	58*	16
2300 Lumens 90 CRI (L23H)	1274*	2803*	61*	21
1900 Lumens 80 CRI (L19S)	1092*	2403*	68*	16
2700 Lumens 80 CRI (L27S)	1517	3337	72	21

\*estimated values



### CANDLEPOWER DISTRIBUTION (Candela)

(based on a 2700 lumen LED test)

Vertical Angle	Horizontal Angle				
	0	45	90	135	180
0	2225	2225	2225	2225	2225
5	2548	2410	2178	1957	1884
15	3337	2976	2299	1670	1489
25	2382	1865	765	178	137
35	1138	572	67	22	23
45	21	14	5	0	0
55	1	0	0	0	0
65	0	0	0	0	0
75	0	0	0	0	0
85	0	0	0	0	0
90	0	0	0	0	0

## PHOTOMETRIC REPORT with 56° reflector (TESTED PER IESNA LM-79-2008)

Prorated from Leading Testing Laboratories Report No. UT18090004-03a. Original test report furnished upon request.

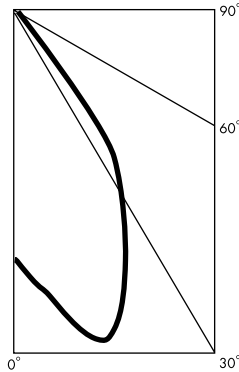
Luminaire ..... recessed LED round accent light with semi-specular clear aluminum reflector, LED aimed at 15° above vertical  
 Lamp ..... Citizen LED, 2700 lumens, 3000K CCT, 80 CRI, with 56° beam spread integral reflector  
 Lamp Life ..... rated 50,000 hours based on L70/B50 criteria. LM80 report by LED manufacturer furnished upon request

### LUMINAIRE LIGHT OUTPUT AND EFFICACY

(based on a 2700 lumen LED test)

LED Light Engine	Luminaire Light Output	Luminaire CBCP	Luminaire Efficacy (lms/watt)	System Wattage
1500 Lumens 97 CRI (L15A)	871*	1465*	54*	16
2100 Lumens 97 CRI (L21A)	1187*	1997*	57*	21
1700 Lumens 90 CRI (L17H)	966*	1624*	60*	16
2300 Lumens 90 CRI (L23H)	1330*	2237*	63*	21
1900 Lumens 80 CRI (L19S)	1140*	1917*	71*	16
2700 Lumens 80 CRI (L27S)	1583	2663	75	21

\*estimated values



### CANDLEPOWER DISTRIBUTION (Candela)

(based on a 2700 lumen LED test)

Vertical Angle	Horizontal Angle				
	0	45	90	135	180
0	1931	1931	1931	1931	1931
5	2134	2039	1905	1775	1729
15	2663	2406	1930	1421	1300
25	2024	1726	899	412	346
35	1296	784	294	146	145
45	342	233	51	3	1
55	29	7	0	0	0
65	0	0	0	0	0
75	0	0	0	0	0
85	0	0	0	0	0
90	0	0	0	0	0

### LIGHT OUTPUT MULTIPLIER

(based on a 2700 lumen LED test)

LED Light Engine	Light Output Multiplier
1500 Lumens 97 CRI (L15A)	0.55*
2100 Lumens 97 CRI (L21A)	0.75*
1700 Lumens 90 CRI (L17H)	0.61*
2300 Lumens 90 CRI (L23H)	0.84*
1900 Lumens 80 CRI (L19S)	0.72*
2700 Lumens 80 CRI (L27S)	1

\*estimated values

### STANDARD DRIVER INFORMATION

(UL Class 2, dry and damp location)

Voltage	120	277
Input Watts (L15A/L21A/L17H/L23H/L19S/L27S lumens)	16/21	16/21
Input Current (A) (L15A/L21A/L17H/L23H/L19S/L27S lumens)	.13/.18	.06/.08
Output Current (mA)	350-500	350-500
Min. Power Factor	>0.9	>0.9
Operating Temperature Range (F)	-4 to 122	-4 to 122

### REFLECTOR COLOR MULTIPLIERS

Semi-specular clear (C)	1
Slightly diffuse clear (V)	.95
Fully diffuse clear (EC)	.88
Champagne gold clear (G)	.95
Black (B)	.49

### LED CCT MULTIPLIERS

2700K	.96
3000K	1
3500K	1.02
4000K	1.03
5000K	1.04