

Project

Type



Date

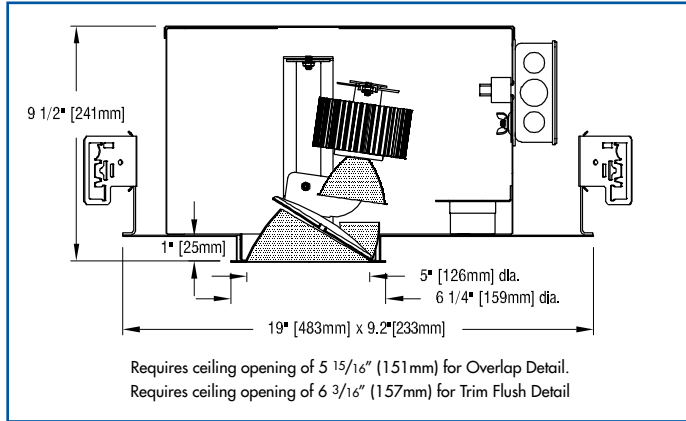
Product Code

Designer

EPIC FIVE HI CZS WL

recessed IC LED wallwasher

HIGH OUTPUT - HIGH OUTPUT - HIGH OUTPUT - HIGH OUTPUT - HIGH OUTPUT - HIGH OUTPUT - HIGH OUTPUT - HIGH OUTPUT



FEATURES

- **EPIC FIVE HI CZS WL is a 5" aperture LED wallwasher** designed for insulation contact (IC) and certified airtight under ASTM E183. Luminaire is powered by Citizen chip-on-board LEDs providing CRIs of 80+, 90+ or 97. See tables below for wattages and efficacies.
- **Precise reflectors design provides uniform illumination** on vertical surfaces up to the ceiling line and minimizes aperture brightness. The optical assembly consists of two internal reflectors, a 40° x 70° glass spread lens, and an external trim. Assembly may be rotated 363°, oriented as desired and locked in place.
- **An optional Optical Accessories holder** permits the use of one of a number of optical accessories including color filters and screens.
- **External reflectors are available in clear natural aluminum finishes** — semi-specular (C), slightly diffuse (V) or fully diffuse (EC) — as well as champagne gold, black Alzak® or white. Other finishes available on special order.
- **Housing is constructed from 20-gauge electro-zinc, polyester-coated steel** in Edison Price Lighting's American factory. Heavy-gauge metals, an additional protective coating, and American manufacturing guarantees long-lasting durability.
- **Luminaire includes a pair of residential mounting bars** extendable to 20" and designed for use in wood joists.
- **For more information, [click here](#).**

APPLICATIONS

Luminaire is listed for direct contact with insulation, certified airtight under ASTM E283, and suitable for damp location. Luminaire is prewired, suitable for use in a fire rated ceiling, and approved for eight #12 wire 75 C branch circuit pull-through wiring. Removal of the external reflector allows access to the LED module, driver and junction box.



Warranty Detail Our 5-year warranty does not include the provision of scaffolding, man-lifts, 'cherry pickers' or other extraordinary means of access to a product requiring maintenance.

Standard recessed, see [FIVE HI CZS WL](#)
For lower pricing, see [EPIC LED FIT WL/5](#)

PRODUCT CODE

For complete product code, list basic unit and select one item from each following box.

Basic Unit.....EPIC-CZS2-5WL

Driver

dimable to 1% by a 0-10V dimmer on 120 or 277-volt service..... DMV
dimable to 5% or 10% by either an incandescent or ELV dimmer;
120-volt service only..... DMP
dimable to 1% by a 2-wire Lutron compatible dimmer..... DMHLU
dimable to 1% SoftOn/FadeToBlack by a Lutron EcoSystem control.... ECO-LU
eldoLED 0-10V (Logarithmic) driver dimable to 0.1% with a
0-10V dimmer on 120 or 277-volt service..... DVOELG
eldoLED 0-10V (Linear) driver dimable to 0.1% with a
0-10V dimmer on 120 or 277-volt service..... DVOELN
eldoLED driver dimable to 0.1%, compatible with
DAU control system..... DA0-EL

Light Source Output (Lumens)

1500L / CRI 972700K & 3000K only..... L15A
2100L2700K & 3000K only..... L21A
1700L / CRI 90+2700K & 3000K only..... L17H
2300L2700K & 3000K only..... L23H
1900L / CRI 80+ L19S
2700L L27S

Light Color

2700 K..... 27K
3000 K..... 30K
3500 K..... not available with all Light Source Outputs..... 35K
4000 K..... not available with all Light Source Outputs..... 40K
5000 K..... not available with all Light Source Outputs..... 50K

Voltage

120 volt service..... 120
277 volt service..... 277

External Reflector Color and Detail

	Overlap	Trim Flush*
Semi-specular Clear.....	COL.....	CTF
Slightly diffuse Clear.....	VOL.....	VTF
Fully diffuse Clear.....	ECOL.....	ECTF
Champagne Gold.....	GOL.....	GTF
Black.....	BOL.....	BTF
White.....	WOL.....	WTF

Standard reflector flange continues reflector finish. White painted flanges and custom painted flanges are available on special order. Add WF (white flange) or CCF (custom color flange).

*Trim Flush reflector trim requires the use of a plaster ring Accessory (see below).

▶ Reflectors detailed for metal or wood ceilings available on special order.

ACCESSORIES Specify as separate line item.

holder for Optical Accessory..... XTM/5 OA HLDR
Plaster ring allows use of 5 7/8" OD Trim Flush (TF)
reflector in sheetrock ceiling: 6 3/16" dia hole required.....TF RING/5

OPTICAL ACCESSORIES ▼ see next page



OPTICAL ACCESSORIES *Specify as separate line*

For use only with the "holder for Optical Accessory" accessory listed on the page above.
All are 3 3/4" (95mm) diameter.

33% light reduction screen	SCR33/3.75
50% light reduction screen	SCR50/3.75
beam smoother	DIF05/3.75

color filters

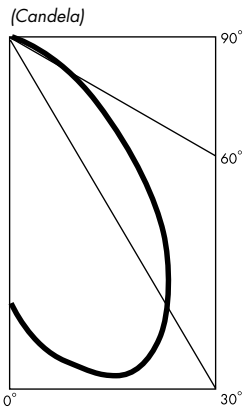
surprise pink	PNK/3.75
daylight blue	DAY/3.75
amber	AMB/3.75
blue	BLU/3.75
green	GRN/3.75
red	RED/3.75

PHOTOMETRIC REPORT (tested per IESNA LM-79-2008)

Prorated from Leading Testing Laboratories Report No. UT18080001-05a. Original test report furnished upon request.

Luminaire recessed LED round lensed wallwasher with semi-specular clear aluminum reflector
Lamp Citizen LED, 2700 lumens, 3000K CCT, 80 CRI, with 56° beam spread integral reflector
Lamp Life rated 50,000 hours based on L70/B50 criteria. LM80 report by LED manufacturer furnished upon request

CANDLEPOWER DISTRIBUTION



WALLWASH INFORMATION

(based on a 2700 lumen LED test)

Distance From Ceiling (Feet)	3' 6" From Wall; 3' 6" O.C.		4' From Wall; 3' 6" O.C.	
	Below Fixture	Between Fixtures	Below Fixture	Between Fixtures
1	14	12	11	10
2	26	22	19	18
3	32	30	26	25
4	31	30	27	27
5	27	26	26	25
6	21	21	22	21
7	17	16	18	18
8	13	13	14	14
9	10	10	11	11
10	8	8	9	9
11	7	7	7	7
12	5	5	6	6

These tables list initial illuminance values at the center of a row of at least 5 fixtures with no contribution from ceiling or floor reflectance.

LIGHT OUTPUT MULTIPLIER

(based on a 2700 lumen LED test)

LED Light Engine	Light Output Multiplier
1500 Lumens 97 CRI (L15A)	0.55*
2100 Lumens 97 CRI (L21A)	0.75*
1700 Lumens 90 CRI (L17H)	0.61*
2300 Lumens 90 CRI (L23H)	0.84*
1900 Lumens 80 CRI (L19S)	0.72*
2700 Lumens 80 CRI (L27S)	1

*estimated values

LUMINAIRE LIGHT OUTPUT AND EFFICACY

(based on a 2700 lumen LED test)

LED Light Engine	Luminaire Light Output	Luminaire Efficacy (lms/watt)	System Wattage
1500 Lumens 97 CRI (L15A)	598*	37*	16
2100 Lumens 97 CRI (L21A)	815*	39*	21
1700 Lumens 90 CRI (L17H)	663*	41*	16
2300 Lumens 90 CRI (L23H)	913*	43*	21
1900 Lumens 80 CRI (L19S)	783*	49*	16
2700 Lumens 80 CRI (L27S)	1087	52	21

*estimated values

LED CCT MULTIPLIERS

2700K	.96
3000K	1
3500K	1.02
4000K	1.03
5000K	1.04

STANDARD DRIVER INFORMATION

(UL Class 2, dry and damp location)

Voltage	120	277
Input Watts (L15A/L21A/L17H/L23H/L19S/L27S lumens)	16/21	16/21
Input Current (A) (L15A/L21A/L17H/L23H/L19S/L27S lumens)	.13/.18	.06/.08
Output Current (mA)	350-500	350-500
Min. Power Factor	>0.9	>0.9
Operating Temperature Range (F)	-4 to 122	-4 to 122

REFLECTOR COLOR MULTIPLIERS

Semi-specular clear (C)	1
Slightly diffuse clear (V)	.95
Fully diffuse clear (EC)	.88
Champagne gold clear (G)	.95
Black (B)	.49