

Project

Type



Date

Product Code

Designer

# EPIC WET LOCATION FTF/4

recessed IC LED wet location downlight

WET LOCATION - OUTDOOR APPLICATION - WET LOCATION - OUTDOOR APPLICATION - WET LOCATION - OUTDOOR APPLICATION - WET LOCATION

## FEATURES

- **EPIC Wet Location FTF/4 is a 4" aperture, wet location, LED downlight** designed for insulation contact (IC) and certified airtight under ASTM E283. Reflector design minimizes aperture brightness with a shielding angle of 40°.
- **Luminaire is powered by one of a number of Philips Fortimo DLM remote phosphor LED modules with a CRI of 90.** Luminaire may be specified with 2700K, 3000K or 3500K color. See tables below for system wattages and luminaire efficacies.
- **Housing is constructed from 20-gauge electro-zinc, polyester-coated steel** in Edison Price Lighting's American factory. Heavy-gauge metals, an additional protective coating, and American manufacturing guarantees long-lasting durability.
- **Reflector mounts a 5/32" thick prismatic glass lens which protects the fixture from a direct spray of water.** Reflector assembly is attached to the luminaire housing with positive torsion springs that pull the reflector flange tight to the ceiling.
- **Reflector is available in two clear natural aluminum finishes** — semi-specular (C) or slightly diffuse (V) — as well as champagne gold and black Alzak®. Other reflector finishes are available on special order.
- **Luminaire includes a pair of residential bars extendable to 20" and designed for use in wood joists.**
- **For more information, [click here](#).**

## APPLICATIONS

Luminaire is recommended for use in showers, locker rooms, natatoriums and other spaces where the apertures of recessed downlights may be subject to a direct spray of water and where insulation is specified or likely to be retrofitted into the ceiling plenum.

Luminaire is listed for direct contact with insulation as well as Wet Location with a covered ceiling only. Luminaire is certified airtight under ASTM E283.

Luminaire is prewired, suitable for use in a fire rated ceiling, and approved for eight #12 wire 75° C branch circuit pull-through wiring. Luminaire is Title 24 (2014) and RoHS compliant. Removal of the reflector allows access to the driver and junction box.



### MODIFICATIONS AVAILABLE

Contact factory with quantity for pricing; orders may require shop drawing approval.

**+2"CLG:** luminaire suitable for installation in **2" thick ceiling** material; add +2"CLG to Product Code.

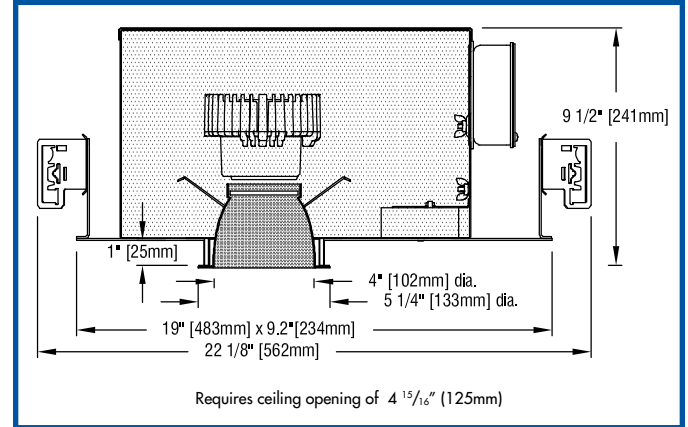
**+MAR:** reflector suitable for **marine** environments; add +MAR to Product Code.

Standard recessed, see [LED FTF DL/4](#)

Wet location, see [Wet Location LED FTF/4](#)

IC-rated, see [EPIC LED FTF DL/4](#)

For steam rooms, see [SteamRoom FTF/4](#)



## PRODUCT CODE

For complete product code, list basic unit and select one item from each following box.

**Basic Unit** ..... EPIC-SHW-FTF-4DL

### Light Source Output

1100 lumens .....	- L11
1500 lumens .....	- L15

### Driver

dimmable to 1% by a 0-10V dimmer on 120 or 277-volt service.....	- DMV-AD
dimmable to 1% SoftOn/FadeToBlack by a Lutron EcoSystem control, on 120-volt or 277-volt service .....	- ECO-LU
dimmable to 1% by a 2-wire Lutron compatible dimmer, on 120-volt service only .....	- DMI-LU
eldoLED 0-10V (Logarithmic) driver dimmable to 0.1% with a 0-10V dimmer on 120 or 277-volt service .....	- DVOELG
eldoLED 0-10V (Linear) driver dimmable to 0.1% with a 0-10V dimmer on 120 or 277-volt service .....	- DVOELN

### Light Engine Color

2700K (CRI 90) .....	- 27K
3000K (CRI 90) .....	- 30K
3500K (CRI 90) .....	- 35K

**Voltage:** standard luminaire operates on either 120 or 277 service

### Reflector Color and Detail

Semi specular Clear .....	- COL
Slightly diffuse Clear .....	- VOL
Champagne Gold .....	- GOL
Black .....	- BOL
Other reflector finishes available on special order.	

Overlap Flange continues reflector finish. White painted flanges and custom painted flanges are available on special order. Add WF (white flange) or CCF (custom color flange).



## PHOTOMETRIC REPORT (tested per IESNA LM-79-2008)

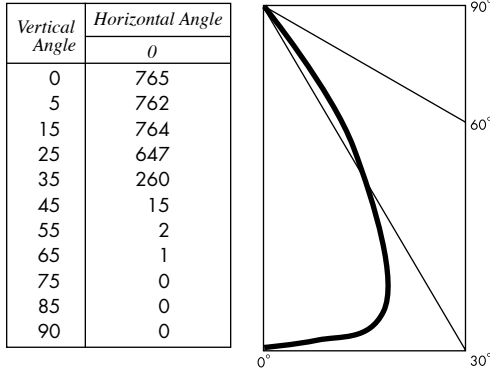
Prorated by Verification Services Inc. Test No. 1279992.01. Original test report furnished upon request.

Luminaire ..... recessed LED round downlight with aluminum reflector

Lamp ..... Philips LED Fortimo DLM 1500, 3000K CCT

Spacing Criteria ..... 1.1

### CANDLEPOWER DISTRIBUTION



### LUMINAIRE LIGHT OUTPUT AND EFFICACY based on 1500 Lumens, 3000K

LED Module Type	Luminaire Light Output	Luminaire Efficacy (lms/watt)	Luminaire Light Output	Luminaire Efficacy (lms/watt)	Luminaire Light Output	Luminaire Efficacy (lms/watt)	System Wattage
	2700K		3000K		3500K		
L11	550*	37*	573*	38*	588*	39*	15
L15	733*	39*	764	40*	795*	42*	19

\*estimated values

### ZONAL LUMEN SUMMARY

Zone	Lumens	% Fixture
0 - 30°	578	75.7
0 - 40°	741	97.0
0 - 60°	763	99.8
0 - 90°	764	100.0
90 -180°	0	0.0
0 -180°	764	100.0

### LUMINANCE DATA

Vertical Angle	Candelalm <sup>2</sup>
45	2865
55	371
65	219
75	143
85	106

### DRIVER INFORMATION *UL Class 2, dry and damp location*

Voltage	120	277
Input Watts (1100/1500 lumens), 3000K	15/19	15/19
Input Current (A) (1100/1500 lumens)	.11/.14	.05/.06
Min. Power Factor	>0.95	>0.95
Operating Temperature Range (F)	-4 to 122	-4 to 122

### LIGHT OUTPUT MULTIPLIERS

Light Source Output	2700K	3000K	3500K
L11	0.72*	0.75*	0.77*
L15	0.96*	1	1.04*

\*estimated values

### COLOR MULTIPLIERS

Semi-specular Clear (C)	1
EvenTone (V)	.95
Champagne Gold (G)	.95
Black (B)	.49