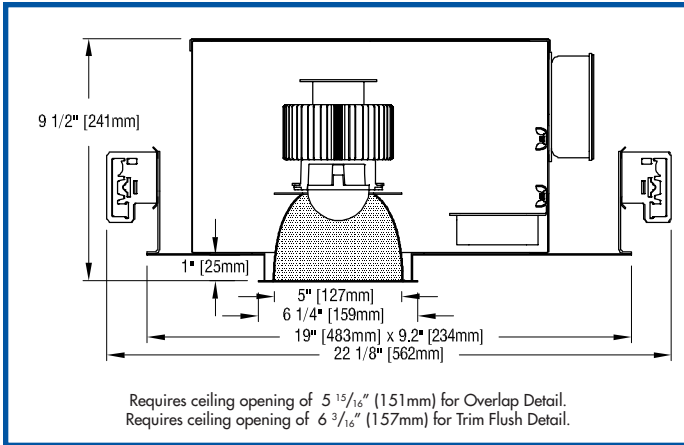


# EPIC APLUS WHITELIGHT/5

recessed IC LED downlight/wallwasher



DOWNLIGHT - WALLWASHER - DOUBLE WALLWASHER - CORNER WALLWASHER



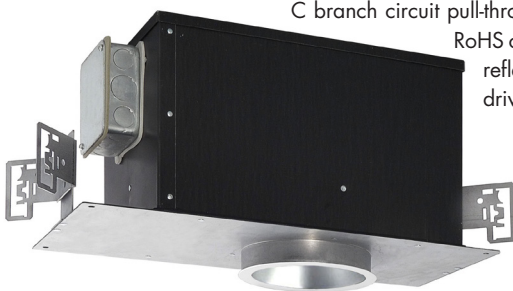
## FEATURES

- **EPIC APlus Whitelight/5 is a 5" aperture LED downlight/wallwasher** designed for insulation contact (IC) and certified airtight under ASTM E283. Precise reflector minimizes aperture brightness and provides a shielding angle of 40°. Recess depth is only 9 1/2".
- **Luminaire is powered by one of a number of Cree WhiteLight 90+CRI LED light engines.** See tables below for wattages and efficacies.
- **Luminaire housing allows interchangeable use of downlight and wallwash reflectors.** This permits housings to be installed first and reflectors installed or changed at any time. Wallwash reflectors available are: wallwash (120°), corner wallwash (210°), and double wallwash (2x120°).
- **Reflectors are available in two clear natural aluminum finishes** — slightly diffuse (V) or fully diffuse (EC) — as well as champagne gold Alzak® and white. Other reflector finishes are available on special order.
- **Luminaire includes a pair of residential mounting bars** extendable to 20" and designed for use in wood joists.
- **For more information, [click here.](#)**

## APPLICATIONS

Luminaire is listed for direct contact with insulation, certified airtight under ASTM E283, and suitable for damp location. Luminaire is prewired, suitable for use in a fire rated ceiling, and approved for eight #12 wire 75° C branch circuit pull-through wiring. Luminaire is

RoHS compliant. Removal of the reflector allows access to the driver and junction box.



## PRODUCT CODE

For complete product code, list basic unit and select one item from each following box.

Basic Unit ..... EPIC-AP-CLW-5

Light Source Output  
850 lumens ..... - L08  
1250 lumens ..... - L12

Driver  
DVP driver: dimmable to  
- 5% by a 0-10V dimmer on 120V or 277V service; or  
- 10% by an incandescent dimmer on 120V only; or  
- 10% by an electronic low voltage (ELV) dimmer on 120V only ..... DVP  
dimmable to 10% by either an electronic low voltage (ELV)  
or incandescent dimmer; suitable only for 120-volt service ..... DMP

Light Engine Color  
2700K ..... - 27K  
3000K ..... - 30K  
3500K ..... - 35K  
4000K ..... - 40K

Voltage  
120 volt service ..... - 120  
277 volt service ..... - 277

Reflector Type  
Downlight ..... no suffix  
Wallwash ..... WW  
Corner Wallwash ..... CWW  
Double Wallwash ..... DWW

Reflector Color and Detail	Overlap Flange	Trim Flush*
Slightly diffuse Clear.....	VOL.....	VTF
Fully diffuse Clear.....	ECOL.....	ECTF
Champagne Gold.....	GOL.....	GTF
White.....	WOL.....	WTF
Other reflector finishes available on special order.		

Overlap Flange continues reflector finish. White painted flanges and custom painted flanges are available on special order. Add WF (white flange) or CCF (custom color flange).  
\*Trim Flush reflector trim requires the use of a plaster ring Accessory (see below).

## ACCESSORIES

Specify as a separate line item.

**Plaster ring** allows use of 5 7/8" OD Trim Flush (-TF) reflector in sheetrock ceiling; 6 3/16" dia hole required.....TF RING/5

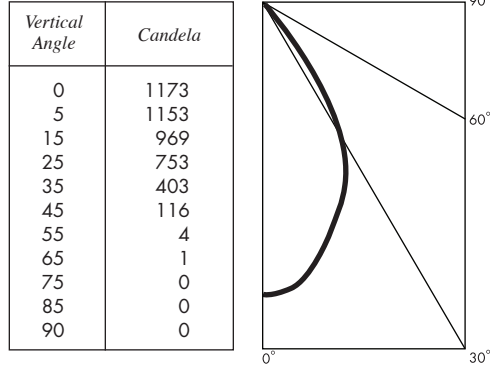


## PHOTOMETRIC REPORT (tested per IESNA LM-79-2008)

Prorated from Verification Services Report No. 369315. Original report furnished upon request.

Luminaire ..... recessed LED round downlight with aluminum reflector  
 Lamp ..... Cree LMH2 White Light LED, 1250 lumens, 3000K CCT, 90 CRI minimum  
 Lamp Life ..... rated 50,000 hours based on L70/B50 criteria. LM80 report by  
 LED manufacturer furnished upon request  
 Spacing Criteria ..... 0.9

### CANDLEPOWER DISTRIBUTION



### STANDARD DRIVER (0-10V DIMMING) INFORMATION

UL Class 2, dry and damp location

Voltage	120	277
Input Watts (850/1250 lumens)	11/16	11/16
Input Current (A) (850/1250 lumens)	.09/.13	.04/.06
Output Current (mA)	440/440	440/440
Min. Power Factor	>0.9	>0.9
Operating Temperature Range (F)	32 to 122	32 to 122

### LIGHT OUTPUT MULTIPLIERS

Based on 1250 lumens LED

LED Light Engine	Light Output Multiplier
850 Lumens	.68*
1250 Lumens	1

\*estimated value

### LUMINANCE DATA

Vertical Angle	Candela/m <sup>2</sup>
45	12759
55	537
65	174
75	0
85	0

To convert cd/m<sup>2</sup> to footlamberts multiply by 0.2919.

### ZONAL LUMEN SUMMARY

Zone	Lumens	% Fixture
0 – 30°	720	67.2
0 – 40°	970	90.6
0 – 60°	1070	99.9
0 – 90°	1071	100.0
90 – 180°	0	0.0
0 – 180°	1071	100.0

### COLOR MULTIPLIERS

Slightly diffuse clear (V)	1
Fully diffuse clear (EC)	.93
Champagne gold (G)	1

### LUMINAIRE LIGHT OUTPUT AND EFFICACY

LED Light Engine	Luminaire Light Output	Luminaire Efficacy (lms/watt)	System Wattage
850 Lumens	719*	65	11
1250 Lumens	1057*	66	16

\*estimated values

## PHOTOMETRIC REPORT (tested per IESNA LM-79-2008)

Prorated from Verification Services Report No. 369317. Original report furnished upon request.

Luminaire ..... recessed LED round wallwasher with aluminum reflector  
 Lamp ..... Cree LMH2 White Light LED, 1250 lumens, 3000K CCT, 90 CRI minimum  
 Lamp Life ..... rated 50,000 hours based on L70/B50 criteria. LM80 report by LED manufacturer furnished upon request

### LUMINAIRE LIGHT OUTPUT AND EFFICACY

LED Light Engine	Luminaire Light Output	Luminaire Efficacy (lms/watt)	System Wattage
850 Lumens	706*	64	11
1250 Lumens	1034*	65	16

\*estimated values

### LIGHT OUTPUT MULTIPLIERS

Based on 2000 lumens LED

LED Light Engine	Light Output Multiplier
850 Lumens	.68*
1250 Lumens	1

\*estimated value

### WALLWASH INFORMATION *Based on 1250 lumens LED*

Distance From Ceiling (Feet)	2' 6" From Wall; 2' 6" O.C.		3' From Wall; 3' O.C.	
	Below Fixture	Between Fixtures	Below Fixture	Between Fixtures
1	4	4	2	2
2	12	11	7	7
3	14	13	9	9
4	16	15	10	10
5	16	16	11	11
6	14	14	11	11
7	12	12	10	10
8	10	10	9	9
9	9	9	8	8
10	8	8	7	7
11	6	7	6	6
12	6	6	5	5
13	5	5	5	5
14	4	4	4	4
15	4	4	4	4

All vertical footcandles are initial values with no contribution from ceiling or floor reflectances. Computation performed with a total of ten wallwashers.