

Project

Type



Date

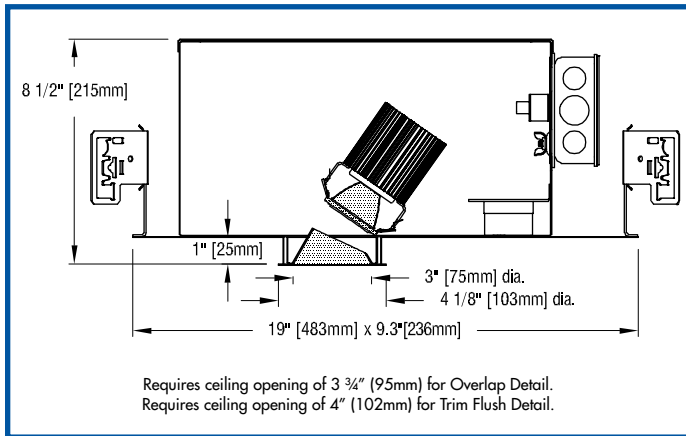
Product Code

Designer

EPIC THREE AA

recessed insulation contact/Chicago Plenum LED accent light

PRECISE OPTICS - PRECISE OPTICS - PRECISE OPTICS - PRECISE OPTICS - PRECISE OPTICS



FEATURES

- **EPIC THREE AA is a 3" aperture LED accent light designed for insulation contact (IC), certified airtight under ASTM, and is suitable for Chicago Plenum.** Luminaire is powered by one of a number of Xicato XTM (19mm) LED modules, distinguished by extraordinary color consistency (within 1x2-step MacAdam ellipse). See below for wattages and efficacies.
- **Luminaire provides 362° horizontal rotation and 0°-35° angular adjustment.** Once focused, adjustment may be locked by a thumb screw and a wing nut.
- **Luminaire employs an internal 'twist and lock' reflector** to produce an initial beamspread of 36° or 54°. To allow beamspread to be changed in installed luminaires, internal reflectors are available as accessories.
- **Luminaire includes a complimentary Beam Smoother** which may be replaced by one or two [Optical Accessories](#) including lenses and screens.
- **External reflectors, cut at 25°**, are available in three natural aluminum finishes – semi-specular (C), slightly diffuse (V) or fully diffuse (EC) – as well as black Alzak® and specular white enamel. Other finishes are available on special order. A LightPlate may be used instead of an external reflector.
- **Luminaire may be converted to a downlight in the field** by re-setting the angular adjustment yoke and replacing the standard external reflector with an optional 0° cut reflector.
- **Housing is constructed from 20-gauge electro-zinc, polyester-coated steel** in Edison Price Lighting's American factory. Heavy-gauge metals, an additional protective coating, and American manufacturing guarantees long-lasting durability.
- **Luminaire includes a pair of residential mounting bars** extendable to 20" and designed for use in wood joists.
- **For more information, [click here](#).**

APPLICATIONS

Luminaire is listed for direct contact with insulation, certified airtight under ASTM E283, and suitable for damp location. Luminaire also meets Chicago Plenum (CCEA) requirements and is RoHS compliant.



Luminaire is prewired, suitable for use in a fire rated ceiling, and approved for eight #12 wire 75° C branch circuit pull-through wiring. Removal of the reflector allows access to the driver and junction box.

Standard recessed, see [THREE XTM AA](#)
Install-from-below, see [PRESTO THREE LED AA](#)
For shallower depths and lower pricing, see [EPIC WAFER/3 AA](#)

PRODUCT CODE

For complete product code, list basic unit and select one item from each following box.

Basic Unit EPIC-XTM-3AA

Internal Reflector *Choose one.*

36° initial beamspread - 36D
54° initial beamspread - 54D

Dimmer

dimmable to 1% by a 0-10V dimmer on 120-volt or 277-volt service - DMV
dimmable to 5% or 10% (see Light Source Output box below) by an incandescent or ELV dimmer; 120-volt service only - DMP
eldoLED 0-10V (Logarithmic) driver dims to 0.1% with a 0-10V dimmer on 120 or 277-volt service - DVOELG
eldoLED 0-10V (Linear) driver dims to 0.1% with a 0-10V dimmer on 120 or 277-volt service - DVOELN
eldoLED driver dims to 0.1%, compatible with DALI control system - DA0-EL

Light Source Output (Lumens)

700 lumens / CRI 98 Artist - L07A
1000 lumens / CRI 98 Artist DMP (10%) - L10A
1000 lumens / CRI 80+ DMP (10%) - L10S
1000 lumens / CRI 80+ Vibrant* DMP (10%) - L10V
1200 lumens / CRI 98 Artist DMP (5%) - L12A
1300 lumens / CRI 80+ DMP (10%) - L13S
1300 lumens / CRI 80+ Vibrant* DMP (10%) - L13V
1600 lumens / CRI 80+ DMP (5%) - L16S
1600 lumens / CRI 80+ Vibrant* DMP (5%) - L16V

* Vibrant LED modules are available with 3000K color only.

Light Color

2700 K not available with Vibrant LEDs - 27K
3000 K - 30K
3500 K not available with Vibrant LEDs - 35K
4000 K not available with Vibrant LEDs - 40K

External Reflector Color and Trim	Overlap	Trim Flush*
Semi-specular Clear	COL	CTF
Slightly diffuse Clear	VOL	VTF
Fully diffuse Clear	ECOL	ECTF
Champagne Gold	GOL	GTF
Black	BOL	BTF
White	WOL	WTF

Standard reflector flange continues reflector finish. White painted flanges and custom painted flanges are available on special order. Add WF (white flange) or CCF (custom color flange).

*Trim Flush reflector requires the use of a **plaster ring** Accessory (see below).

► Reflectors detailed for metal or wood ceilings available on special order.

LightPlates may be ordered instead of the external reflectors above (see next page).

LightPlate **Downlight Spot**, white DP3-OL DP3-TF
LightPlate **Accent Spot**, white AP3-OL AP3-TF
LightPlate **Accent Slot**, white AL3-OL AL3-TF
Custom painted LightPlates are available on special order. Add -CC

EXTRA REFLECTORS *Specify as separate line items.*

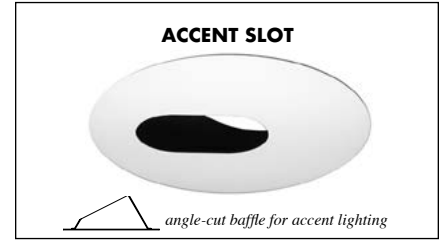
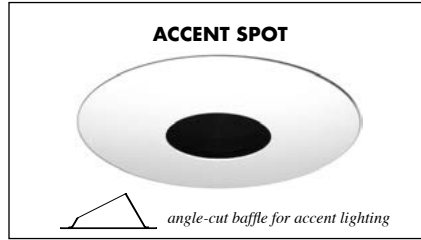
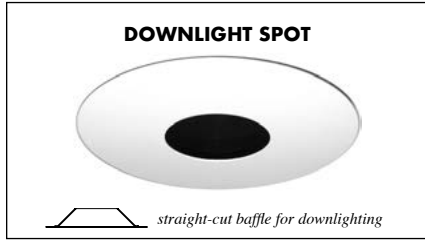
36° internal reflector XTM-REF36-50
54° internal reflector XTM-REF54-50

ACCESSORIES *Specify as a separate line item.*

Plaster ring allows use of 3 3/4" OD Trim Flush (-TF) reflector in sheetrock ceiling; 4" dia hole required TF RING/3



LIGHTPLATES LightPlates may be used instead of standard reflectors.



OPTICAL ACCESSORIES Specify as separate line

All are 2 3/4" (70mm) diameter.

diffuse glass	DGS/2.375
prismatic lens (Solite)	PLS/2.375
55° spread lens	LENS/2.375
40° x 70° spread lens	LENS/2.375-4070
beam smoother	(included with fixture) DIF05/2.375
33% light reduction screen	SCR33/2.375
50% light reduction screen	SCR50/2.375

color filters

surprise pink	PNK/2.375
daylight blue	DAY/2.375
amber	AMB/2.375
blue	BLU/2.375
green	GRN/2.375
red	RED/2.375

See below for photometric reports



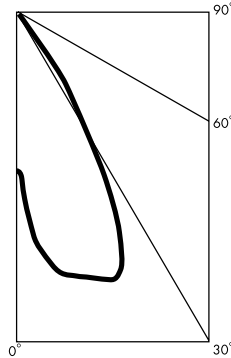
PHOTOMETRIC REPORT with 36° reflector (tested per IESNA LM-79-2008)

Verification Services Report No. 1188772. Original test report furnished upon request.

Luminaire recessed LED round accent light with semi-specular clear aluminum reflector, LED aimed at 15° above vertical
 Light Source one white Xicato XTM 19mm LES LED with 36° beam spread integral reflector, 3000K CCT, 80 CRI, 1600 lumens

CANDLEPOWER DISTRIBUTION (Candela)

Vertical Angle	Horizontal Angle				
	0	45	90	135	180
0	1739	1739	1739	1739	1739
5	2604	2294	1572	1039	817
15	3036	2195	603	84	27
25	2642	1048	39	6	5
35	677	92	5	3	2
45	5	3	1	2	2
55	2	1	1	1	2
65	1	0	0	0	0
75	0	0	0	0	0
85	0	0	0	0	0
90	0	0	0	0	0



LUMINAIRE LIGHT OUTPUT AND EFFICACY

LED Light Engine	Luminaire Light Output	Luminaire Efficacy (lms/watt)	System Wattage
700 Lumens Artist	371*	36*	10
1000 Lumens Artist	493*	33*	15
1000 Lumens standard & Vibrant	497*	48*	10
1300 Lumens standard & Vibrant	664*	45*	15
1600 Lumens standard & Vibrant	801	47	17

*estimated values

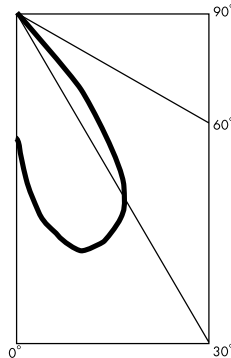
PHOTOMETRIC REPORT with 54° reflector (tested per IESNA LM-79-2008)

Verification Services Report No. 1188773. Original test report furnished upon request.

Luminaire recessed LED round accent light with semi-specular clear aluminum reflector, LED aimed at 15° above vertical
 Light Source one white Xicato XTM 19mm LES LED with 54° beam spread integral reflector, 3000K CCT, 80 CRI, 1600 lumens

CANDLEPOWER DISTRIBUTION (Candela)

Vertical Angle	Horizontal Angle				
	0	45	90	135	180
0	974	974	974	974	974
5	1483	1263	883	616	497
15	1960	1221	374	54	12
25	1869	934	107	5	4
35	1334	488	11	3	2
45	295	50	4	4	2
55	2	2	3	4	4
65	1	0	1	1	2
75	0	0	0	0	0
85	0	0	0	0	0
90	0	0	0	0	0



LUMINAIRE LIGHT OUTPUT AND EFFICACY

LED Light Engine	Luminaire Light Output	Luminaire Efficacy (lms/watt)	System Wattage
700 Lumens Artist	328*	32*	10
1000 Lumens Artist	435*	30*	15
1000 Lumens standard & Vibrant	439*	42*	10
1300 Lumens standard & Vibrant	589*	40*	15
1600 Lumens standard & Vibrant	707	42	17

*estimated values

STANDARD DMV DRIVER INFORMATION (UL Class 2, dry and damp location)

Voltage	120	277
Input Watts (L07A/L10A/L10S&V/L13S&V/L16S&V)	10/15/10/15/17	10/15/10/15/17
Input Current (A) (L07A/L10A/L10S&V/L13S&V/L16S&V)	.08/13/08/13/14	.04/05/04/05/06
Output Current (mA)	350-700	350-700
Min. Power Factor	.99	.99
Operating Temperature Range (F)	-13 to 122	-13 to 122

LIGHT OUTPUT MULTIPLIER

LED Light Engine	Light Output Multiplier
700 Lumens Artist	.46*
1000 Lumens Artist	.61*
1000 Lumens standard & Vibrant	.62*
1300 Lumens standard & Vibrant	.83*
1600 Lumens standard & Vibrant	1.0

*estimated values

REFLECTOR COLOR MULTIPLIERS

Semi-specular clear (C)	1
Slightly diffuse clear (V)	.95
Fully diffuse clear (EC)	.88
Champagne gold clear (G)	.95
Black (B)	.49