

Project

Date Product Code

Type

Designer



EPIC WAFER/2 DL

recessed shallow IC LED downlight

FULLY SUSTAINABLE - FULLY SUSTAINABLE - FULLY SUSTAINABLE - FULLY SUSTAINABLE - FULLY SUSTAINABLE - FULLY SUSTAINABLE - FULLY SUSTAINABLE



FEATURES

- **EPIC WAFER/2 DL is a 2" aperture LED downlight** designed for insulation contact (IC) and certified airtight under ASTM E283. **Recess depth is only 4 1/8".**
- **Luminaire employs an internal 'twist and lock' lens** to produce an initial beamspread of either 32° or 60°. To allow beamspread to be changed in installed luminaires, internal lenses are available as accessories.
- Luminaire is available with **three kinds of LightPlate trim**:
 - **standard (- DP)** for maximum efficacy – or –
 - **with a diffuser (- DHG)** for a soft glow appearance – or –
 - **with a prismatic lens (- PRG)** for maximum spacing ratio.
- **Luminaire is powered by one of a number of Cree Chip on board LED's.** See below for wattages and efficacies.
- **LightPlate trim with white finish** standard. Custom color finish available on special order.
- **EPIC WAFER/2 DL includes a pair of residential mounting bars extendable to 20"** and designed for use in wood joists.
- **For more information, [click here.](#)**

APPLICATIONS

Luminaire is listed for direct contact with insulation, certified airtight under ASTM E283, and suitable for damp location. Luminaire is prewired, suitable for use in a fire rated ceiling, and approved for #12 wire 75° C branch circuit wiring. Removal of the external LightPlate allows access to the LED module and junction box.

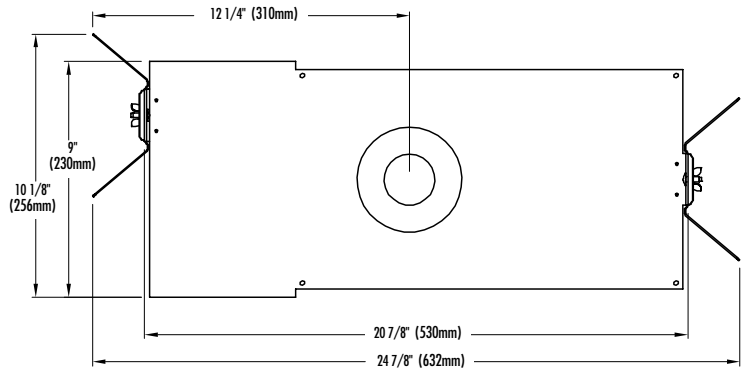
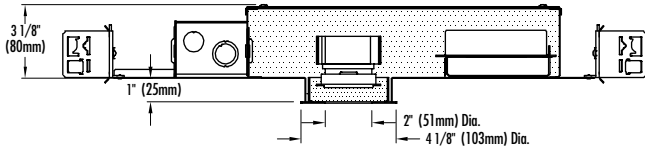
PRODUCT CODE

For complete product code, list basic unit and select one item from each following box.

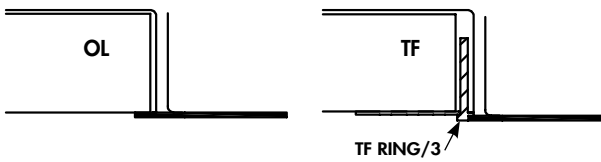
Basic Unit	W2IC-CLT-DL	
Internal Lens <i>Choose one.</i>		
32° initial beamspread	- 32D	
60° initial beamspread	- 60D	
Light Source Output (Lumens)		
800 lumens / CRI 90+	2700K & 3000K only - L08H	
1000 lumens	2700K & 3000K only - L10H	
1000 lumens / CRI 80+	- L10S	
1200 lumens	- L12S	
Driver		
dimmable to 1% by a 0-10V dimmer on 120 or 277-volt service	- DMV	
dimmable to 5% by either an incandescent or electronic low voltage dimmer only; 120-volt service only	- DMP	
dimmable to 1% by a 2-wire Lutron compatible dimmer	- DM1U	
dimmable to 1% SoftOn/FadeToBlack by a Lutron EcoSystem control	- ECO-LU	
eldoLED 0-10V (Logarithmic) driver dimmable to 0.1% with a 0-10V dimmer	- DVOELG	
eldoLED 0-10V (Linear) driver dimmable to 0.1% with a 0-10V dimmer	- DVOELN	
eldoLED driver dimmable to 0.1% with DALI control system	- DA0-EL	
Light Color		
2700 K.....	- 27K	
3000 K.....	- 30K	
3500 K.....	- 35K	
4000 K.....	- 40K	
LightPlate		
	Overlap (OL)	Trim Flush (TF)*
no lens.....	LP-OL.....	LP-TF
with diffuser lens.....	LP-DHG-OL.....	LP-DHG-TF
with prismatic lens.....	LP-PRS-OL.....	LP-PRS-TF
Standard LightPlate white finish. Add - CC for custom color.		
*Trim Flush LightPlate requires the use of a plaster ring Accessory (see below).		
EXTRA INTERNAL LENSES <i>Specify as separate line items.</i>		
32° internal lens	CLT-LENS32-70	
60° internal lens	CLT-LENS60-70	
ACCESSORIES <i>Specify as a separate line item.</i>		
Plaster ring allows use of 3 3/4" OD Trim Flush (-TF) reflector in sheetrock ceiling; 4" dia hole required.....		
TF RING/3		



Requires ceiling opening of $3 \frac{3}{4}$ " (95mm) for Overlap Detail.
Requires ceiling opening of 4" (102mm) for Trim Flush Detail.



EXTERNAL REFLECTOR TRIM DETAILS



– see below for photometric reports –

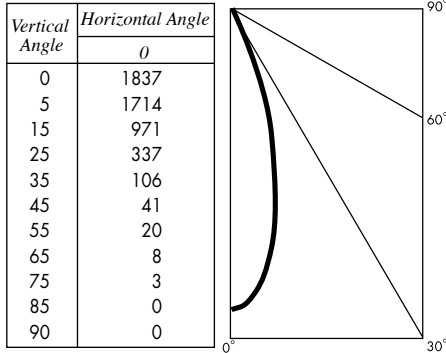


PHOTOMETRIC REPORT with 32° lens (tested per IESNA LM-79-2008)

UL Verification Services Report No. 11863545.05. Original test report furnished upon request.

Luminaire recessed LED round downlight with plate trim and prismatic lens
 Light Source Cree CXB1310 LED with 32° beam spread integral lens, 2700K CCT, 90 CRI, 1000 lumens
 Spacing Criteria 0.5

CANDLEPOWER DISTRIBUTION (Candela)



LUMINANCE DATA

Vertical Angle	Candelalm ²
45	12600
55	7534
65	4370
75	2309
85	1255

ZONAL LUMEN SUMMARY

Zone	Lumens	% Fixture
0 - 40°	646	91.2
0 - 60°	697	98.3
0 - 90°	709	100.0
90 - 180°	0	0.0

LUMINAIRE LIGHT OUTPUT AND EFFICACY

LED Light Engine	Luminaire Light Output	Luminaire Efficacy (lms/watt)	System Wattage	RX Light Output (90 min. run)
800 Lumens 90 CRI	595*	66*	9	390*
1000 Lumens 90 CRI	709	70	10	390*
1000 Lumens 80 CRI	737*	82*	9	475*
1200 Lumens 80 CRI	879*	88*	10	475*

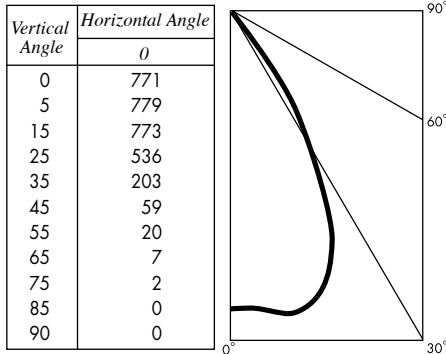
*estimated values

PHOTOMETRIC REPORT with 60° lens (tested per IESNA LM-79-2008)

UL Verification Services Report No. 11863545.04. Original test report furnished upon request.

Luminaire recessed LED round downlight with plate trim and prismatic lens
 Light Source Cree CXB1310 LED with 60° beam spread integral lens, 2700K CCT, 90 CRI, 1000 lumens
 Spacing Criteria 1.0

CANDLEPOWER DISTRIBUTION (Candela)



LUMINANCE DATA

Vertical Angle	Candelalm ²
45	18420
55	7513
65	3712
75	1957
85	1029

ZONAL LUMEN SUMMARY

Zone	Lumens	% Fixture
0 - 40°	661	89.6
0 - 60°	728	98.6
0 - 90°	738	100.0
90 - 180°	0	0.0

LUMINAIRE LIGHT OUTPUT AND EFFICACY

LED Light Engine	Luminaire Light Output	Luminaire Efficacy (lms/watt)	System Wattage	RX Light Output (90 min. run)
800 Lumens 90 CRI	620*	69*	9	406*
1000 Lumens 90 CRI	738	73	10	406*
1000 Lumens 80 CRI	767*	85*	9	494*
1200 Lumens 80 CRI	915*	91*	10	494*

*estimated values

STANDARD DMV DRIVER INFORMATION (UL Class 2, dry and damp location)

Voltage	120	277
Input Watts (I08H/L10H/L10S/L12S)	9/10/9/10	9/10/9/10
Input Current (A) (I08H/L10H/L10S/L12S)	08/08/08/08	04/04/04/04
Output Current (mA)	350-700	350-700
Min. Power Factor	.99	.99
Operating Temperature Range (F)	-13 to 122	-13 to 122

LIGHT OUTPUT MULTIPLIER

LED Light Engine	Light Output Multiplier	RX Light Output Multiplier
800 Lumens 90 CRI	0.84*	.55
1000 Lumens 90 CRI	1	.55
1000 Lumens 80 CRI	1.04*	.67
1200 Lumens 80 CRI	1.24*	.67

*estimated values

REFLECTOR COLOR MULTIPLIERS

Slightly diffuse clear (V)	1
Fully diffuse clear (EC)	.90
Champagne gold clear (G)	1
Specular white (W)	.70
Black (B)	.40