

Project

Date Product Code

Type

Designer



EPIC WAFER/2 DL

recessed IC LED downlight

SHALLOW - SHALLOW - SHALLOW - SHALLOW - SHALLOW - SHALLOW - SHALLOW



FEATURES

- **EPIC WAFER/2 DL is a 2" aperture LED downlight** designed for insulation contact (IC) and certified airtight under ASTM E283. **Recess depth is only 4 1/8".**
- **Luminaire is powered by one of a number of Cree Chip on board LED.** See below for wattages and efficacies.
- **Luminaire employs an internal 'twist and lock' lens** to produce an initial beam-spread of either 32° or 60°. To allow beam-spread to be changed in installed luminaires, internal lenses are available as accessories.
- Luminaire is available with **three kinds of LightPlate trim:**
 - **standard (- DP)** for maximum efficacy – or –
 - **with a diffuser (- DHG)** for a soft glow appearance – or –
 - **with a prismatic lens (- PRG)** for maximum spacing ratio.
- **LightPlate trim with white finish** standard. Custom color finish available on special order.
- **Housing is constructed from 20-gauge electro-zinc, polyester-coated steel** in Edison Price Lighting's American factory. Heavy-gauge metals, an additional protective coating, and American manufacturing guarantees long-lasting durability.
- **EPIC WAFER/2 DL includes a pair of residential mounting bars extendable to 20"** and designed for use in wood joists.
- **For more information, [click here](#).**

APPLICATIONS

Luminaire is listed for direct contact with insulation, certified airtight under ASTM E283, and suitable for damp location. Luminaire is prewired, suitable for use in a fire rated ceiling, and approved for #12 wire 75° C branch circuit wiring. Removal of the external LightPlate allows access to the LED module and junction box.

Standard recessed, see [WAFER/2 DL](#)

PRODUCT CODE

For complete product code, list basic unit and select one item from each following box.

Basic UnitW2IC-CLT-DL

Internal Lens *Choose one.*

32° initial beam-spread - 32D
 60° initial beam-spread - 60D

Light Source Output (Lumens)

800 lumens / CRI 90+2700K & 3000K only - L08H
 1000 lumens2700K & 3000K only - L10H
 1000 lumens / CRI 80+ - L10S
 1200 lumens - L12S

Driver

dimmable to 1% by a 0-10V dimmer on 120 or 277-volt service - DMV
 dimmable to 5% by either an incandescent or electronic low voltage dimmer only; 120-volt service only - DMP
 dimmable to 1% by a 2-wire Lutron compatible dimmer - DM1U
 dimmable to 1% SoftOn/FadeToBlack by a Lutron EcoSystem control - ECO-LU
 eldoLED 0-10V (Logarithmic) driver dimmable to 0.1% with a 0-10V dimmer - DVOELG
 eldoLED 0-10V (Linear) driver dimmable to 0.1% with a 0-10V dimmer - DVOELN
 eldoLED driver dimmable to 0.1% with DALI control system - DA0-EL

Light Color

2700 K - 27K
 3000 K - 30K
 3500 K - 35K
 4000 K - 40K

LightPlate	Overlap (OL)	Trim Flush (TF)*
no lens	LP-OL	LP-TF
with diffuser lens	LP-DHG-OL	LP-DHG-TF
with prismatic lens	LP-PRS-OL	LP-PRS-TF

Standard LightPlate white finish. Add - CC for custom color.
 *Trim Flush LightPlate requires the use of a **plaster ring** Accessory (see below).

EXTRA INTERNAL LENSES

Specify as separate line items.

32° internal lens CLT-LENS32-70
60° internal lens CLT-LENS60-70

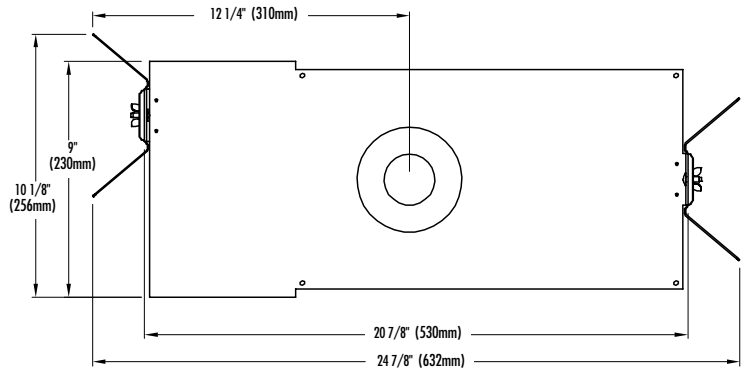
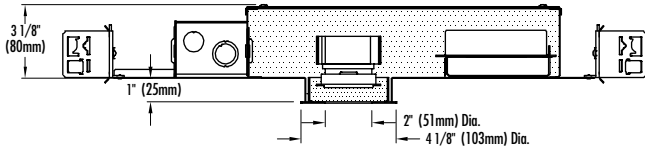
ACCESSORIES

Specify as a separate line item.

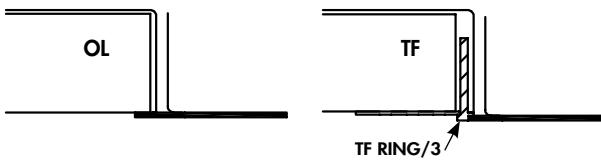
Plaster ring allows use of 3 3/4" OD Trim Flush (-TF) reflector in sheetrock ceiling; 4" dia hole required..... TF RING/3



Requires ceiling opening of 3 3/4" (95mm) for Overlap Detail.
Requires ceiling opening of 4" (102mm) for Trim Flush Detail.



EXTERNAL REFLECTOR TRIM DETAILS



– see below for photometric reports –



PHOTOMETRIC REPORT with 32° lens (tested per IESNA LM-79-2008)

UL Verification Services Report No. 11863545.05. Original test report furnished upon request.

Luminaire recessed LED round downlight with plate trim and prismatic lens
 Light Source Cree CXB1310 LED with 32° beam spread integral lens, 2700K CCT, 90 CRI, 1000 lumens
 Spacing Criteria 0.5

CANDLEPOWER DISTRIBUTION (Candela)

Vertical Angle	Horizontal Angle	
	0	
0	1837	
5	1714	
15	971	
25	337	
35	106	
45	41	
55	20	
65	8	
75	3	
85	0	
90	0	

LUMINANCE DATA

Vertical Angle	Candela/m ²
45	12600
55	7534
65	4370
75	2309
85	1255

ZONAL LUMEN SUMMARY

Zone	Lumens	% Fixture
0 - 40°	646	91.2
0 - 60°	697	98.3
0 - 90°	709	100.0
90 - 180°	0	0.0

LUMINAIRE LIGHT OUTPUT AND EFFICACY

LED Light Engine	Luminaire Light Output	Luminaire Efficacy (lms/watt)	System Wattage	RX Light Output (90 min. run)
800 Lumens 90 CRI	595*	66*	9	390*
1000 Lumens 90 CRI	709	70	10	390*
1000 Lumens 80 CRI	737*	82*	9	475*
1200 Lumens 80 CRI	879*	88*	10	475*

*estimated values

PHOTOMETRIC REPORT with 60° lens (tested per IESNA LM-79-2008)

UL Verification Services Report No. 11863545.04. Original test report furnished upon request.

Luminaire recessed LED round downlight with plate trim and prismatic lens
 Light Source Cree CXB1310 LED with 60° beam spread integral lens, 2700K CCT, 90 CRI, 1000 lumens
 Spacing Criteria 1.0

CANDLEPOWER DISTRIBUTION (Candela)

Vertical Angle	Horizontal Angle	
	0	
0	771	
5	779	
15	773	
25	536	
35	203	
45	59	
55	20	
65	7	
75	2	
85	0	
90	0	

LUMINANCE DATA

Vertical Angle	Candela/m ²
45	18420
55	7513
65	3712
75	1957
85	1029

ZONAL LUMEN SUMMARY

Zone	Lumens	% Fixture
0 - 40°	661	89.6
0 - 60°	728	98.6
0 - 90°	738	100.0
90 - 180°	0	0.0

LUMINAIRE LIGHT OUTPUT AND EFFICACY

LED Light Engine	Luminaire Light Output	Luminaire Efficacy (lms/watt)	System Wattage	RX Light Output (90 min. run)
800 Lumens 90 CRI	620*	69*	9	406*
1000 Lumens 90 CRI	738	73	10	406*
1000 Lumens 80 CRI	767*	85*	9	494*
1200 Lumens 80 CRI	915*	91*	10	494*

*estimated values

STANDARD DMV DRIVER INFORMATION (UL Class 2, dry and damp location)

Voltage	120	277
Input Watts (I08H/L10H/L10S/L12S)	9/10/9/10	9/10/9/10
Input Current (A) (I08H/L10H/L10S/L12S)	08/08/08/08	04/04/04/04
Output Current (mA)	350-700	350-700
Min. Power Factor	.99	.99
Operating Temperature Range (F)	-13 to 122	-13 to 122

LIGHT OUTPUT MULTIPLIER

LED Light Engine	Light Output Multiplier	RX Light Output Multiplier
800 Lumens 90 CRI	0.84*	.55
1000 Lumens 90 CRI	1	.55
1000 Lumens 80 CRI	1.04*	.67
1200 Lumens 80 CRI	1.24*	.67

*estimated values

REFLECTOR COLOR MULTIPLIERS

Slightly diffuse clear (V)	1
Fully diffuse clear (EC)	.90
Champagne gold clear (G)	1
Specular white (W)	.70
Black (B)	.40