

# EPIC WAFER/2 AA

recessed shallow IC LED accent light



MADE IN USA

[Click here!](#)

FULLY SUSTAINABLE – FULLY SUSTAINABLE – FULLY SUSTAINABLE – FULLY SUSTAINABLE – FULLY SUSTAINABLE – FULLY SUSTAINABLE – FULLY SUSTAINABLE



slot aperture shown

## FEATURES

- **EPIC WAFER/2 AA is a 2" aperture LED accent light** designed for insulation contact (IC) and certified airtight under ASTM E283. **Recess depth is only 4 1/8".**
- **Luminaire provides 365° rotation and 0°-30° angular adjustment.** Once focused, adjustment may be locked by a lever and a thumb nut.
- **Luminaire employs an internal spring-loaded lens** to produce an initial beamspread of either 12°, 20° or 36°. To allow beamspread to be changed in installed luminaires, internal lenses are available as accessories.
- **Luminaire is powered by one of a number of Cree Chip on board LED's.** See below for wattages and efficacies.
- Luminaire is available with **four kinds of LightPlate trim**:
  - with a slot aperture and no lens (- AL)
  - with a slot aperture and prismatic lens (- AL-PRS)
  - with a round aperture and no lens (- AP)
  - with a round aperture and prismatic lens (- AP-PRS)
- **LightPlate trim with white finish** standard. Custom color finish available on special order.
- **EPIC WAFER/2 AA includes a pair of residential mounting bars extendable to 20"** and designed for use in wood joists.
- **For more information, [click here.](#)**

## APPLICATIONS

Luminaire is listed for direct contact with insulation, certified airtight under ASTM E283, and suitable for damp location. Luminaire is prewired, suitable for use in a fire rated ceiling, and approved for #12 wire 75° C branch circuit wiring. Removal of the external LightPlate allows access to the LED module and junction box.



round aperture shown

## PRODUCT CODE

For complete product code, list basic unit and select one item from each following box.

**Basic Unit** ..... W2IC-CLT-AA

**Internal Lens** *Choose one.*

12° initial beamspread ..... - 12D  
 20° initial beamspread ..... - 20D  
 36° initial beamspread ..... - 36D

**Light Source Output (Lumens)**

800 lumens / CRI 90+ ..... 2700K & 3000K only ..... - L08H  
 1000 lumens ..... 2700K & 3000K only ..... - L10H  
 1000 lumens / CRI 80+ ..... - L10S  
 1200 lumens ..... - L12S

**Driver**

dimmable to 1% by a 0-10V dimmer on 120 Or 277-volt service ..... - DMV  
 dimmable to 5% by either an incandescent or electronic low voltage dimmer only; 120-volt service only ..... - DMP  
 dimmable to 1% by a Lutron (2-wire) incandescent dimmer ..... - DMI-LU  
 dimmable to 1% by a Lutron EcoSystem control ..... - ECO-LU  
 eldoLED 0-10V (Logarithmic) driver dimmable to 0.1% with a 0-10V dimmer ..... - DVOELG  
 eldoLED 0-10V (Linear) driver dimmable to 0.1% with a 0-10V dimmer ..... - DVOELN  
 eldoLED driver dimmable to 0.1% with DALI control system ..... - DA0-EL

**Light Color**

2700 K ..... - 27K  
 3000 K ..... - 30K  
 3500 K ..... - 35K  
 4000 K ..... - 40K

**LightPlate**

	<i>Overlap (OL)</i>	<i>Trim Flush (TF)*</i>
slot aperture, no lens .....	AL-OL .....	AL-TF
slot aperture with prismatic lens .....	AL-PRS-OL .....	AL-PRS-TF
round aperture, no lens .....	AP-OL .....	AP-TF
round aperture with prismatic lens .....	AP-PRS-OL .....	AP-PRS-TF

Standard LightPlate white finish. Add - CC for custom color.

\*Trim Flush LightPlate requires the use of a **plaster ring** Accessory (see below).

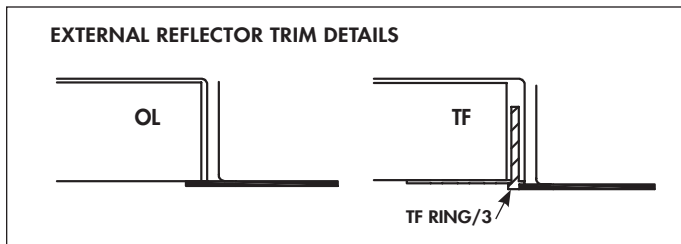
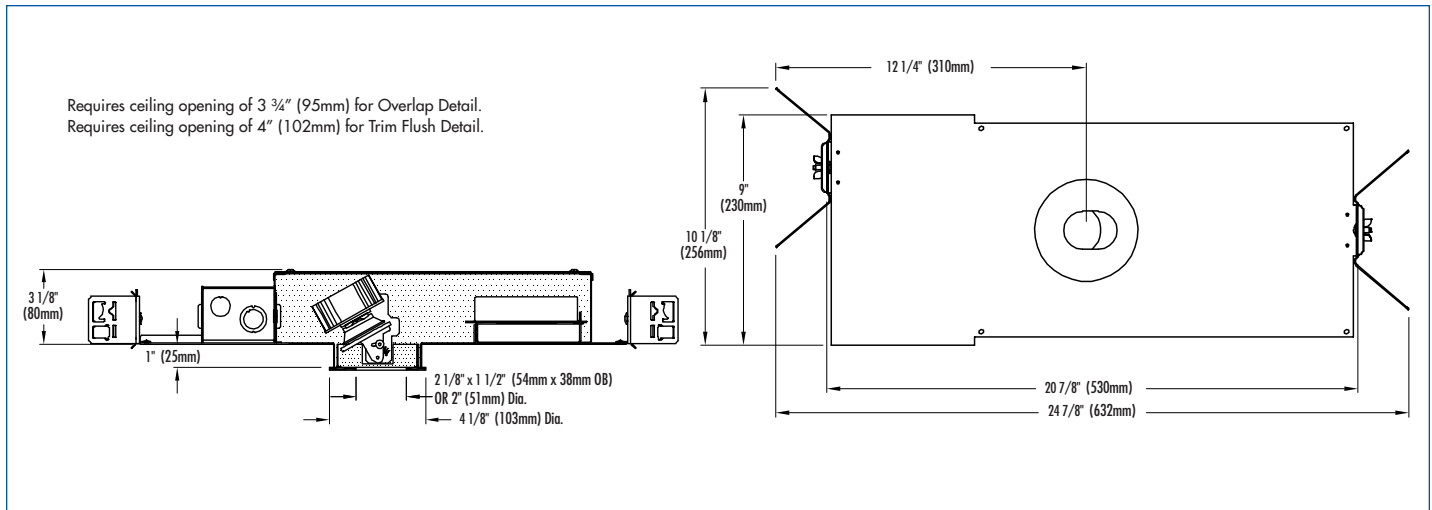
## EXTRA INTERNAL LENSES *Specify as separate line items.*

12° internal lens ..... CLT-LENS12-50  
 20° internal lens ..... CLT-LENS20-50  
 36° internal lens ..... CLT-LENS36-50

## ACCESSORIES *Specify as a separate line item.*

**Plaster ring** allows use of 3 3/4" OD Trim Flush (-TF)  
 reflector in sheetrock ceiling; 4" dia hole required ..... TF RING/3





**STANDARD DMV DRIVER INFORMATION** (UL Class 2, dry and damp location)

Voltage	120	277
Input Watts (L08H/L10H/L10S/L12S)	9/10/9/10	9/10/9/10
Input Current (A) (L08H/L10H/L10S/L12S)	08/08/08/08	04/04/04/04
Output Current (mA)	350-700	350-700
Min. Power Factor	.99	.99
Operating Temperature Range (F)	-13 to 122	-13 to 122

**LIGHT OUTPUT MULTIPLIER**

LED Light Engine	Light Output Multiplier	RX Light Output Multiplier
800 Lumens 90 CRI	0.84*	.55
1000 Lumens 90 CRI	1	.55
1000 Lumens 80 CRI	1.04*	.67
1200 Lumens 80 CRI	1.24*	.67

\*estimated values

**REFLECTOR COLOR MULTIPLIERS**

Slightly diffuse clear (V)	1
Fully diffuse clear (EC)	.90
Champagne gold clear (G)	1
Specular white (W)	.70
Black (B)	.40

– photometrics continued below –

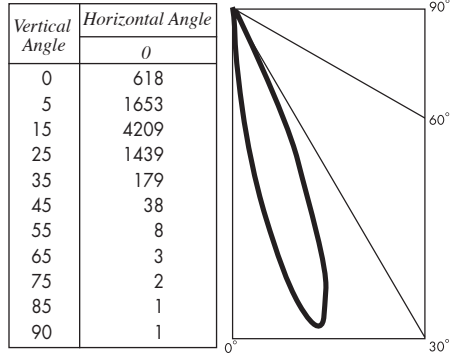


## PHOTOMETRIC REPORT with 12° lens (tested per IESNA LM-79-2008)

Verification Services Report No. 11863545.01. Original test report furnished upon request.

Luminaire ..... recessed LED round accent light with slot aperture plate trim and prismatic lens, LED aimed at 15° above vertical.  
 Light Source ..... Cree CXB1310 LED with 12° beam spread integral lens, 2700K CCT, 90 CRI, 1000 lumens

### CANDLEPOWER DISTRIBUTION (Candela)



### LUMINAIRE LIGHT OUTPUT AND EFFICACY

LED Light Engine	Luminaire Light Output	Luminaire CBCP	Luminaire Efficacy (lms/watt)	System Wattage	RX Light Output (90 min. run)
800 Lumens 90 CRI	404*	3536*	45*	9	264*
1000 Lumens 90 CRI	481	4209	47	10	264*
1000 Lumens 80 CRI	500*	4377*	56*	9	322*
1200 Lumens 80 CRI	596*	5219*	60*	10	322*

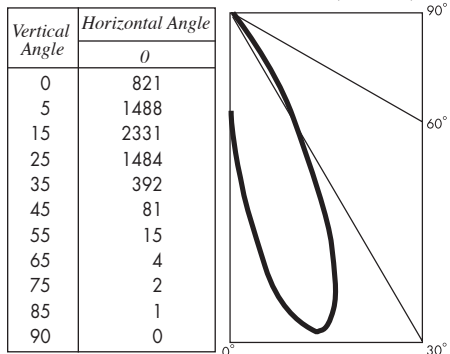
\*estimated values

## PHOTOMETRIC REPORT with 20° lens (tested per IESNA LM-79-2008)

Verification Services Report No. 11863545.02. Original test report furnished upon request.

Luminaire ..... recessed LED round accent light with slot aperture plate trim and prismatic lens, LED aimed at 15° above vertical.  
 Light Source ..... Cree CXB1310 LED with 20° beam spread integral lens, 2700K CCT, 90 CRI, 1000 lumens

### CANDLEPOWER DISTRIBUTION (Candela)



### LUMINAIRE LIGHT OUTPUT AND EFFICACY

LED Light Engine	Luminaire Light Output	Luminaire CBCP	Luminaire Efficacy (lms/watt)	System Wattage	RX Light Output (90 min. run)
800 Lumens 90 CRI	430*	1958*	48*	9	281*
1000 Lumens 90 CRI	512	2331	50	10	281*
1000 Lumens 80 CRI	532*	2424*	59*	9	343*
1200 Lumens 80 CRI	634*	2890*	63*	10	343*

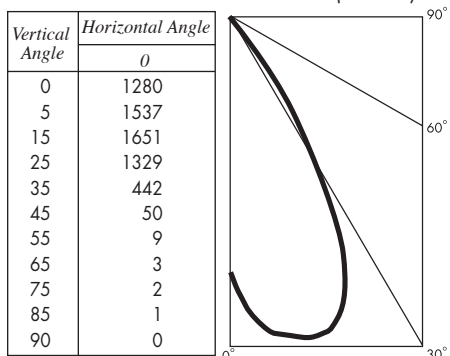
\*estimated values

## PHOTOMETRIC REPORT with 36° lens (tested per IESNA LM-79-2008)

Verification Services Report No. 11863545.03. Original test report furnished upon request.

Luminaire ..... recessed LED round accent light with slot aperture plate trim and prismatic lens, LED aimed at 15° above vertical.  
 Light Source ..... Cree CXB1310 LED with 36° beam spread integral lens, 2700K CCT, 90 CRI, 1000 lumens

### CANDLEPOWER DISTRIBUTION (Candela)



### LUMINAIRE LIGHT OUTPUT AND EFFICACY

LED Light Engine	Luminaire Light Output	Luminaire CBCP	Luminaire Efficacy (lms/watt)	System Wattage	RX Light Output (90 min. run)
800 Lumens 90 CRI	476*	1387*	53*	9	312*
1000 Lumens 90 CRI	567	1651	55	10	312*
1000 Lumens 80 CRI	590*	1717*	66*	9	380*
1200 Lumens 80 CRI	703*	2047*	70*	10	380*

\*estimated values