

Project

Date Product Code

Type

Designer



EPIC WAFER/2 AA

recessed shallow IC LED accent light

FULLY SUSTAINABLE - FULLY SUSTAINABLE - FULLY SUSTAINABLE - FULLY SUSTAINABLE - FULLY SUSTAINABLE - FULLY SUSTAINABLE - FULLY SUSTAINABLE



slot aperture shown

FEATURES

- **EPIC WAFER/2 AA is a 2" aperture LED accent light** designed for insulation contact (IC) and certified airtight under ASTM E283. **Recess depth is only 4 1/8".**
- **Luminaire provides 365° rotation and 0°-30° angular adjustment.** Once focused, adjustment may be locked by a lever and a thumb nut.
- **Luminaire employs an internal spring-loaded lens** to produce an initial beam-spread of either 12°, 20° or 36°. To allow beamspread to be changed in installed luminaires, internal lenses are available as accessories.
- **Luminaire is powered by one of a number of Cree Chip on board LED's.** See below for wattages and efficacies.
- Luminaire is available with **four kinds of LightPlate trim:**
 - with a slot aperture and no lens (- AL)
 - with a slot aperture and **prismatic lens** (- AL-PRS)
 - with a round aperture and no lens (- AP)
 - with a round aperture and **prismatic lens** (- AP-PRS)
- **LightPlate trim with white finish** standard. Custom color finish available on special order.
- **EPIC WAFER/2 AA includes a pair of residential mounting bars extendable to 20"** and designed for use in wood joists.
- For more information, [click here](#).

APPLICATIONS

Luminaire is listed for direct contact with insulation, certified airtight under ASTM E283, and suitable for damp location. Luminaire is prewired, suitable for use in a fire rated ceiling, and approved for #12 wire 75° C branch circuit wiring. Removal of the external LightPlate allows access to the LED module and junction box.



round aperture shown

PRODUCT CODE

For complete product code, list basic unit and select one item from each following box.

Basic Unit W2IC-CLT-AA

Internal Lens Choose one.

12° initial beamspread - 12D
 20° initial beamspread - 20D
 36° initial beamspread - 36D

Light Source Output (Lumens)

800 lumens / CRI 90+ 2700K & 3000K only - L08H
 1000 lumens 2700K & 3000K only - L10H
 1000 lumens / CRI 80+ - L10S
 1200 lumens - L12S

Driver

dimmable to 1% by a 0-10V dimmer on 120 Or 277-volt service - DMV
 dimmable to 5% by either an incandescent or electronic low voltage dimmer only; 120-volt service only - DMP
 dimmable to 1% by a 2-wire Lutron compatible dimmer - DMI-LU
 dimmable to 1% SoftOn/FadeToBlack by a Lutron EcoSystem control - ECO-LU
 eldoLED 0-10V (Logarithmic) driver dimmable to 0.1% with a 0-10V dimmer - DVOELG
 eldoLED 0-10V (Linear) driver dimmable to 0.1% with a 0-10V dimmer - DVOELN
 eldoLED driver dimmable to 0.1% with DALI control system - DAO-EL

Light Color

2700 K - 27K
 3000 K - 30K
 3500 K - 35K
 4000 K - 40K

LightPlate	Overlap (OL)	Trim Flush (TF)*
slot aperture, no lens	AL-OL	AL-TF
slot aperture with prismatic lens	AL-PRS-OL	AL-PRS-TF
round aperture, no lens	AP-OL	AP-TF
round aperture with prismatic lens	AP-PRS-OL	AP-PRS-TF

Standard LightPlate white finish. Add - CC for custom color.

*Trim Flush LightPlate requires the use of a **plaster ring** Accessory (see below).

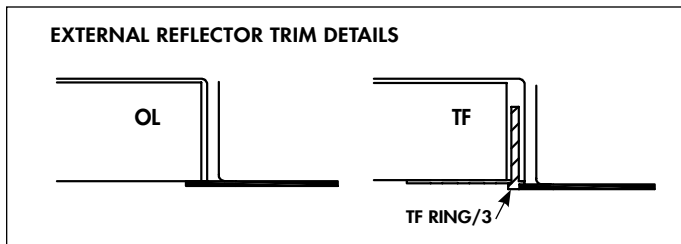
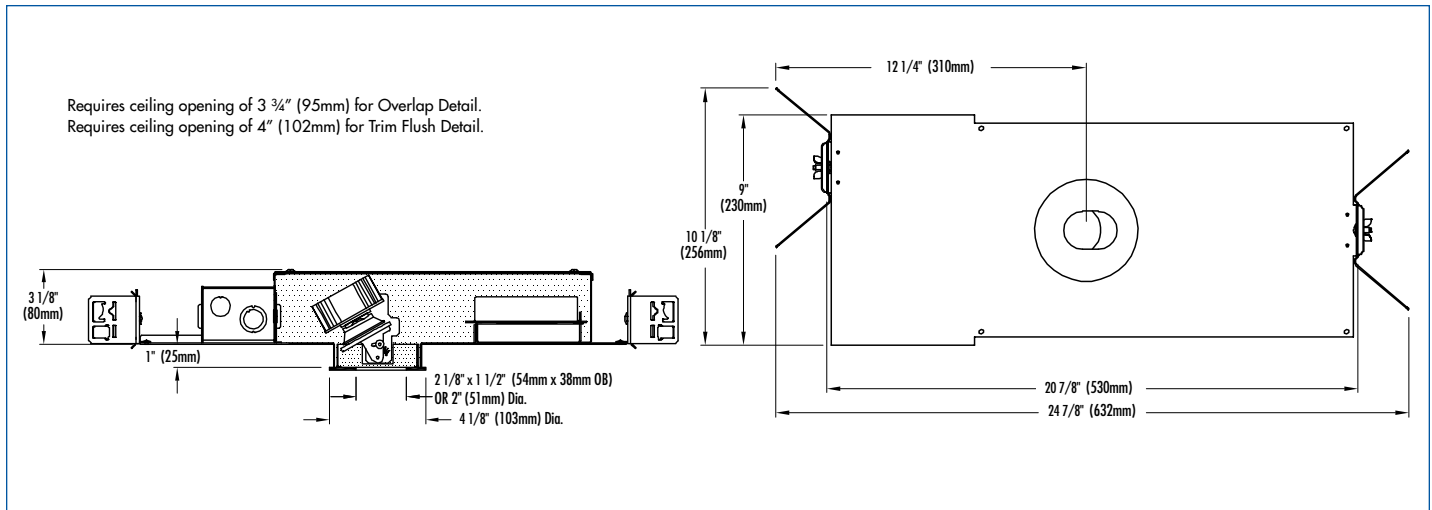
EXTRA INTERNAL LENSES Specify as separate line items.

12° internal lens CIT-LENS12-50
 20° internal lens CIT-LENS20-50
 36° internal lens CIT-LENS36-50

ACCESSORIES Specify as a separate line item.

Plaster ring allows use of 3 3/4" OD Trim Flush (TF) reflector in sheetrock ceiling; 4" dia hole required TF RING/3





STANDARD DMV DRIVER INFORMATION (UL Class 2, dry and damp location)

Voltage	120	277
Input Watts (L08H/L10H/L10S/L12S)	9/10/9/10	9/10/9/10
Input Current (A) (L08H/L10H/L10S/L12S)	08/08/08/08	04/04/04/04
Output Current (mA)	350-700	350-700
Min. Power Factor	.99	.99
Operating Temperature Range (F)	-13 to 122	-13 to 122

LIGHT OUTPUT MULTIPLIER

LED Light Engine	Light Output Multiplier	RX Light Output Multiplier
800 Lumens 90 CRI	0.84*	.55
1000 Lumens 90 CRI	1	.55
1000 Lumens 80 CRI	1.04*	.67
1200 Lumens 80 CRI	1.24*	.67

*estimated values

REFLECTOR COLOR MULTIPLIERS

Slightly diffuse clear (V)	1
Fully diffuse clear (EC)	.90
Champagne gold clear (G)	1
Specular white (W)	.70
Black (B)	.40

– photometrics continued below –

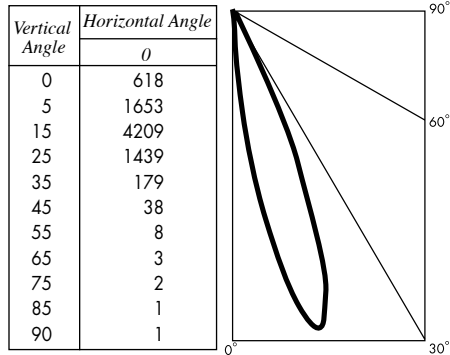


PHOTOMETRIC REPORT with 12° lens (tested per IESNA LM-79-2008)

Verification Services Report No. 11863545.01. Original test report furnished upon request.

Luminaire recessed LED round accent light with slot aperture plate trim and prismatic lens, LED aimed at 15° above vertical.
 Light Source Cree CXB1310 LED with 12° beam spread integral lens, 2700K CCT, 90 CRI, 1000 lumens

CANDLEPOWER DISTRIBUTION (Candela)



LUMINAIRE LIGHT OUTPUT AND EFFICACY

LED Light Engine	Luminaire Light Output	Luminaire CBCP	Luminaire Efficacy (lms/watt)	System Wattage	RX Light Output (90 min. run)
800 Lumens 90 CRI	404*	3536*	45*	9	264*
1000 Lumens 90 CRI	481	4209	47	10	264*
1000 Lumens 80 CRI	500*	4377*	56*	9	322*
1200 Lumens 80 CRI	596*	5219*	60*	10	322*

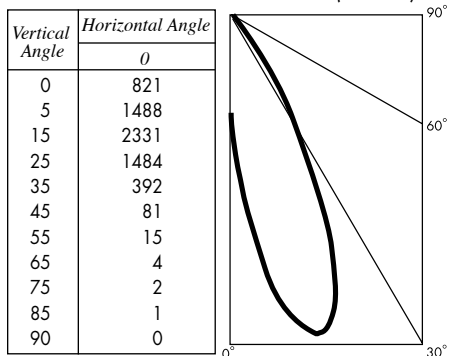
*estimated values

PHOTOMETRIC REPORT with 20° lens (tested per IESNA LM-79-2008)

Verification Services Report No. 11863545.02. Original test report furnished upon request.

Luminaire recessed LED round accent light with slot aperture plate trim and prismatic lens, LED aimed at 15° above vertical.
 Light Source Cree CXB1310 LED with 20° beam spread integral lens, 2700K CCT, 90 CRI, 1000 lumens

CANDLEPOWER DISTRIBUTION (Candela)



LUMINAIRE LIGHT OUTPUT AND EFFICACY

LED Light Engine	Luminaire Light Output	Luminaire CBCP	Luminaire Efficacy (lms/watt)	System Wattage	RX Light Output (90 min. run)
800 Lumens 90 CRI	430*	1958*	48*	9	281*
1000 Lumens 90 CRI	512	2331	50	10	281*
1000 Lumens 80 CRI	532*	2424*	59*	9	343*
1200 Lumens 80 CRI	634*	2890*	63*	10	343*

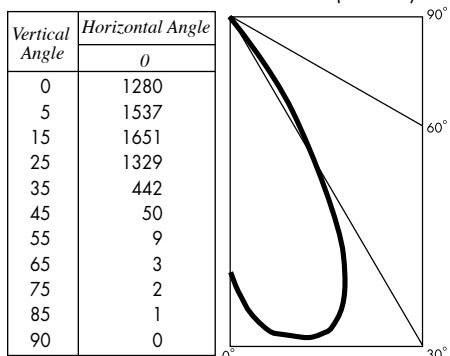
*estimated values

PHOTOMETRIC REPORT with 36° lens (tested per IESNA LM-79-2008)

Verification Services Report No. 11863545.03. Original test report furnished upon request.

Luminaire recessed LED round accent light with slot aperture plate trim and prismatic lens, LED aimed at 15° above vertical.
 Light Source Cree CXB1310 LED with 36° beam spread integral lens, 2700K CCT, 90 CRI, 1000 lumens

CANDLEPOWER DISTRIBUTION (Candela)



LUMINAIRE LIGHT OUTPUT AND EFFICACY

LED Light Engine	Luminaire Light Output	Luminaire CBCP	Luminaire Efficacy (lms/watt)	System Wattage	RX Light Output (90 min. run)
800 Lumens 90 CRI	476*	1387*	53*	9	312*
1000 Lumens 90 CRI	567	1651	55	10	312*
1000 Lumens 80 CRI	590*	1717*	66*	9	380*
1200 Lumens 80 CRI	703*	2047*	70*	10	380*

*estimated values