

Project

Date Product Code

Type

Designer



# EPIC WAFER/3 DL

recessed shallow IC LED downlight

FULLY SUSTAINABLE – FULLY SUSTAINABLE – FULLY SUSTAINABLE – FULLY SUSTAINABLE – FULLY SUSTAINABLE – FULLY SUSTAINABLE – FULLY SUSTAINABLE



## FEATURES

- **EPIC WAFER/3 DL is a 3" aperture LED downlight** designed for insulation contact (IC) and certified airtight under ASTM E283. **Recess depth is only 4 1/8"**.
- **Luminaire employs an internal 'twist and lock' lens** to produce an initial beam-spread of either 32° or 60°. To allow beam-spread to be changed in installed luminaires, internal lenses are available as accessories.
- **Luminaire may be ordered standard (- DL) for maximum efficacy and spacing ratio - or - with a plastic diffuser (- DG),** mounted atop reflector, to maximize beam uniformity and obscure appearance of LED.
- **Luminaire is powered by one of a number of Cree Chip on board LED's.** See below for wattages and efficacies.
- **External reflectors are available in three clear natural aluminum colors** – semi-specular (C), slightly diffuse (V) or fully diffuse (EC) – as well as champagne gold, black Alzak® and specular white enamel. Other finishes are available on special order.
- **EPIC WAFER/3 DL includes a pair of residential mounting bars extendable to 20"** and designed for use in wood joists.
- **For more information, [click here](#).**

## APPLICATIONS

Luminaire is listed for direct contact with insulation, certified airtight under ASTM E283, and suitable for damp location. Luminaire is prewired, suitable for use in a fire rated ceiling, and approved for #12 wire 75° C branch circuit wiring. Removal of the external reflector allows access to the LED module and junction box.



### ENERGY STAR

Energy Star qualified under Luminaires Specification V2.0. See Energy Star website for model numbers included in listing. On orders which require Energy Star labelling, add "-ESL" to the specified Product Code.

## PRODUCT CODE

For complete product code, list basic unit and select one item from each following box.

<b>Basic Unit</b>	
no diffuser .....	W3IC-CLT-DL
with diffuser .....	W3IC-CLT-DG

<b>Internal Lens Choose one.</b>	
32° initial beamspread .....	32D
60° initial beamspread .....	60D

<b>Light Source Output (Lumens)</b>	
800 lumens / CRI 90+ .....	2700K & 3000K only ..... - L08H
1000 lumens .....	2700K & 3000K only ..... - L10H
1000 lumens / CRI 80+ .....	..... - L10S
1200 lumens .....	..... - L12S

<b>Driver</b>	
dimmable to 1% by a 0-10V dimmer on 120 Or 277-volt service .....	DMV
dimmable to 5% by either an incandescent or electronic low voltage dimmer only; 120-volt service only .....	DMP
dimmable to 1% by a 2-wire Lutron compatible dimmer .....	DMHU
dimmable to 1% SoftOn/FadeToBlack by a Lutron EcoSystem control ....	ECO-LU
eldoLED 0-10V (Logarithmic) driver dimmable to 0.1% with a 0-10V dimmer .....	DVOELG
eldoLED 0-10V (Linear) driver dimmable to 0.1% with a 0-10V dimmer .....	DVOELN
eldoLED driver dimmable to 0.1% with DALI control system .....	DA0-EL

<b>Light Color</b>	
2700 K.....	27K
3000 K.....	30K
3500 K.....	35K
4000 K.....	40K

External Reflector Color & Trim	DL Model (no diffuser)		DG Model (with diffuser)	
	Overlap	Trim Flush*	Overlap	Trim Flush*
Semi-specular Clear	DL-COL	DL-CTF	DG-COL	DG-CTF
Slightly diffuse Clear	DL-VOL	DL-VTF	DG-VOL	DG-VTF
Fully diffuse Clear	DL-ECOL	DL-ECTF	DG-ECOL	DG-ECTF
Champagne Gold	DL-GOL	DL-GTF	DG-GOL	DG-GTF
Black	DL-BOL	DL-BTF	DG-BOL	DG-BTF
White	DL-WOL	DL-WTF	DG-WOL	DG-WTF

Standard reflector flange continues reflector finish. White painted flanges and custom painted flanges are available on special order. Add WF (white flange) or CCF (custom color flange).  
\*Trim Flush reflector trim requires the use of a **plaster ring** Accessory (see below).

## EXTRA INTERNAL LENSES Specify as separate line items.

32° internal lens .....	CLT-LENS32-70
60° internal lens .....	CLT-LENS60-70

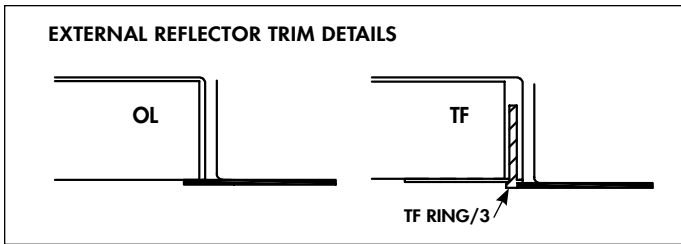
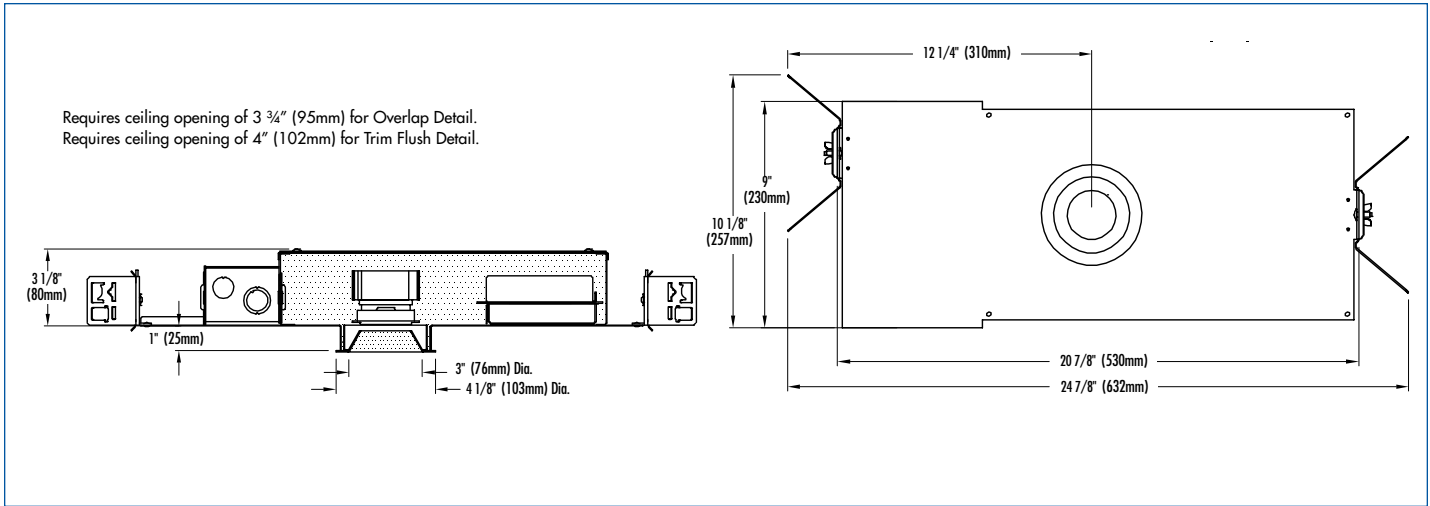
## ACCESSORIES Specify as a separate line item.

<b>Plaster ring</b> allows use of 3 3/4" OD Trim Flush (-TF) reflector in sheetrock ceiling; 4" dia hole required.....	TF RING/3
--	-----------

## OPTIONS Specify by adding to the basic unit.

<b>Energy Star labelling</b> available on some models; see the Energy Star info 'box' on this page .....	- ESL
--	-------





– see below for photometric reports –

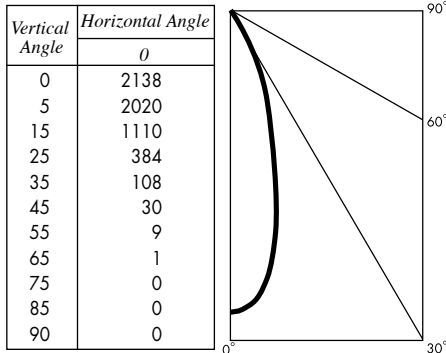


## PHOTOMETRIC REPORT with 32° lens (tested per IESNA LM-79-2008)

**UL** Verification Services Report No. 11863545.12. Original test report furnished upon request.

Luminaire ..... recessed LED round downlight with semi-specular clear aluminum reflector (NO DIFFUSER)  
 Light Source ..... Cree CXB1310 LED with 32° beam spread integral lens, 2700K CCT, 90 CRI, 1000 lumens  
 Spacing Criteria ..... 0.5

### CANDLEPOWER DISTRIBUTION (Candela)



### LUMINANCE DATA

Vertical Angle	Candelalm <sup>2</sup>
45	9282
55	3451
65	727
75	93
85	106

### ZONAL LUMEN SUMMARY

Zone	Lumens	% Fixture
0 - 40°	734	95.5
0 - 60°	767	99.8
0 - 90°	769	100.0
90 - 180°	0	0.0

### LUMINAIRE LIGHT OUTPUT AND EFFICACY

LED Light Engine	Luminaire Light Output	Luminaire Efficacy (lms/watt)	System Wattage	RX Light Output (90 min. run)
800 Lumens 90 CRI	646*	72*	9	423*
1000 Lumens 90 CRI	769	72	10	423*
1000 Lumens 80 CRI	799*	89*	9	515*
1200 Lumens 80 CRI	953*	95*	10	515*

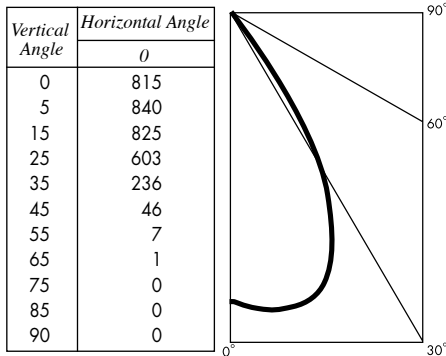
\*estimated values

## PHOTOMETRIC REPORT with 60° lens (tested per IESNA LM-79-2008)

**UL** Verification Services Report No. 11863545.11. Original test report furnished upon request.

Luminaire ..... recessed LED round downlight with semi-specular clear aluminum reflector (NO DIFFUSER)  
 Light Source ..... Cree CXB1310 LED with 60° beam spread integral lens, 2700K CCT, 90 CRI, 1000 lumens  
 Spacing Criteria ..... 1.0

### CANDLEPOWER DISTRIBUTION (Candela)



### LUMINANCE DATA

Vertical Angle	Candelalm <sup>2</sup>
45	14370
55	2524
65	465
75	31
85	48

### ZONAL LUMEN SUMMARY

Zone	Lumens	% Fixture
0 - 40°	732	93.8
0 - 60°	779	99.9
0 - 90°	780	100.0
90 - 180°	0	0.0

### LUMINAIRE LIGHT OUTPUT AND EFFICACY

LED Light Engine	Luminaire Light Output	Luminaire Efficacy (lms/watt)	System Wattage	RX Light Output (90 min. run)
800 Lumens 90 CRI	655*	73*	9	429*
1000 Lumens 90 CRI	780	72	10	429*
1000 Lumens 80 CRI	811*	90*	9	522*
1200 Lumens 80 CRI	967*	97*	10	522*

\*estimated values

## STANDARD DMV DRIVER INFORMATION (UL Class 2, dry and damp location)

Voltage	120	277
Input Watts (I08H/L10H/L10S/L12S)	9/10/9/10	9/10/9/10
Input Current (A) (I08H/L10H/L10S/L12S)	08/08/08/08	04/04/04/04
Output Current (mA)	350-700	350-700
Min. Power Factor	.99	.99
Operating Temperature Range (F)	-13 to 122	-13 to 122

## LIGHT OUTPUT MULTIPLIER

LED Light Engine	Light Output Multiplier	RX Light Output Multiplier
800 Lumens 90 CRI	0.84*	.55
1000 Lumens 90 CRI	1	.55
1000 Lumens 80 CRI	1.04*	.67
1200 Lumens 80 CRI	1.24*	.67

\*estimated values

## REFLECTOR COLOR MULTIPLIERS

Slightly diffuse clear (V)	1
Fully diffuse clear (EC)	.90
Champagne gold clear (G)	1
Specular white (W)	.70
Black (B)	.40