

Project

Date

Product Code

Type

Designer



EPIC WAFER/3 DL

recessed IC LED downlight

SHALLOW - SHALLOW - SHALLOW - SHALLOW - SHALLOW - SHALLOW - SHALLOW



FEATURES

- **EPIC WAFER/3 DL is a 3" aperture LED downlight** designed for insulation contact (IC) and certified airtight under ASTM E283. **Recess depth is only 4 1/8"**.
- **Luminaire is powered by one of a number of Cree Chip on board LEDs.** See below for wattages and efficacies.
- **Luminaire employs an internal 'twist and lock' lens** to produce an initial beamspread of either 32° or 60°. To allow beamspread to be changed in installed luminaires, internal lenses are available as accessories.
- **Luminaire may be ordered standard (- DL) for maximum efficacy and spacing ratio - or - with a plastic diffuser (- DG),** mounted atop reflector, to maximize beam uniformity and obscure appearance of LED.
- **Housing is constructed from 20-gauge electro-zinc, polyester-coated steel** in Edison Price Lighting's American factory. Heavy-gauge metals, an additional protective coating, and American manufacturing guarantees long-lasting durability.
- **External reflectors are available in three clear natural aluminum colors** – semi-specular (C), slightly diffuse (V) or fully diffuse (EC) – as well as champagne gold, black Alzak® and specular white enamel. Other finishes are available on special order.
- **EPIC WAFER/3 DL includes a pair of residential mounting bars extendable to 20"** and designed for use in wood joists.
- **For more information, [click here](#).**

APPLICATIONS

Luminaire is listed for direct contact with insulation, certified airtight under ASTM E283, and suitable for damp location. Luminaire is prewired, suitable for use in a fire rated ceiling, and approved for #12 wire 75° C branch circuit wiring. Removal of the external reflector allows access to the LED module and junction box.



ENERGY STAR

Energy Star qualified under Luminaires Specification V2.0. See Energy Star website for model numbers included in listing. On orders which require Energy Star labelling, add "-ESL" to the specified Product Code.

Standard recessed round aperture, see [WAFER/3 DL](#)

Standard recessed square aperture, see [WAFER SQUARE/3 DL](#)

IC-rated square aperture, see [EPIC WAFER SQUARE/3 DL](#)

PRODUCT CODE

For complete product code, list basic unit and select one item from each following box.

Basic Unit	
no diffuser	W3IC-CLT-DL
with diffuser	W3IC-CLT-DG

Internal Lens Choose one.	
32° initial beamspread	32D
60° initial beamspread	60D

Light Source Output (Lumens)	
800 lumens / CRI 90+	2700K & 3000K only - L08H
1000 lumens	2700K & 3000K only - L10H
1000 lumens / CRI 80+	- L10S
1200 lumens	- L12S

Driver	
dimmable to 1% by a 0-10V dimmer on 120 Or 277-volt service	DMV
dimmable to 5% by either an incandescent or electronic low voltage dimmer only; 120-volt service only	DMP
dimmable to 1% by a 2-wire Lutron compatible dimmer	DMHU
dimmable to 1% SoftOn/FadeToBlack by a Lutron EcoSystem control	ECO-LU
eldoLED 0-10V (Logarithmic) driver dimmable to 0.1% with a 0-10V dimmer	DVOELG
eldoLED 0-10V (Linear) driver dimmable to 0.1% with a 0-10V dimmer	DVOELN
eldoLED driver dimmable to 0.1% with DALI control system	DA0-EL

Light Color	
2700 K	27K
3000 K	30K
3500 K	35K
4000 K	40K

External Reflector Color & Trim	DL Model (no diffuser)		DG Model (with diffuser)	
	Overlap	Trim Flush*	Overlap	Trim Flush*
Semi-specular Clear	DL-COL	DL-CTF	DG-COL	DG-CTF
Slightly diffuse Clear	DL-VOL	DL-VTF	DG-VOL	DG-VTF
Fully diffuse Clear	DL-ECOL	DL-ECTF	DG-ECOL	DG-ECTF
Champagne Gold	DL-GOL	DL-GTF	DG-GOL	DG-GTF
Black	DL-BOL	DL-BTF	DG-BOL	DG-BTF
White	DL-WOL	DL-WTF	DG-WOL	DG-WTF

Standard reflector flange continues reflector finish. White painted flanges and custom painted flanges are available on special order. Add WF (white flange) or CCF (custom color flange).
*Trim Flush reflector trim requires the use of a **plaster ring** Accessory (see below).

EXTRA INTERNAL LENSES Specify as separate line items.

32° internal lens	CLT-LENS32-70
60° internal lens	CLT-LENS60-70

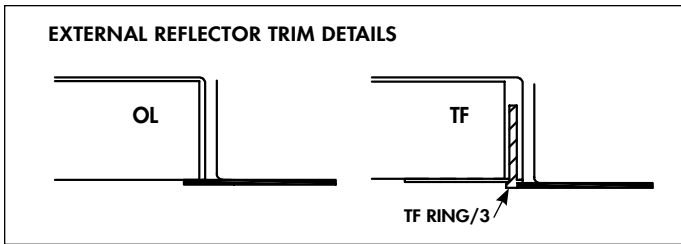
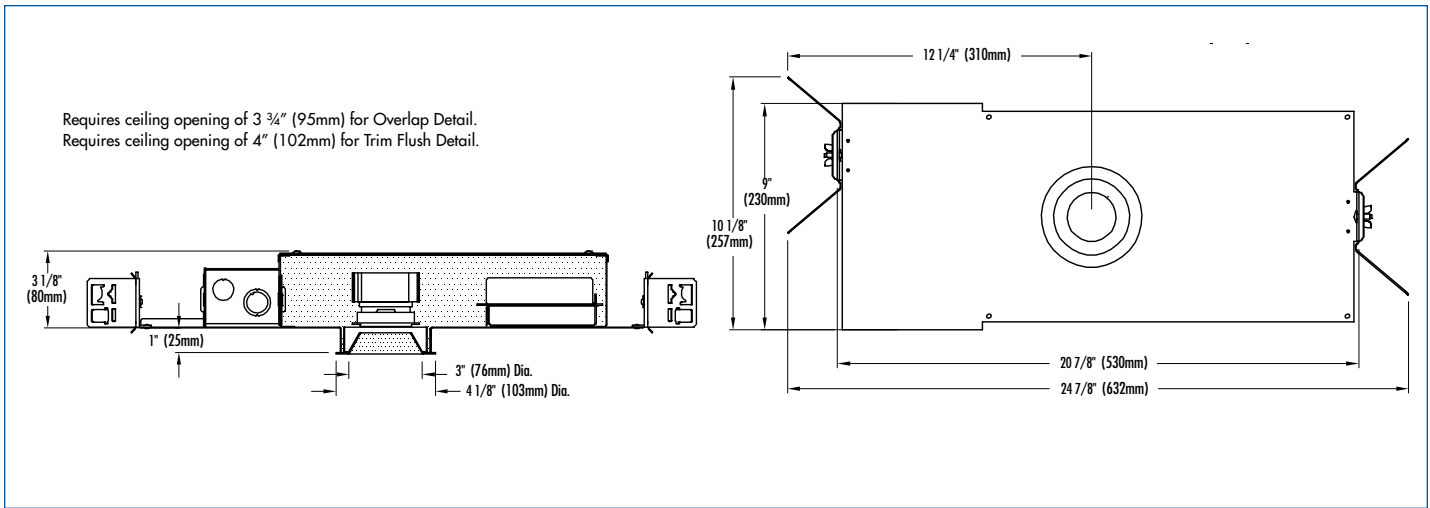
ACCESSORIES Specify as a separate line item.

Plaster ring allows use of 3 3/4" OD Trim Flush (-TF) reflector in sheetrock ceiling; 4" dia hole required.....	TF RING/3
--	-----------

OPTIONS Specify by adding to the basic unit.

Energy Star labelling available on some models; see the Energy Star info 'box' on this page	- ESL
--	-------





– see below for photometric reports –

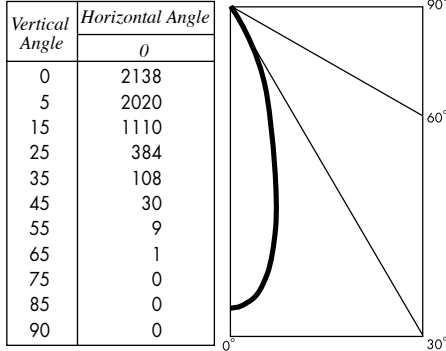


PHOTOMETRIC REPORT with 32° lens (tested per IESNA LM-79-2008)

UL Verification Services Report No. 11863545.12. Original test report furnished upon request.

Luminaire recessed LED round downlight with semi-specular clear aluminum reflector (NO DIFFUSER)
 Light Source Cree CXB1310 LED with 32° beam spread integral lens, 2700K CCT, 90 CRI, 1000 lumens
 Spacing Criteria 0.5

CANDLEPOWER DISTRIBUTION (Candela)



LUMINANCE DATA

Vertical Angle	Candelalm ²
45	9282
55	3451
65	727
75	93
85	106

ZONAL LUMEN SUMMARY

Zone	Lumens	% Fixture
0 - 40°	734	95.5
0 - 60°	767	99.8
0 - 90°	769	100.0
90 - 180°	0	0.0

LUMINAIRE LIGHT OUTPUT AND EFFICACY

LED Light Engine	Luminaire Light Output	Luminaire Efficacy (lms/watt)	System Wattage	RX Light Output (90 min. run)
800 Lumens 90 CRI	646*	72*	9	423*
1000 Lumens 90 CRI	769	72	10	423*
1000 Lumens 80 CRI	799*	89*	9	515*
1200 Lumens 80 CRI	953*	95*	10	515*

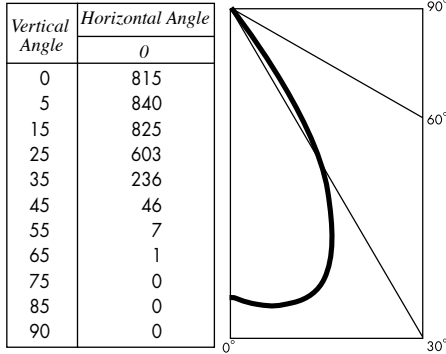
*estimated values

PHOTOMETRIC REPORT with 60° lens (tested per IESNA LM-79-2008)

UL Verification Services Report No. 11863545.11. Original test report furnished upon request.

Luminaire recessed LED round downlight with semi-specular clear aluminum reflector (NO DIFFUSER)
 Light Source Cree CXB1310 LED with 60° beam spread integral lens, 2700K CCT, 90 CRI, 1000 lumens
 Spacing Criteria 1.0

CANDLEPOWER DISTRIBUTION (Candela)



LUMINANCE DATA

Vertical Angle	Candelalm ²
45	14370
55	2524
65	465
75	31
85	48

ZONAL LUMEN SUMMARY

Zone	Lumens	% Fixture
0 - 40°	732	93.8
0 - 60°	779	99.9
0 - 90°	780	100.0
90 - 180°	0	0.0

LUMINAIRE LIGHT OUTPUT AND EFFICACY

LED Light Engine	Luminaire Light Output	Luminaire Efficacy (lms/watt)	System Wattage	RX Light Output (90 min. run)
800 Lumens 90 CRI	655*	73*	9	429*
1000 Lumens 90 CRI	780	72	10	429*
1000 Lumens 80 CRI	811*	90*	9	522*
1200 Lumens 80 CRI	967*	97*	10	522*

*estimated values

STANDARD DMV DRIVER INFORMATION (UL Class 2, dry and damp location)

Voltage	120	277
Input Watts (I08H/L10H/L10S/L12S)	9/10/9/10	9/10/9/10
Input Current (A) (I08H/L10H/L10S/L12S)	08/08/08/08	04/04/04/04
Output Current (mA)	350-700	350-700
Min. Power Factor	.99	.99
Operating Temperature Range (F)	-13 to 122	-13 to 122

LIGHT OUTPUT MULTIPLIER

LED Light Engine	Light Output Multiplier	RX Light Output Multiplier
800 Lumens 90 CRI	0.84*	.55
1000 Lumens 90 CRI	1	.55
1000 Lumens 80 CRI	1.04*	.67
1200 Lumens 80 CRI	1.24*	.67

*estimated values

REFLECTOR COLOR MULTIPLIERS

Slightly diffuse clear (V)	1
Fully diffuse clear (EC)	.90
Champagne gold clear (G)	1
Specular white (W)	.70
Black (B)	.40