

Project

Type



Date

Product Code

Designer

EPIC WAFER/3 AA

recessed shallow IC LED accent light

FULLY SUSTAINABLE - FULLY SUSTAINABLE - FULLY SUSTAINABLE - FULLY SUSTAINABLE - FULLY SUSTAINABLE - FULLY SUSTAINABLE - FULLY SUSTAINABLE



FEATURES

- **EPIC WAFER/3 AA is a 3" aperture LED accent light** designed for insulation contact (IC) and certified airtight under ASTM E283. **Recess depth is only 4 1/8"**.
- **Luminaire provides 365° rotation and 0°-30° angular adjustment.** Once focused, adjustment may be locked by a lever and a thumb nut.
- **Luminaire employs an internal 'twist and lock' lens** to produce an initial beamspread of either 12°, 20° or 36°. To allow beamspread to be changed in installed luminaires, internal lenses are available as accessories.
- **Luminaire is powered by one of a number of Cree Chip on board LED's.** See below for wattages and efficacies.
- **External reflectors are available in three clear natural aluminum colors** – semi-specular (C), slightly diffuse (V) or fully diffuse (EC) – as well as champagne gold, black Alzak® and specular white enamel. Other finishes are available on special order.
- **EPIC WAFER/3 AA includes a pair of residential mounting bars extendable to 20"** and designed for use in wood joists.
- **For more information, [click here](#).**

APPLICATIONS

Luminaire is listed for direct contact with insulation, certified airtight under ASTM E283, and suitable for damp location. Luminaire is prewired, suitable for use in a fire rated ceiling, and approved for #12 wire 75° C branch circuit wiring. Removal of the external reflector allows access to the LED module and junction box.

PRODUCT CODE

For complete product code, list basic unit and select one item from each following box.

Basic Unit W3IC-CLT-AA

Internal Lens *Choose one.*

12° initial beamspread - 12D
 20° initial beamspread - 20D
 36° initial beamspread - 36D

Light Source Output (Lumens)

800 lumens / CRI 90+ 2700K & 3000K only - L08H
 1000 lumens 2700K & 3000K only - L10H
 1000 lumens / CRI 80+ - L10S
 1200 lumens - L12S

Driver

dimmable to 1% by a 0-10V dimmer on 120 Or 277-volt service - DMV
 dimmable to 5% by either an incandescent or electronic low voltage dimmer only; 120-volt service only - DMP
 dimmable to 1% by a 2-wire Lutron compatible dimmer - DM1U
 dimmable to 1% SoftOn/FadeToBlack by a Lutron EcoSystem control - ECO-LU
 eldoLED 0-10V (Logarithmic) driver dimmable to 0.1% with a 0-10V dimmer - DVOELG
 eldoLED 0-10V (Linear) driver dimmable to 0.1% with a 0-10V dimmer - DVOELN
 eldoLED driver dimmable to 0.1% with DALI control system - DA0-EL

Light Color

2700 K - 27K
 3000 K - 30K
 3500 K - 35K
 4000 K - 40K

External Reflector Color and Trim

| | Overlap | Trim Flush* |
|------------------------|---------|-------------|
| Semi-specular Clear | COL | CTF |
| Slightly diffuse Clear | VOL | VTF |
| Fully diffuse Clear | ECOL | ECTF |
| Champagne Gold | GOL | GTF |
| Black | BOL | BTF |
| White | WOL | WTF |

Standard reflector flange continues reflector finish. White painted flanges and custom painted flanges are available on special order. Add WF (white flange) or CCF (custom color flange).

*Trim Flush reflector trim requires the use of a **plaster ring** Accessory (see below).

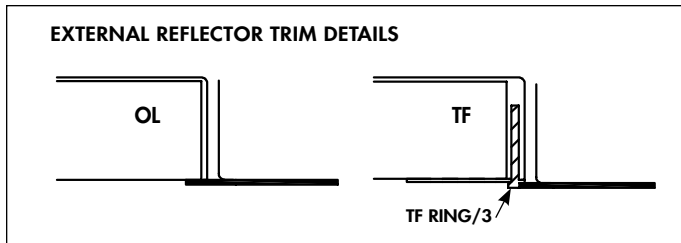
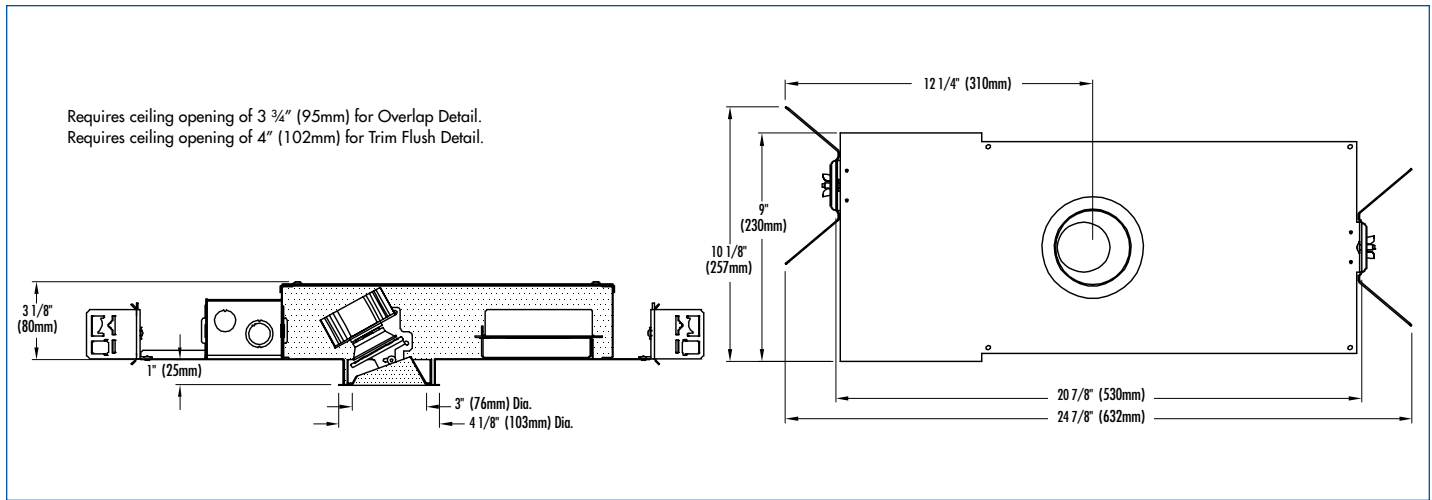
EXTRA INTERNAL LENSES *Specify as separate line items.*

12° internal lens CIT-LENS12-50
 20° internal lens CIT-LENS20-50
 36° internal lens CIT-LENS36-50

ACCESSORIES *Specify as a separate line item.*

Plaster ring allows use of 3 3/4" OD Trim Flush (-TF) reflector in sheetrock ceiling; 4" dia hole required TF RING/3





STANDARD DMV DRIVER INFORMATION (UL Class 2, dry and damp location)

| Voltage | 120 | 277 |
|---|-------------|-------------|
| Input Watts (L08H/L10H/L10S/L12S) | 9/10/9/10 | 9/10/9/10 |
| Input Current (A) (L08H/L10H/L10S/L12S) | 08/08/08/08 | 04/04/04/04 |
| Output Current (mA) | 350-700 | 350-700 |
| Min. Power Factor | .99 | .99 |
| Operating Temperature Range (F) | -13 to 122 | -13 to 122 |

LIGHT OUTPUT MULTIPLIER

| LED Light Engine | Light Output Multiplier | RX Light Output Multiplier |
|--------------------|-------------------------|----------------------------|
| 800 Lumens 90 CRI | 0.84* | .55 |
| 1000 Lumens 90 CRI | 1 | .55 |
| 1000 Lumens 80 CRI | 1.04* | .67 |
| 1200 Lumens 80 CRI | 1.24* | .67 |

*estimated values

REFLECTOR COLOR MULTIPLIERS

| | |
|----------------------------|-----|
| Slightly diffuse clear (V) | 1 |
| Fully diffuse clear (EC) | .90 |
| Champagne gold clear (G) | 1 |
| Specular white (W) | .70 |
| Black (B) | .40 |

– photometrics continued below –

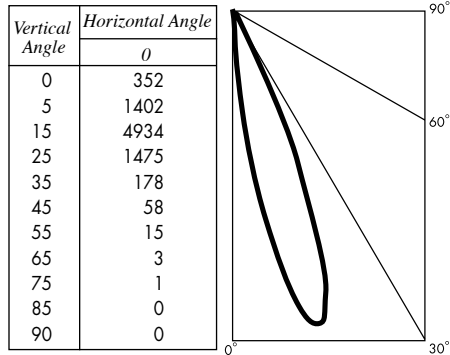


PHOTOMETRIC REPORT with 12° lens (tested per IESNA LM-79-2008)

Verification Services Report No. 11863545.06. Original test report furnished upon request.

Luminaire recessed LED round accent light with semi-specular clear aluminum reflector, LED aimed at 15° above vertical.
 Light Source Cree CXB1310 LED with 12° beam spread integral lens, 2700K CCT, 90 CRI, 1000 lumens

CANDLEPOWER DISTRIBUTION (Candela)



LUMINAIRE LIGHT OUTPUT AND EFFICACY

| LED Light Engine | Luminaire Light Output | Luminaire CBCP | Luminaire Efficacy (lms/watt) | System Wattage | RX Light Output (90 min. run) |
|--------------------|------------------------|----------------|-------------------------------|----------------|-------------------------------|
| 800 Lumens 90 CRI | 446* | 4145* | 50* | 9 | 292* |
| 1000 Lumens 90 CRI | 531 | 4934 | 52 | 10 | 292* |
| 1000 Lumens 80 CRI | 552* | 5131* | 61* | 9 | 356* |
| 1200 Lumens 80 CRI | 658* | 6118* | 66* | 10 | 356* |

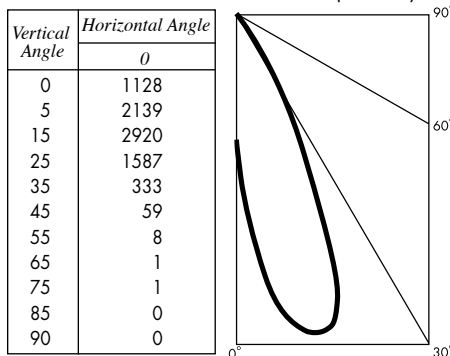
*estimated values

PHOTOMETRIC REPORT with 20° lens (tested per IESNA LM-79-2008)

Verification Services Report No. 11863545.07. Original test report furnished upon request.

Luminaire recessed LED round accent light with semi-specular clear aluminum reflector, LED aimed at 15° above vertical.
 Light Source Cree CXB1310 LED with 20° beam spread integral lens, 2700K CCT, 90 CRI, 1000 lumens

CANDLEPOWER DISTRIBUTION (Candela)



LUMINAIRE LIGHT OUTPUT AND EFFICACY

| LED Light Engine | Luminaire Light Output | Luminaire CBCP | Luminaire Efficacy (lms/watt) | System Wattage | RX Light Output (90 min. run) |
|--------------------|------------------------|----------------|-------------------------------|----------------|-------------------------------|
| 800 Lumens 90 CRI | 539* | 2453* | 60* | 9 | 353* |
| 1000 Lumens 90 CRI | 641 | 2920 | 62 | 10 | 353* |
| 1000 Lumens 80 CRI | 667* | 3037* | 74* | 9 | 430* |
| 1200 Lumens 80 CRI | 795* | 3621* | 80* | 10 | 430* |

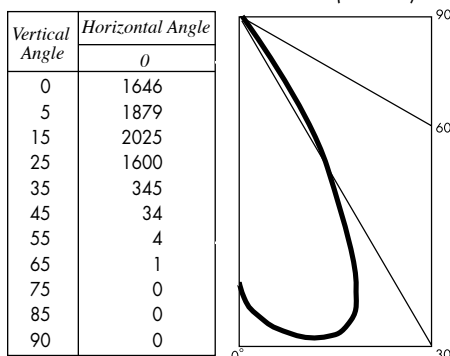
*estimated values

PHOTOMETRIC REPORT with 36° lens (tested per IESNA LM-79-2008)

Verification Services Report No. 11863545.08. Original test report furnished upon request.

Luminaire recessed LED round accent light with semi-specular clear aluminum reflector, LED aimed at 15° above vertical.
 Light Source Cree CXB1310 LED with 36° beam spread integral lens, 2700K CCT, 90 CRI, 1000 lumens

CANDLEPOWER DISTRIBUTION (Candela)



LUMINAIRE LIGHT OUTPUT AND EFFICACY

| LED Light Engine | Luminaire Light Output | Luminaire CBCP | Luminaire Efficacy (lms/watt) | System Wattage | RX Light Output (90 min. run) |
|--------------------|------------------------|----------------|-------------------------------|----------------|-------------------------------|
| 800 Lumens 90 CRI | 586* | 1701* | 65* | 9 | 384* |
| 1000 Lumens 90 CRI | 698 | 2025 | 67 | 10 | 384* |
| 1000 Lumens 80 CRI | 726* | 2106* | 81* | 9 | 468* |
| 1200 Lumens 80 CRI | 866* | 2511* | 87* | 10 | 468* |

*estimated values