

Project

Type



Date

Product Code

Designer

EPIC WAFER/3 WL

recessed IC LED wallwasher

SHALLOW - SHALLOW - SHALLOW - SHALLOW - SHALLOW - SHALLOW - SHALLOW - SHALLOW



FEATURES

- **EPIC WAFER/3 WL is a 3" aperture LED wallwasher** designed for insulation contact (IC) and certified airtight under ASTM E283. **Recess depth is only 4 1/8"**.
- **Luminaire is powered by one of a number of Cree Chip on board LEDs.** See below for wattages and efficacies.
- **The optical assembly consists of an internal reflector** and 40° x 70° glass spread lens.
- **External reflectors are available in three clear natural aluminum colors** – semi-specular (C), slightly diffuse (V) or fully diffuse (EC) – as well as champagne gold, black Alzak® and specular white enamel. Other finishes are available on special order.
- **Housing is constructed from 20-gauge electro-zinc, polyester-coated steel** in Edison Price Lighting's American factory. Heavy-gauge metals, an additional protective coating, and American manufacturing guarantees long-lasting durability.
- **EPIC WAFER/3 WL includes a pair of residential mounting bars extendable to 20"** and designed for use in wood joists.
- **For more information, [click here](#).**

APPLICATIONS

Luminaire is listed for direct contact with insulation, certified airtight under ASTM E283, and suitable for damp location. Luminaire is prewired, suitable for use in a fire rated ceiling, and approved for #12 wire 75° C branch circuit wiring. Removal of the external reflector allows access to the LED module and junction box.

Standard recessed round aperture, see [WAFER/3 WL](#)
 Standard recessed square aperture, see [WAFER SQUARE/3 WL](#)
 IC-rated square aperture, see [EPIC WAFER SQUARE/3 WL](#)

PRODUCT CODE

For complete product code, list basic unit and select one item from each following box.

Basic UnitW31C-CLT-WL

Light Source Output (Lumens)

800 lumens / CRI 90+ 2700K & 3000K only..... - L08H
 1000 lumens 2700K & 3000K only..... - L10H
 1000 lumens / CRI 80+ - L10S
 1200 lumens..... - L12S

Driver

dimmable to 1% by a 0-10V dimmer on 120 Or 277-volt service..... - DMV
 dimmable to 5% by either an incandescent or electronic low voltage dimmer only; 120-volt service only..... - DMP
 dimmable to 1% by a 2-wire Lutron compatible dimmer - DM1LU
 dimmable to 1% SoftOn/FadeToBlack by a Lutron EcoSystem control..... - ECO-LU
 eldoLED 0-10V (Logarithmic) driver dimmable to 0.1% with a 0-10V dimmer - DVOELG
 eldoLED 0-10V (Linear) driver dimmable to 0.1% with a 0-10V dimmer - DVOELN
 eldoLED driver dimmable to 0.1% with DALI control system - DA0-EL

Light Color

2700 K..... - 27K
 3000 K..... - 30K
 3500 K..... - 35K
 4000 K..... - 40K

External Reflector Color and Trim

	Overlap	Trim Flush*
Semi-specular Clear	COL	CTF
Slightly diffuse Clear	VOL.....	VTF
Fully diffuse Clear	ECOL.....	ECTF
Champagne Gold.....	GOL	GTF
Black.....	BOL.....	BTF
White.....	WOL.....	WTF

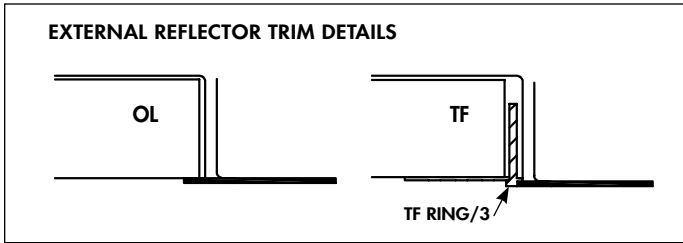
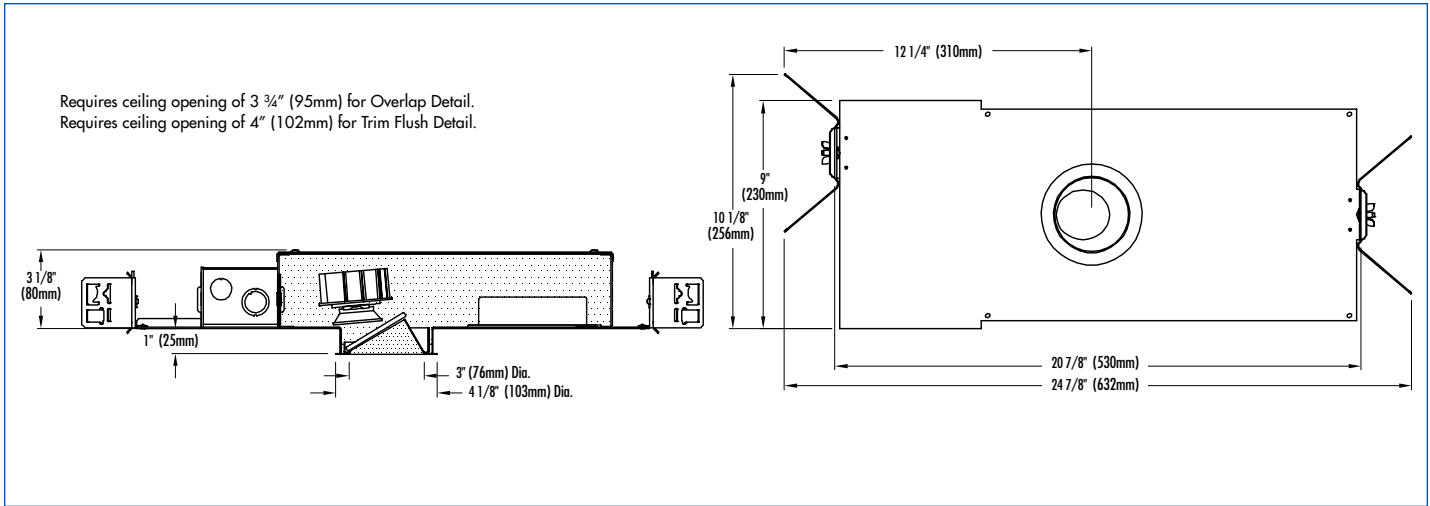
Standard reflector flange continues reflector finish. White painted flanges and custom painted flanges are available on special order. Add WF (white flange) or CCF (custom color flange).

*Trim Flush reflector trim requires the use of a **plaster ring** Accessory (see below).

ACCESSORIES *Specify as a separate line item.*

Plaster ring allows use of 3 3/4" OD Trim Flush (-TF) reflector in sheetrock ceiling; 4" dia hole required..... TF RING/3





– see below for photometric reports –



PHOTOMETRIC REPORT (tested per IESNA LM-79-2008)

UL Verification Services Report No. 11863545.13. Original test report furnished upon request.

Luminaire recessed LED lensed wallwasher with internal lens and semi-specular clear aluminum reflector
 Light Source Cree CXB1310 LED with 36° beam spread integral lens, 2700K CCT, 90 CRI, 1000 lumens
 Lamp Life rated 50,000 hours based on L70/B50 criteria. LM80 report LED manufacturer furnished upon request

WALLWASH INFORMATION 1000 LUMENS LED

Distance From Ceiling (Feet)	3' From Wall; 3' O.C.		3' 6" From Wall; 3' 6" O.C.	
	Below Fixture	Between Fixtures	Below Fixture	Between Fixtures
1	9	7	6	5
2	12	10	9	7
3	13	11	9	8
4	12	11	9	8
5	10	10	9	8
6	8	8	7	7
7	6	6	6	6
8	5	5	5	5
9	4	4	4	4
10	3	3	3	3

All vertical footcandles are initial values with no contribution from ceiling or floor reflectances. Computation performed with a total of ten wallwashers.

REFLECTOR COLOR MULTIPLIERS

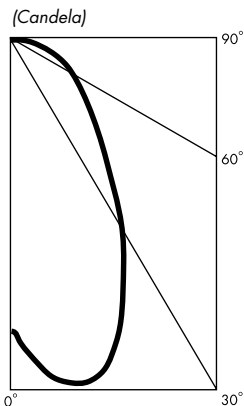
Slightly diffuse clear (V)	1
Fully diffuse clear (EC)	.90
Champagne gold clear (G)	1
Specular white (W)	.70
Black (B)	.40

LIGHT OUTPUT MULTIPLIER

LED Light Engine	Light Output Multiplier	RX Light Output Multiplier
800 Lumens 90 CRI	0.84*	.55
1000 Lumens 90 CRI	1	.55
1000 Lumens 80 CRI	1.04*	.67
1200 Lumens 80 CRI	1.24*	.67

*estimated values

CANDLEPOWER DISTRIBUTION



LUMINAIRE LIGHT OUTPUT AND EFFICACY

LED Light Engine	Luminaire Light Output	Luminaire Efficacy (lms/watt)	System Wattage	RX Light Output (90 min. run)
800 Lumens 90 CRI	306*	34*	9	200*
1000 Lumens 90 CRI	364	34	10	200*
1000 Lumens 80 CRI	378*	42*	9	244*
1200 Lumens 80 CRI	451*	45*	10	244*

*estimated values

STANDARD DMV DRIVER INFORMATION (UL Class 2, dry and damp location)

Voltage	120	277
Input Watts (L08H/L10H/L10S/L12S)	9/10/9/10	9/10/9/10
Input Current (A) (L08H/L10H/L10S/L12S)	08/08/08/08	04/04/04/04
Output Current (mA)	350-700	350-700
Min. Power Factor	.99	.99
Operating Temperature Range (F)	-13 to 122	-13 to 122