

# EPIC WAFER/4 DL

recessed shallow IC LED downlight



MADE IN USA

[Click here!](#)

FULLY SUSTAINABLE – FULLY SUSTAINABLE – FULLY SUSTAINABLE – FULLY SUSTAINABLE – FULLY SUSTAINABLE – FULLY SUSTAINABLE – FULLY SUSTAINABLE



## FEATURES

- EPIC WAFER/4 DL is a 4" aperture, high efficacy, LED downlight designed for insulation contact (IC) and certified airtight under ASTM E283. Recess depth is only 4 1/8".
- Luminaire employs an internal 'twist and lock' lens to produce an initial beam-spread of either 32° or 60°. To allow beam-spread to be changed in installed luminaires, internal lenses are available as accessories.
- Luminaire may be ordered standard (- DL) for maximum efficacy and spacing ratio - or - with a plastic diffuser (- DG), mounted atop reflector, to maximize beam uniformity and obscure appearance of LED.
- Luminaire is powered by one of a number of Cree Chip on board LED's. See below for wattages and efficacies.
- External reflectors are available in three clear natural aluminum colors – semi-specular (C), slightly diffuse (V) or fully diffuse (EC) – as well as champagne gold, black Alzak® and specular white enamel. Other finishes are available on special order.
- EPIC WAFER/4 DL includes a pair of residential mounting bars extendable to 20" and designed for use in wood joists.
- For more information, [click here](#).

## APPLICATIONS

Luminaire is listed for direct contact with insulation, certified airtight under ASTM E283, and suitable for damp location. Luminaire is prewired, suitable for use in a fire rated ceiling, and approved for #12 wire 75° C branch circuit wiring. Removal of the external reflector allows access to the LED module and junction box.

## PRODUCT CODE

For complete product code, list basic unit and select one item from each following box.

<b>Basic Unit</b>	
no diffuser .....	W4IC-CLT-DL
with diffuser .....	W4IC-CLT-DG

<b>Internal Lens</b> Choose one.	
32° initial beamspread .....	- 32D
60° initial beamspread .....	- 60D

<b>Light Source Output</b> (Lumens)	
800 lumens / CRI 90+ ..... 2700K & 3000K only.....	- L08H
1000 lumens ..... 2700K & 3000K only.....	- L10H
1200 lumens ..... 2700K & 3000K only.....	- L12H
1000 lumens / CRI 80+ .....	- L10S
1200 lumens .....	- L12S
1500 lumens .....	- L15S

<b>Driver</b>	
dimmable to 1% by a 0-10V dimmer on 120 Or 277-volt service.....	- DMV
dimmable to 5% by either an incandescent or electronic low voltage dimmer only; 120-volt service only.....	- DMP
dimmable to 1% by a Lutron (2-wire) incandescent dimmer .....	- DMH-U
dimmable to 1% by a Lutron EcoSystem control .....	- ECO-LU
eldoLED 0-10V (Logarithmic) driver dimmable to 0.1% with a 0-10V dimmer .....	- DVOELG
eldoLED 0-10V (Linear) driver dimmable to 0.1% with a 0-10V dimmer .....	- DVOELN
eldoLED driver dimmable to 0.1% with DALI control system .....	- DA0-EL
Moons' driver dimmable to 0.1% by DMX controllers .....	- DX0-MN

<b>Light Color</b>	
2700 K.....	- 27K
3000 K.....	- 30K
3500 K.....	- 35K
4000 K.....	- 40K

External Reflector Color & Trim	DL Model (no diffuser)		DG Model (with diffuser)	
	Overlap	Trim Flush*	Overlap	Trim Flush*
Semi-specular Clear	DL-COL	DL-CTF	DG-COL	DG-CTF
Slightly diffuse Clear	DL-VOL	DL-VTF	DG-VOL	DG-VTF
Fully diffuse Clear	DL-ECOL	DL-ECTF	DG-ECOL	DG-ECTF
Champagne Gold	DL-GOL	DL-GTF	DG-GOL	DG-GTF
Black	DL-BOL	DL-BTF	DG-BOL	DG-BTF
White	DL-WOL	DL-WTF	DG-WOL	DG-WTF

Standard reflector flange continues reflector finish. White painted flanges and custom painted flanges are available on special order. Add WF (white flange) or CCF (custom color flange).

\*Trim Flush reflector trim requires the use of a **plaster ring** Accessory (see below).

## EXTRA INTERNAL LENSES Specify as separate line items.

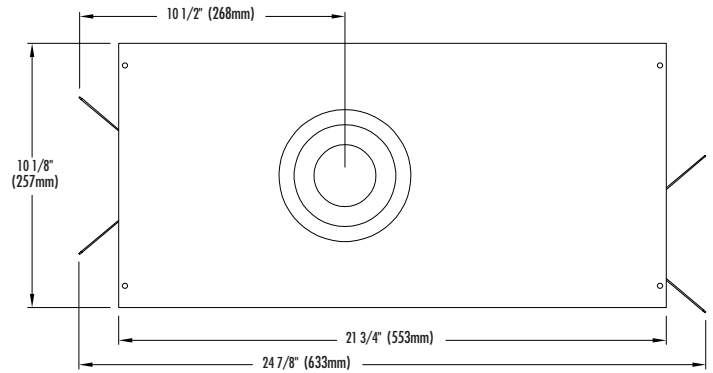
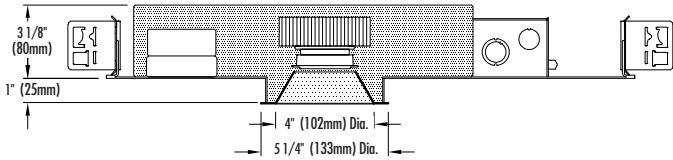
32° internal lens .....	CLT-LENS32-70
60° internal lens .....	CLT-LENS60-70

## ACCESSORIES Specify as a separate line item.

<b>Plaster ring</b> allows use of 4 7/8" OD Trim Flush (-TF) reflector in sheetrock ceiling; 5 3/16" dia hole required .....	TF RING/4
--	-----------



Requires ceiling opening of  $4 \frac{5}{16}''$  (125mm) for Overlap Detail.  
Requires ceiling opening of  $5 \frac{3}{16}''$  (132mm) for Trim Flush Detail.



### EXTERNAL REFLECTOR TRIM DETAILS



– see below for photometric reports –

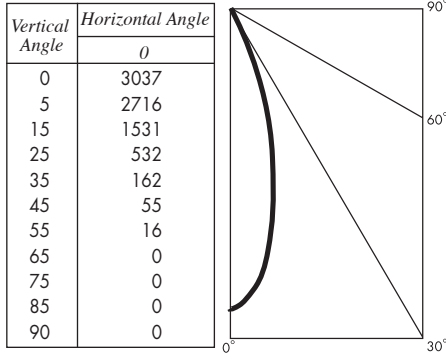


## PHOTOMETRIC REPORT with 32° lens (tested per IESNA LM-79-2008)

**UL** Verification Services Report No. 11827425.10. Original test report furnished upon request.

Luminaire ..... recessed LED round downlight with semi-specular clear aluminum external reflector (NO DIFFUSER)  
 Light Source ..... Cree CXB1310 LED with 32° beam spread integral lens, 2700K CCT, 90 CRI, 1200 lumens  
 Spacing Criteria ..... 0.5

### CANDLEPOWER DISTRIBUTION (Candela)



### LUMINANCE DATA

Vertical Angle	Candelalm <sup>2</sup>
45	9591
55	3427
65	32
75	0
85	0

### ZONAL LUMEN SUMMARY

Zone	Lumens	% Fixture
0 - 40°	1018	94.2
0 - 60°	1081	100.0
0 - 90°	1082	100.0
90 - 180°	0	0.0

### LUMINAIRE LIGHT OUTPUT AND EFFICACY

LED Light Engine	Luminaire Light Output	Luminaire Efficacy (lms/watt)	System Wattage	RX Light Output (90 min. run)
800 Lumens 90 CRI	703*	78*	9	454*
1000 Lumens 90 CRI	843*	84*	10	454*
1200 Lumens 90 CRI	1081	83	13	454*
1000 Lumens 80 CRI	876*	97*	9	551*
1200 Lumens 80 CRI	1038*	104*	10	551*
1500 Lumens 80 CRI	1297*	100*	13	551*

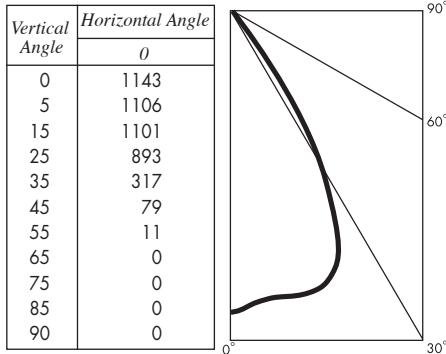
\*estimated values

## PHOTOMETRIC REPORT with 60° lens (tested per IESNA LM-79-2008)

**UL** Verification Services Report No. 11827425.09. Original test report furnished upon request.

Luminaire ..... recessed LED round downlight with semi-specular clear aluminum external reflector (NO DIFFUSER)  
 Light Source ..... Cree CXB1310 LED with 60° beam spread integral lens, 2700K CCT, 90 CRI, 1200 lumens  
 Spacing Criteria ..... 1.0

### CANDLEPOWER DISTRIBUTION (Candela)



### LUMINANCE DATA

Vertical Angle	Candelalm <sup>2</sup>
45	13830
55	2267
65	13
75	0
85	0

### ZONAL LUMEN SUMMARY

Zone	Lumens	% Fixture
0 - 40°	1017	93.0
0 - 60°	1093	100.0
0 - 90°	1093	100.0
90 - 180°	0	0.0

### LUMINAIRE LIGHT OUTPUT AND EFFICACY

LED Light Engine	Luminaire Light Output	Luminaire Efficacy (lms/watt)	System Wattage	RX Light Output (90 min. run)
800 Lumens 90 CRI	710*	79*	9	459*
1000 Lumens 90 CRI	853*	85*	10	459*
1200 Lumens 90 CRI	1093	84	13	459*
1000 Lumens 80 CRI	885*	98*	9	557*
1200 Lumens 80 CRI	1049*	105*	10	557*
1500 Lumens 80 CRI	1312*	101*	13	557*

\*estimated values

## STANDARD DMV DRIVER INFORMATION (UL Class 2, dry and damp location)

Voltage	120	277
Input Watts (L08H/L10H/L12H/L10S/L12S/L15S)	9/10/13/9/10/13	9/10/13/9/10/13
Input Current (A) (L08H/L10H/L12H/L10S/L12S/L15S)	08/08/11/08/08/11	03/04/05/03/04/05
Output Current (mA)	350-700	350-700
Min. Power Factor	.99	.99
Operating Temperature Range (F)	-13 to 122	-13 to 122

## LIGHT OUTPUT MULTIPLIER

LED Light Engine	Light Output Multiplier
800 Lumens 90 CRI	0.65*
1000 Lumens 90 CRI	0.78*
1200 Lumens 90 CRI	1
1000 Lumens 80 CRI	0.81*
1200 Lumens 80 CRI	0.96*
1500 Lumens 80 CRI	1.20*

\*estimated values

## REFLECTOR COLOR MULTIPLIERS

Slightly diffuse clear (V)	1
Fully diffuse clear (EC)	.90
Champagne gold clear (G)	1
Specular white (W)	.70
Black (B)	.40