

Project

Type



MADE IN USA

Click Here

Date

Product Code

Designer

EPIC WAFER/4 AA EE

recessed IC LED accent light

SHALLOW - SHALLOW - SHALLOW - SHALLOW - SHALLOW - SHALLOW - SHALLOW - SHALLOW



FEATURES

- **EPIC WAFER/4 AA EE is a 4" aperture, high efficacy, LED accent light (EE)** designed for insulation contact (IC) and certified airtight under ASTM E283. **Recess depth is only 4 5/8".**
- **Luminaire is powered by one of a number of Cree Chip on board LEDs.** See below for wattages and efficacies.
- **Luminaire provides 365° rotation and 0°-30° angular adjustment.** Once focused, adjustment may be locked by a lever and a thumb nut.
- **Luminaire employs an internal spring-loaded lens** to produce an initial beam-spread of either 12°, 20° or 36°. To allow beam-spread to be changed in installed luminaires, internal lenses are available as accessories.
- **External reflectors, cut at 15°, are available in three clear natural aluminum colors** – semi-specular (C), slightly diffuse (V) or fully diffuse (EC) – as well as champagne gold, black Alzak® and specular white enamel. Other finishes are available on special order.
- **Housing is constructed from 20-gauge electro-zinc, polyester-coated steel** in Edison Price Lighting's American factory. Heavy-gauge metals, an additional protective coating, and American manufacturing guarantees long-lasting durability.
- **EPIC WAFER/4 AA EE includes a pair of residential mounting bars extendable to 20"** and designed for use in wood joists.
- **For more information, [click here](#).**

APPLICATIONS

Luminaire is listed for direct contact with insulation, certified airtight under ASTM E283, and suitable for damp location. Luminaire is prewired, suitable for use in a fire rated ceiling, and approved for #12 wire 75° C branch circuit wiring. Removal of the external reflector allows access to the LED module and junction box.

For **greater shielding** of the light source, see [EPIC WAFER/4 AA ES](#)
Standard recessed round aperture, see [WAFER/4 AA EE](#)
Install-from-below, see [PRESTO WAFER/3 AA EE](#)

PRODUCT CODE

For complete product code, list basic unit and select one item from each following box.

Basic Unit W4IC-CLTAA

Internal Lens *Choose one.*

12° initial beam-spread - 12D
 20° initial beam-spread - 20D
 36° initial beam-spread - 36D

Light Source Output (Lumens)

800 lumens / CRI 90+ 2700K & 3000K only - L08H
 1000 lumens 2700K & 3000K only - L10H
 1200 lumens 2700K & 3000K only - L12H
 1000 lumens / CRI 80+ - L10S
 1200 lumens - L12S
 1500 lumens - L15S

Driver

dimmable to 1% by a 0-10V dimmer on 120 Or 277-volt service - DMV
 dimmable to 5% by either an incandescent or electronic low voltage dimmer only; 120-volt service only - DMP
 dimmable to 1% by a 2-wire Lutron compatible dimmer - DMI-LU
 dimmable to 1% SoftOn/FadeToBlack by a Lutron EcoSystem control - ECO-LU
 eldoLED 0-10V (Logarithmic) driver dimmable to 0.1% with a 0-10V dimmer - DV0ELG
 eldoLED 0-10V (Linear) driver dimmable to 0.1% with a 0-10V dimmer - DV0ELN
 eldoLED driver dimmable to 0.1% with DALI control system - DAO-EL
 Moons' driver dimmable to 0.1% by DMX controllers - DX0-MN

Light Color

2700 K - 27K
 3000 K - 30K
 3500 K - 35K
 4000 K - 40K

External Reflector Color and Trim

	Overlap	Trim Flush*
Semi-specular Clear	EE-COL	EE-CTF
Slightly diffuse Clear	EE-VOL	EE-VTF
Fully diffuse Clear	EE-ECOL	EE-ECTF
Champagne Gold	EE-GOL	EE-GTF
Black	EE-BOL	EE-BTF
White	EE-WOL	EE-WTF

Standard reflector flange continues reflector finish. White painted flanges and custom painted flanges are available on special order. Add WF (white flange) or CCF (custom color flange).

*Trim Flush reflector trim requires the use of a **plaster ring** Accessory (see below).

OPTIONS

Specify by adding to the basic unit.

0° cut **downlight reflector** - 0

EXTRA INTERNAL LENSES

Specify as separate line items.

12° internal lens CLT-LENS12-50
 20° internal lens CLT-LENS20-50
 36° internal lens CLT-LENS36-50

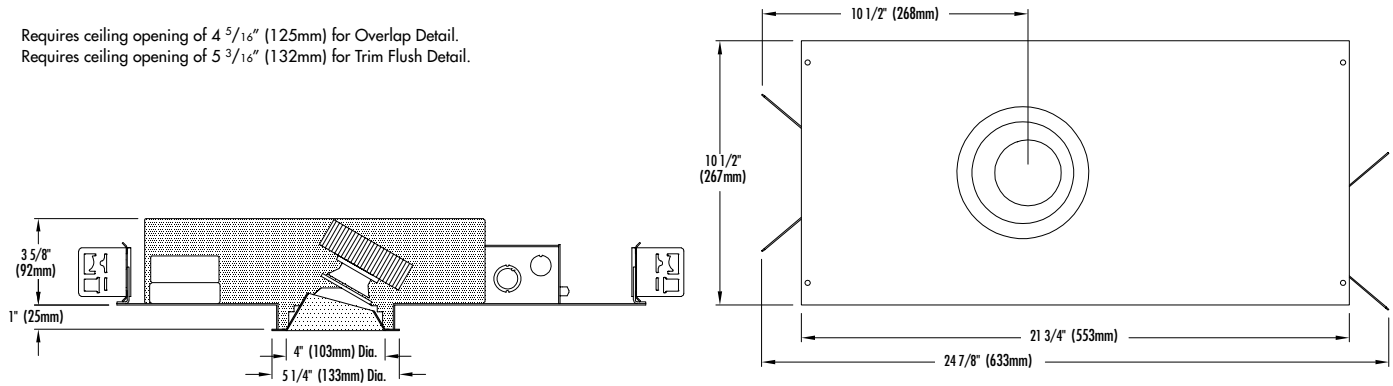
ACCESSORIES

Specify as a separate line item.

Plaster ring allows use of 4 7/8" OD Trim Flush (-TF) reflector in sheetrock ceiling; 5 3/16" dia hole required TF RING/4



Requires ceiling opening of 4 5/16" (125mm) for Overlap Detail.
 Requires ceiling opening of 5 3/16" (132mm) for Trim Flush Detail.



EXTERNAL REFLECTOR TRIM DETAILS



STANDARD DMV DRIVER INFORMATION (UL Class 2, dry and damp location)

Voltage	120	277
Input Watts <small>(L08H/L10H/L12H/L10S/L12S/L15S)</small>	9/10/13/9/10/13	9/10/13/9/10/13
Input Current (A) <small>(L08H/L10H/L12H/L10S/L12S/L15S)</small>	08/08/11/08/08/11	03/04/05/03/04/05
Output Current (mA)	350-700	350-700
Min. Power Factor	.99	.99
Operating Temperature Range (F)	-13 to 122	-13 to 122

LIGHT OUTPUT MULTIPLIER

LED Light Engine	Light Output Multiplier
800 Lumens 90 CRI	0.65*
1000 Lumens 90 CRI	0.78*
1200 Lumens 90 CRI	1
1000 Lumens 80 CRI	0.81*
1200 Lumens 80 CRI	0.96*
1500 Lumens 80 CRI	1.20*

*estimated values

REFLECTOR COLOR MULTIPLIERS

Slightly diffuse clear (V)	1
Fully diffuse clear (EC)	.90
Champagne gold clear (G)	1
Specular white (W)	.70
Black (B)	.40

– photometrics continued below –

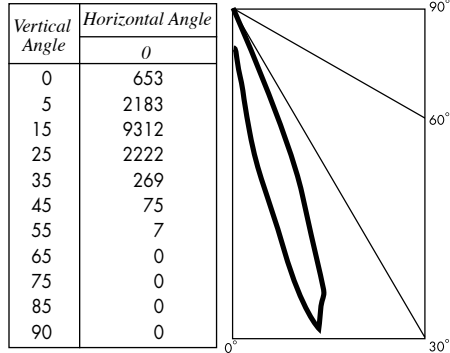


PHOTOMETRIC REPORT with 12° lens (tested per IESNA LM-79-2008)

Verification Services Report No. 11827425.01. Original test report furnished upon request.

Luminaire recessed LED round accent light with semi-specular clear aluminum external reflector; LED aimed at 15° above vertical.
 Light Source Cree CXB1310 LED with 12° beam spread integral lens, 2700K CCT, 90 CRI, 1200 lumens

CANDLEPOWER DISTRIBUTION (Candela)



LUMINAIRE LIGHT OUTPUT AND EFFICACY

LED Light Engine	Luminaire Light Output	Luminaire CBCP	Luminaire Efficacy (lms/watt)	System Wattage	RX Light Output (90 min. run)
800 Lumens 90 CRI	520	6053*	71*	9	414*
1000 Lumens 90 CRI	624	7263*	77*	10	414*
1200 Lumens 90 CRI	800	9312	62	13	414*
1000 Lumens 80 CRI	648	7543*	89*	9	503*
1200 Lumens 80 CRI	768	8940*	95*	10	503*
1500 Lumens 80 CRI	960	11174*	91*	13	503*

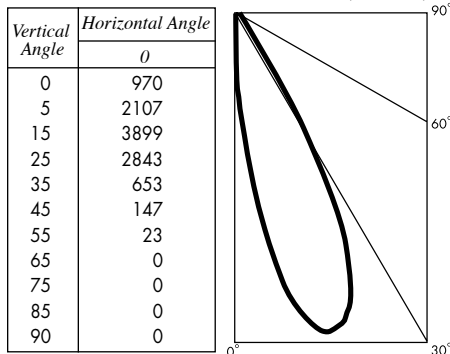
*estimated values

PHOTOMETRIC REPORT with 20° lens (tested per IESNA LM-79-2008)

Verification Services Report No. 11827425.03. Original test report furnished upon request.

Luminaire recessed LED round accent light with semi-specular clear aluminum external reflector; LED aimed at 15° above vertical.
 Light Source Cree CXB1310 LED with 20° beam spread integral lens, 2700K CCT, 90 CRI, 1200 lumens

CANDLEPOWER DISTRIBUTION (Candela)



LUMINAIRE LIGHT OUTPUT AND EFFICACY

LED Light Engine	Luminaire Light Output	Luminaire CBCP	Luminaire Efficacy (lms/watt)	System Wattage	RX Light Output (90 min. run)
800 Lumens 90 CRI	537*	2534*	60*	9	347*
1000 Lumens 90 CRI	645*	3041*	64*	10	347*
1200 Lumens 90 CRI	827	3899	63	13	347*
1000 Lumens 80 CRI	670*	3158*	74*	9	422*
1200 Lumens 80 CRI	794*	3743*	79*	10	422*
1500 Lumens 80 CRI	992*	4679*	76*	13	422*

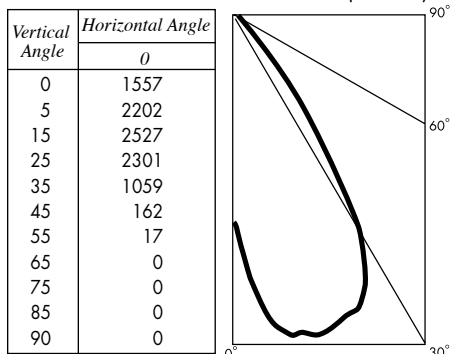
*estimated values

PHOTOMETRIC REPORT with 36° lens (tested per IESNA LM-79-2008)

Verification Services Report No. 11827425.05. Original test report furnished upon request.

Luminaire recessed LED round accent light with semi-specular clear aluminum external reflector; LED aimed at 15° above vertical.
 Light Source Cree CXB1310 LED with 36° beam spread integral lens, 2700K CCT, 90 CRI, 1200 lumens

CANDLEPOWER DISTRIBUTION (Candela)



LUMINAIRE LIGHT OUTPUT AND EFFICACY

LED Light Engine	Luminaire Light Output	Luminaire CBCP	Luminaire Efficacy (lms/watt)	System Wattage	RX Light Output (90 min. run)
800 Lumens 90 CRI	589*	1643*	65*	9	381*
1000 Lumens 90 CRI	707*	1971*	71*	10	381*
1200 Lumens 90 CRI	906	2527	70	13	381*
1000 Lumens 80 CRI	734*	2047*	82*	9	462*
1200 Lumens 80 CRI	870*	2426*	87*	10	462*
1500 Lumens 80 CRI	1087*	3032*	84*	13	462*

*estimated values