

EPIC WAFER SQUARE/3 DL

recessed shallow IC LED downlight



FULLY SUSTAINABLE – FULLY SUSTAINABLE – FULLY SUSTAINABLE – FULLY SUSTAINABLE – FULLY SUSTAINABLE – FULLY SUSTAINABLE – FULLY SUSTAINABLE



FEATURES

- EPIC WAFER SQUARE/3 DL is a 3" aperture LED downlight designed for insulation contact (IC) and certified airtight under ASTM E183. Recess depth is only 3 1/2" (housing depth of 2 1/2" plus a 1" throat).
- Luminaire is powered by Cree chip-on-board LED's providing CRI's of 80+ and 90+. See tables below for wattages and efficacies.
- Luminaire employs an internal 'twist and lock' lens to produce an initial beam-spread of either 32° or 60°. To allow beamspread to be changed in installed luminaires, internal lenses are available as accessories.
- Luminaire may be ordered with its external reflector capped with a prismatic lens (-PRS) to widen beam distribution, or a diffuser (-DIF) to maximize beam uniformity and obscure the appearance of the LED.
- External reflectors are available in four colors: a slightly diffuse clear natural aluminum (-VOL), champagne gold (-GOL), white (-WOL) or black (-BOL). Other finishes are available on special order.
- Luminaire includes a pair of residential mounting bars extendable to 20" and designed for use in wood joists.
- For more information, [click here](#).

APPLICATIONS

Luminaire is listed for direct contact with insulation, certified airtight under ASTM E283, and suitable for damp location. Luminaire is suitable for use in a fire rated ceiling. Removal of the external reflector allows access to the LED module, driver and junction box.

ENERGY STAR



Energy Star qualified under Luminaires Specification V2.0. See Energy Star website for model numbers included in listing. The L08H model is not qualified. On orders which require Energy Star labelling, add "-ESL" to the specified Product Code.

PRODUCT CODE

For complete product code, list basic unit and select one item from each following box.

Basic Unit WS3IC-CLT-DL

Internal Lens Choose one.

32° initial beamspread - 32D
60° initial beamspread - 60D

Light Source Output (Lumens)

800 lumens / CRI 90+ 2700K & 3000K only - L08H
1000 lumens 2700K & 3000K only - L10H
1000 lumens / CRI 80+ - L10S
1200 lumens - L12S

Driver

dimmable to 1% by a 0-10V dimmer on 120 Or 277-volt service - DMV
dimmable to 5% by either an incandescent or electronic low voltage dimmer only; 120-volt service only - DMP
dimmable to 1% by a Lutron (2-wire) incandescent dimmer - DMH-U
dimmable to 1% by a Lutron EcoSystem control - ECO-LU
eldoLED 0-10V (Logarithmic) driver dimmable to 0.1% with a 0-10V dimmer - DVOELG
eldoLED 0-10V (Linear) driver dimmable to 0.1% with a 0-10V dimmer - DVOELN
eldoLED driver dimmable to 0.1% with DALI control system - DA0-EL

Light Color

2700 K - 27K
3000 K - 30K
3500 K - 35K
4000 K - 40K

External Reflector Color & Trim	PRS Prismatic Lens	DIF Diffuse Lens
Slightly diffuse clear	PRS-VOL	DIF-VOL
Champagne Gold	PRS-GOL	DIF-GOL
White	PRS-WOL	DIF-WOL
Black	PRS-BOL	DIF-BOL

Standard reflector flange continues reflector finish. White painted flanges and custom painted flanges are available on special order. Add WF (white flange) or CCF (custom color flange).

OPTIONS Specify by adding to the basic unit.

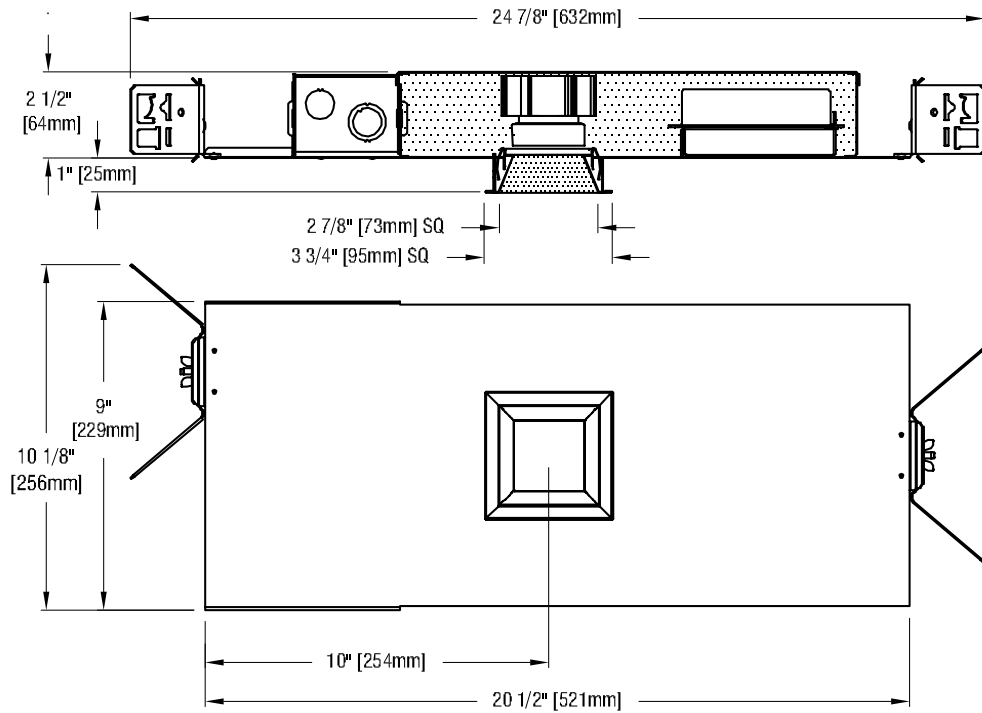
Energy Star labelling available on some models; see the Energy Star info 'box' on this page - ESL

EXTRA INTERNAL LENSES Specify as separate line items.

32° internal lens CLT-LENS32-70
60° internal lens CLT-LENS60-70



Requires ceiling opening of 3 5/16" (84mm) square.



STANDARD DMV DRIVER INFORMATION (UL Class 2, dry and damp location)

Voltage	120	277
Input Watts <small>(L08H/L10H/L10S/L12S)</small>	9/10/9/10	9/10/9/10
Input Current (A) <small>(L08H/L10H/L10S/L12S)</small>	08/08/08/08	04/04/04/04
Output Current (mA)	220-270	220-270
Min. Power Factor	.99	.99
Operating Temperature Range (F)	-13 to 122	-13 to 122

LIGHT OUTPUT MULTIPLIER

LED Light Engine	Light Output Multiplier
800 Lumens 90 CRI	0.84*
1000 Lumens 90 CRI	1
1000 Lumens 80 CRI	1.04*
1200 Lumens 80 CRI	1.24*

*estimated values

REFLECTOR COLOR MULTIPLIERS

Slightly diffuse clear (V)	1
Champagne Gold (G)	1
Specular white (W)	.70
Black (B)	.40

– photometrics continued below –

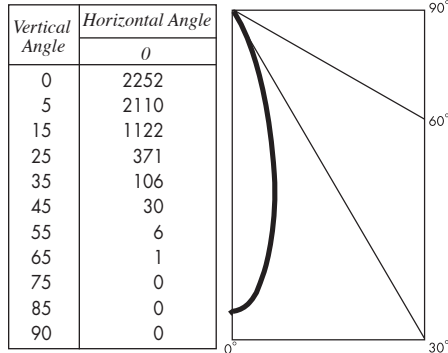


PHOTOMETRIC REPORT with 32° internal lens and prismatic external lens (PRS) (tested per IESNA LM-79-2008)

Prorated from Verification Services Report No. 12269958.09A. Original test report furnished upon request.

Luminaire recessed LED square downlight with semi-specular clear aluminum reflector and prismatic lens
 Light Source Cree CXB1310 LED with 32° beam spread integral lens, 2700K CCT, 90 CRI, 1000 lumens
 Spacing Criteria 0.5

CANDLEPOWER DISTRIBUTION (Candela)



LUMINANCE DATA

Vertical Angle	Candelalm ²
45	7368
55	1865
65	472
75	88
85	61

ZONAL LUMEN SUMMARY

Zone	Lumens	% Fixture
0 - 40°	746	95.2
0 - 60°	782	99.8
0 - 90°	783	100.0
90 - 180°	0	0.0

LUMINAIRE LIGHT OUTPUT AND EFFICACY

	Luminaire Light Output	Luminaire Efficacy (lms/watt)	System Wattage
LED Light Engine			
800 Lumens 90 CRI	659*	73*	9
1000 Lumens 90 CRI	784	75	10
1000 Lumens 80 CRI	815*	91*	9
1200 Lumens 80 CRI	972*	97*	10

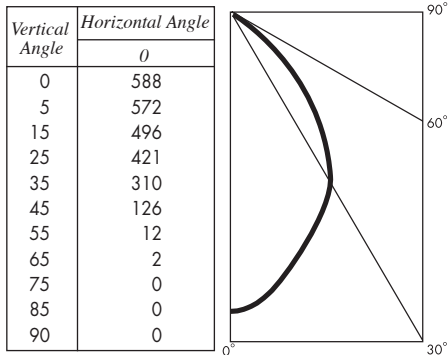
*estimated values

PHOTOMETRIC REPORT with 32° internal lens and external diffuser (DIF) (tested per IESNA LM-79-2008)

Prorated from Verification Services Report No. 12269958.10A. Original test report furnished upon request.

Luminaire recessed LED square downlight with semi-specular clear aluminum reflector and diffuser
 Light Source Cree CXB1310 LED with 32° beam spread integral lens, 2700K CCT, 90 CRI, 1000 lumens
 Spacing Criteria 0.99

CANDLEPOWER DISTRIBUTION (Candela)



LUMINANCE DATA

Vertical Angle	Candelalm ²
45	30,620
55	3602
65	888
75	249
85	170

ZONAL LUMEN SUMMARY

Zone	Lumens	% Fixture
0 - 40°	553	79.5
0 - 60°	693	99.5
0 - 90°	696	100.0
90 - 180°	0	0.0

LUMINAIRE LIGHT OUTPUT AND EFFICACY

	Luminaire Light Output	Luminaire Efficacy (lms/watt)	System Wattage
LED Light Engine			
800 Lumens 90 CRI	585*	65*	9
1000 Lumens 90 CRI	696	66	10
1000 Lumens 80 CRI	724*	80*	9
1200 Lumens 80 CRI	863*	86*	10

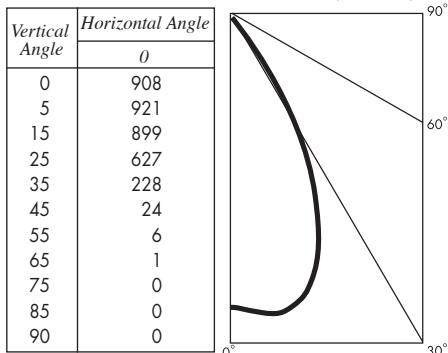
*estimated values

PHOTOMETRIC REPORT with 60° internal lens and prismatic external lens (PRS) (tested per IESNA LM-79-2008)

Prorated from Verification Services Report No. 12269958.07A. Original test report furnished upon request.

Luminaire recessed LED square downlight with semi-specular clear aluminum reflector and prismatic lens
 Light Source Cree CXB1310 LED with 60° beam spread integral lens, 2700K CCT, 90 CRI, 1000 lumens
 Spacing Criteria 0.95

CANDLEPOWER DISTRIBUTION (Candela)



LUMINANCE DATA

Vertical Angle	Candelalm ²
45	5897
55	1653
65	447
75	106
85	58

ZONAL LUMEN SUMMARY

Zone	Lumens	% Fixture
0 - 40°	772	94.3
0 - 60°	817	99.8
0 - 90°	818	100.0
90 - 180°	0	0.0

LUMINAIRE LIGHT OUTPUT AND EFFICACY

	Luminaire Light Output	Luminaire Efficacy (lms/watt)	System Wattage
LED Light Engine			
800 Lumens 90 CRI	687*	76*	9
1000 Lumens 90 CRI	818	78	10
1000 Lumens 80 CRI	851*	95*	9
1200 Lumens 80 CRI	1014*	101*	10

*estimated values