

PRESTINA™ THREE LED DL



MADE IN USA

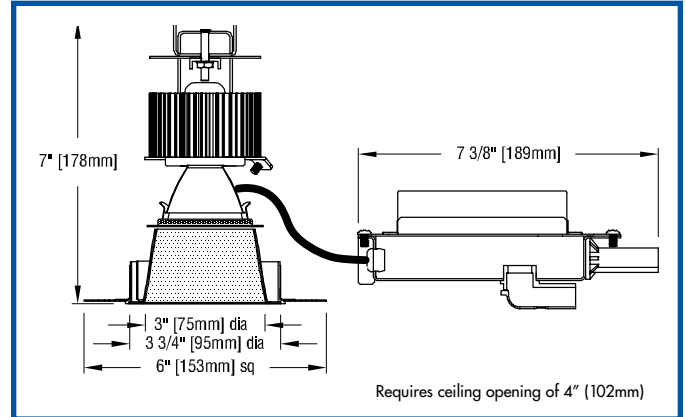
[Click here!](#)

recessed LED downlight trim flush remodeler

PRECISE OPTICS - PRECISE OPTICS - PRECISE OPTICS - PRECISE OPTICS - PRECISE OPTICS

FEATURES

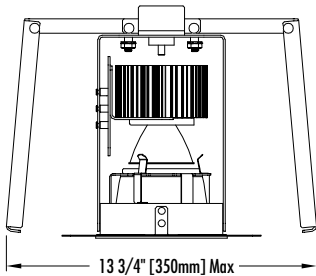
- Prestina Three LED DL is a 3" aperture LED remodeler downlight designed for installation from below in a sheet rock ceiling to achieve a flush reflector trim detail. Installation includes the application of drywall compound over the integral spackle screen to the rim of the integral plaster ring. Recess depth is 6 7/8" to 7 3/4", varying directly with ceiling thickness.
- Luminaire is powered by a Xicato® XTM (19mm) LED module, distinguished by extraordinary color consistency (within 1 x 2-step MacAdam ellipse). See tables on the next page for luminaire wattages and efficacies.
- Luminaire may be ordered with one of a number of drivers.
- Luminaire includes an internal reflector to produce a 36° or 54° beam-spread. To allow beamspread to be changed after installation, internal reflectors are also available as accessories.
- **Reflectors** are available in two clear natural aluminum colors – slightly diffuse (V) or fully diffuse (EC) – as well as champagne gold or black Alzak®. Other finishes are available on special order. A LightPlate trim (see next page) may be used instead of a reflector.
- Luminaire includes, within its reflector assembly, a holder permitting the use of one of a number of **Optical Accessories** including spread lenses and color filters. A 'beam smoother' is included.
- Frame is constructed from 14-gauge electro-zinc steel in Edison Price Lighting's American factory.
- For more information, [click here.](#)



APPLICATIONS

Installation locations should offer the following conditions:

- sheetrock ceiling material capable of supporting at least 16 pounds
- recess depth of 7 3/8" to 8 1/4", varying directly with ceiling thickness
- plenum free of joists or obstructions for as much as 6 7/8" to either side to accommodate 'legs' of frame and as much as 13" to one side to accommodate junction box, varying directly with ceiling thickness.



Luminaire is listed for Damp Location, RoHA compliant and prewired with a thermal protector. Removal of the reflector allows access to the driver and junction box.

Overlap trim model, see [PRESTO THREE LED DL](#)
 Standard recessed, see [THREE XTM DL](#)
 IC-rated, see [EPIC THREE XTM DL](#)
 For retrofit LED lamp, see [PRESTINA THREE MRE DL](#)

MODIFICATIONS AVAILABLE ▼ See next page

PRODUCT CODE

For complete product code, list basic unit and select one item from each following box.

Basic Unit.....	PST-XTM-3DL-TFR
Internal Reflector <i>Choose one.</i>	
36° flood.....	- 36D
54° wide flood	- 54D
Driver	
dimmable to 1% with a 0-10V dimmer on 120 or 277-volt service.....	- DMV
dimmable to 10% with either an incandescent or electronic low voltage (ELV) dimmer on 120-volt service only; not suitable for 700 lumen source (L07A)	- DMP
Light Source Output	
700 lumens /CRI 98 Artist	DMP driver not available L07A
1000 lumens /CRI 98 Artist	L10A
1000 lumens /CRI 83	L10S
1000 lumens /CRI 83 Vibrant	3000K only L10V
1300 lumens /CRI 98 Artist	L13A
1300 lumens /CRI 83	L13S
1300 lumens /CRI 83 Vibrant	3000K only L13V
1600 lumens /CRI 98 Artist	L16A
1600 lumens /CRI 83	L16S
1600 lumens /CRI 83 Vibrant	3000K only L16V
Voltage	120 or 277
Light Engine Color	
2700K	- 27K
3000K	- 30K
3500K	- 35K
4000K	- 40K
Reflector Color and Detail	
Semi-specular Clear	CTF
Slightly diffuse Clear	VTF
Fully diffuse Clear.....	ECTF
Champagne Gold	GTF
Black	BTF
Other reflector finishes available on special order.	
A LightPlate may be ordered instead of a standard reflector above (see next page).	
LightPlate Downlight Spot, white.....	DP3-TF
Custom painted trims for LightPlate are available on special order. Add -CC	

EXTRA REFLECTORS

Specify as a separate line item.

36° flood internal reflector	XTM-REF36-50
54° wide flood internal reflector	XTM-REF54-50

OPTICAL ACCESSORIES

▼ See next page

► Kits are available on special order for the field conversion of this luminaire to an accent light or wallwasher. Contact factory.



41-50 22ND STREET, LIC NY 11101 TEL 718.685.0700 FAX 718.786.8530 www.epl.com

©Copyright, Edison Price Lighting 2018

PR 7011 9:19

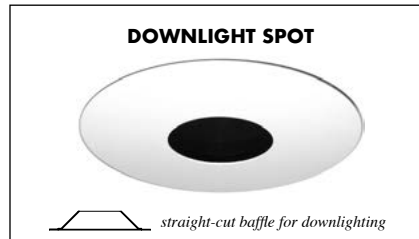
MODIFICATIONS AVAILABLE

Contact factory with quantity for pricing; orders may require shop drawing approval.

+DOD: luminaire suitable for **high humidity** environments; add +DOD to Product Code.

+MAR: reflector suitable for **marine** environments; add +MAR to Product Code.

LIGHTPLATE *LightPlate may be used instead of standard reflectors.*



OPTICAL ACCESSORIES *Specify as separate line*

All are 2 3/8" (60mm) diameter.

diffuse glass	DGS/2.375
prismatic lens (Solite)	PLS/2.375
55° spread lens	LENS/2.375
40° x 70° spread lens	LENS/2.375-4070
beam smoother (included with fixture)	DIF05/2.375
33% light reduction screen	SCR33/2.375
50% light reduction screen	SCR50/2.375

color filters

surprise pink	PNK/2.375
daylight blue	DAY/2.375
amber	AMB/2.375
blue	BLU/2.375
green	GRN/2.375
red	RED/2.375

See below for photometric reports

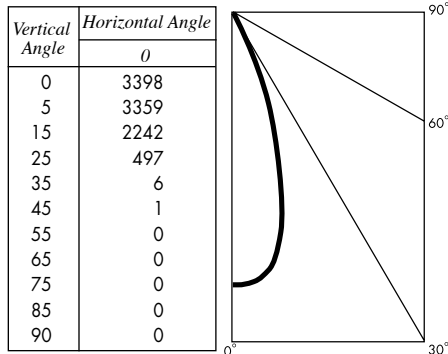


PHOTOMETRIC REPORT with 36° reflector (tested per IESNA LM-79-2008)

UL Verification Services Report No. 1188770. Original test report furnished upon request.

Luminaire recessed LED round downlight with semi-specular clear aluminum reflector
 Light Source one white Xicato XTM 19mm LES LED with 36° beam spread integral reflector, 3000K CCT, 80 CRI, 1600 lumens
 Spacing Criteria 0.6

CANDLEPOWER DISTRIBUTION (Candela)



LUMINANCE DATA

Vertical Angle	Candela/m²
45	389
55	52
65	0
75	0
85	0

ZONAL LUMEN SUMMARY

Zone	Lumens	% Fixture
0 - 40°	1167	99.9
0 - 60°	1168	100.0
0 - 90°	1168	100.0
90 - 180°	0	0.0
0 - 180°	1168	100.0

LUMINAIRE LIGHT OUTPUT AND EFFICACY

LED Light Engine	Luminaire Light Output	Luminaire Efficacy (lms/watt)	System Wattage
700 Lumens Artist	541*	45*	12
1000 Lumens Artist	718*	42*	17
1300 Lumens Artist	958*	46*	21
1600 Lumens Artist	1156*	53*	22
1000 Lumens standard & Vibrant	725*	60*	12
1300 Lumens standard & Vibrant	968*	57*	17
1600 Lumens standard & Vibrant	1168	61	19

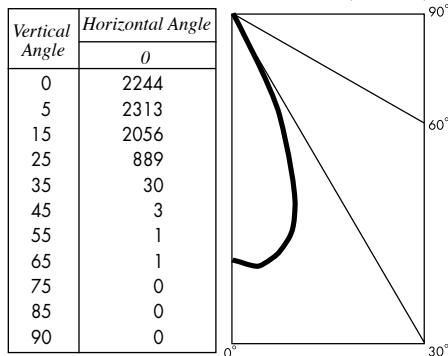
*estimated values

PHOTOMETRIC REPORT with 54° reflector (tested per IESNA LM-79-2008)

UL Verification Services Report No. 1188771. Original test report furnished upon request.

Luminaire recessed LED round downlight with semi-specular clear aluminum reflector
 Light Source one white Xicato XTM 19mm LES LED with 54° beam spread integral reflector, 3000K CCT, 80 CRI, 1600 lumens
 Spacing Criteria 0.8

CANDLEPOWER DISTRIBUTION (Candela)



LUMINANCE DATA

Vertical Angle	Candela/m²
45	929
55	496
65	327
75	0
85	0

ZONAL LUMEN SUMMARY

Zone	Lumens	% Fixture
0 - 40°	1230	99.7
0 - 60°	1233	99.9
0 - 90°	1234	100.0
90 - 180°	0	0.0
0 - 180°	1234	100.0

LUMINAIRE LIGHT OUTPUT AND EFFICACY

LED Light Engine	Luminaire Light Output	Luminaire Efficacy (lms/watt)	System Wattage
700 Lumens Artist	572*	48*	12
1000 Lumens Artist	759*	45*	17
1300 Lumens Artist	1012*	48*	21
1600 Lumens Artist	1222*	56*	22
1000 Lumens standard & Vibrant	766*	64*	12
1300 Lumens standard & Vibrant	1022*	60*	17
1600 Lumens standard & Vibrant	1234	65	19

*estimated values

STANDARD DMV DRIVER INFORMATION (UL Class 2, dry and damp location)

Voltage	120	277
Input Watts (L07A/L10A/L13A/L16A/L10S&V/L13S&V/L16S&V)	12/17/21/22/12/17/19	12/17/21/22/12/17/19
Input Current (A) (L07A/L10A/L13A/L16A/L10S&V/L13S&V/L16S&V)	.10/.14/18/18/08/10/14	.04/06/08/08/04/04/06
Output Current (mA)	350-700	350-700
Min. Power Factor	.99	.99
Operating Temperature Range (F)	-13 to 122	-13 to 122

LIGHT OUTPUT MULTIPLIER

LED Light Engine	Light Output Multiplier
700 Lumens Artist	.46*
1000 Lumens Artist	.61*
1300 Lumens Artist	.82*
1600 Lumens Artist	.99*
1000 Lumens standard & Vibrant	.62*
1300 Lumens standard & Vibrant	.83*
1600 Lumens standard & Vibrant	1.0

*estimated values

REFLECTOR COLOR MULTIPLIERS

Semi-specular clear (C)	1
Slightly diffuse clear (V)	.95
Fully diffuse clear (EC)	.88
Champagne gold clear (G)	.95
Black (B)	.49